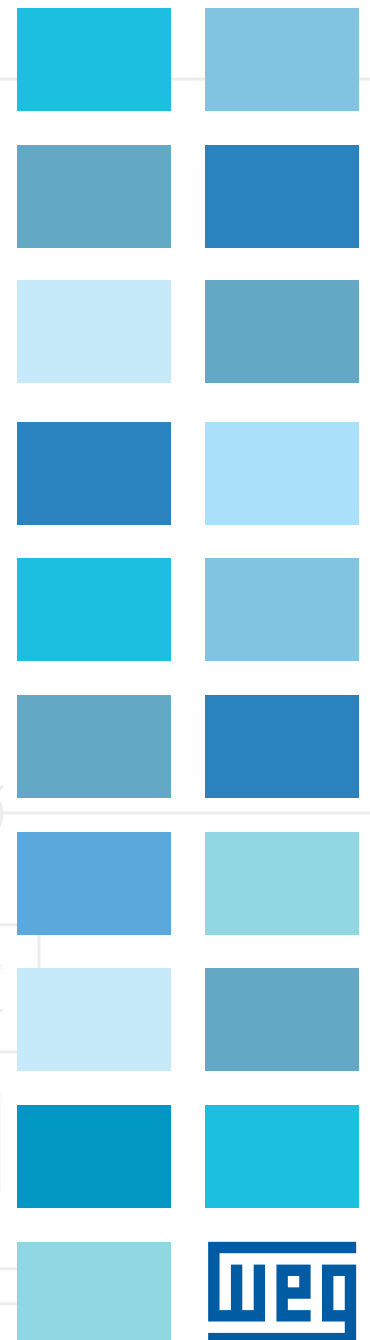


# SOFT-STARTER

## Arrancador Suave, Chave de Partida Soft- Starter



User's Guide  
Guia del Usuario  
Manual do usuário



## SUMMARY - English

---

1. Safety Instructions .....	03
2. What is the SSW-05 Plus Soft-Starter .....	03
3. How to identify the SSW-05 Plus .....	03
4. Technical Data .....	04
5. SSW-05 Plus Description .....	05
6. Table of Powers / Currents / Power Wiring (copper wire at 70°C (158°F)) .....	05
7. Table of Connector Tightening Torque .....	05
8. Capacity of the Power Supply Line .....	06
9. Table of Fuses and Contactors .....	06
10. Dimensions .....	06
11. SSW-05 Plus Installation and Connection .....	07
12. SSW-05 Plus Setting .....	08
13. Operation of the Digital Relay Outputs .....	10
14. Protections and Displays .....	11
15. Overload Protection .....	12
16. Reset .....	13
17. Faults and Possibles Causes .....	13
18. Solving the most frequent problems .....	15
19. SSW- Options and Accessories .....	15
20. Table of Parameters (for serial communication/HMI-SSW05-RS) .....	20
21. Error code and description (for serial communication / HMI-SSW05-RS) .....	21
22. Detailed Parameter Description (for serial communication/HMI-SSW05-RS) .....	21
23. Appendix for CE Conformance .....	28
24. EU Declaration of Conformity .....	29
Warranty SSW-05 Plus .....	30

# INSTALLATION AND OPERATION MANUAL

**Series:** SSW-05 Plus  
**Software Version:** 2.0X  
0899.4668 /5

**Note:** 1) The SSW-05 Plus electronic Soft-Starter has been designed to drive three-phase induction motors applied to light duty loads, such as centrifugal pumps, small fans and screw compressors. If the Soft-Starter shall be applied on heavy duty loads, please contact WEG.

2) The serial communication is available in the SSW-05 with software versions greater than V2.00. The manual of the serial communication (0899.4587) is available for download on the website [www.weg.com.br](http://www.weg.com.br).

With the serial communication is possible:

- a) to connect the Soft-Starter in an equipment network, like PC, PLC, and others;
- b) to use with SuperDrive software (417102505) for Microsoft Windows, allowing the SSW-05 programming and operation;
- c) to use the remote HMI (human machine interface) for SSW-05 programming and operation.

## 1. SAFETY INSTRUCTIONS:

**Always disconnect the power supply from the equipment before attempting any maintenance work.**

Personnel must review this entire Manual before attempting to install and operate the SSW-05 Plus Soft-Starter. Only qualified personnel should plan or implement the installation, start-up, setting, operation and maintenance of this equipment.

## 2. WHAT IS THE SSW-05 PLUS SOFT-STARTER:

The SSW-05 Plus Soft-Starter allows smooth start/stop of three-phase induction motors.

## 3. HOW TO IDENTIFY THE SSW-05 PLUS:

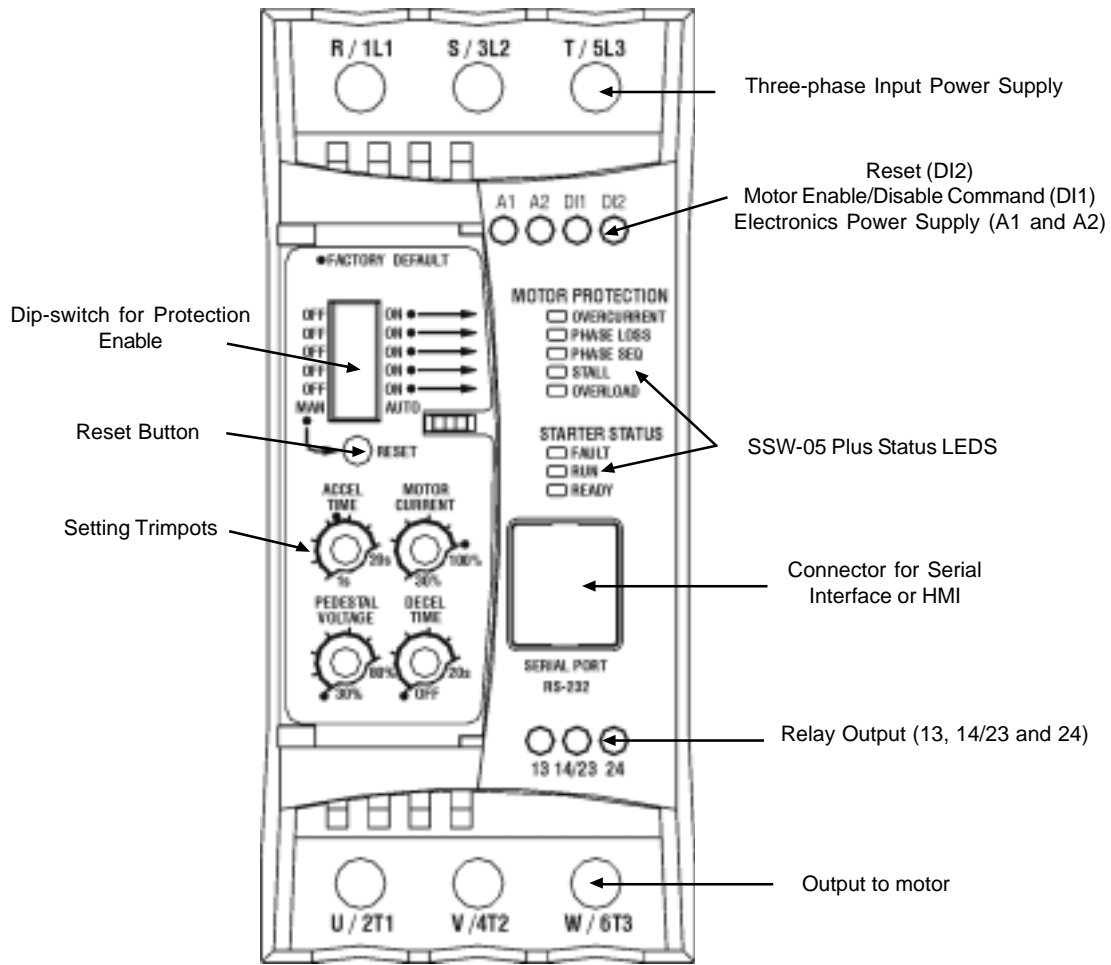
SSW05	0003	T	2246	P	P	Z
Soft-Starter WEG Series 05	Rated Output Current: 0003 = 3A 0010 = 10A 0016 = 16A 0023 = 23A 0030 = 30A 0045 = 45A 0060 = 60A 0085 = 85A	Three-phase Power Supply	Power Supply Voltage: 2246 = 220 to 460V 4657 = 460 to 575V	Manual Language: P= Portuguese E= English S= Spanish	SSW-05 Version: P= Plus	End of Code

Example: The code **SSW050010T2246PPZ** means a 10A SSW-05 Plus, three-phase power supply in the range from 220 to 460V, manual in Portuguese, PLUS version.

#### 4. TECHNICAL DATA:

Model		SSW-05 Plus
AC Input Power	Control Voltage (A1 and A2)	90 ... 250Vac 50/60 Hz (+/- 6Hz) 200 mA
	Power supply (R/1L1, S/3L2, T/5L3)	220 ...460 Vac (+10%,-15%) 50/60 Hz (+/- 5Hz) 3φ 460 ... 575 Vac (+10%,-15%) 50/60 Hz (+/- 5Hz) 3φ
Settings	Pedestal Voltage	30 ... 80% U <sub>N</sub>
	Acceleration Time	1 ... 20 s
	Deceleration Time	Off ... 20 s
	Motor Current	30 ... 100% I <sub>N</sub>
Diagnostics		Motor Overload Protection
		Incorrect Phase Sequence
		Phase Loss
		Immediate Overcurrent
		Locked Rotor
		Thyristor Overload
		Immediate Overload at By-pass Relay
		Overcurrent before By-pass
		Frequency out of Tolerance
		Internal By-pass Relay Contact is open
		Undervoltage at control voltage
Start Duty	Maximum Number of Starts per hour	4 ( 1 start every 15 minutes)
	Starting Cycle	3 x I <sub>N</sub> during 10 seconds
Digital Inputs (90...250Vac 6mA)		DI1 – Enable/Disable Function DI2 – Reset Function
Relay Outputs (1A 250Vac)		Operation Function (13 – 14/23) Full Voltage Function (14/23 – 24)
Communication		Serial Interface (RS232C)
Ambient	Temperature	0 ... 55°C (32...131°F)
	Humidity	5 ... 90% Non Condensing
	Altitude	0 ... 1000m (up to 13,200 ft (4000m) with 10% output current derating/1000m)
Degree of Protection		IP 00 (Chassis)
Pollution Degree (UL508)		2
Mounting	Fastening	DIN 35mm rail or M4 fastening bolts
	Enclosure	Molded plastic box
Standards	Electromagnetic Compatibility (EMC)	Class A (industrial use) IEC 60947-4-2 Standard
	Low Voltage	UL 508 / IEC 60947-4-2

**5. SSW-05 PLUS DESCRIPTION:**



**6. TABLE OF POWERS / CURRENTS / POWER WIRING (COPPER WIRE AT 70°C (158°F)):**

Model	Rated Current	Size	220V...240V*		380V...415V*		440V...480V*		525V**	575V*	Power Wiring mm <sup>2</sup> (AWG)
			HP	kW	HP	kW	HP	kW	kW	HP	
SSW-05.3	3A	1	0.75	0.55	1.5	1.1	1.5	1.1	1.5	2	0.75 (18)
SSW-05.10	10A		3	2.2	5	3.7	5	3.7	5.5	7.5	1.5 (16)
SSW-05.16	16A		5	3.7	7.5	5.5	10	7.5	11	10	4 (12)
SSW-05.23	23A		7.5	5.5	10	7.5	15	11	15	20	6 (10)
SSW-05.30	30A		10	7.5	15	11	20	15	18.5	25	10 (8)
SSW-05.45	45A	2	15	11	25	18.5	30	22	30	40	16 (6)
SSW-05.60	60A		20	15	30	22	40	30	45	50	25 (4)
SSW-05.85	85A		30	22	50	37	60	45	55	75	35 (2)

\* According to able 45.2, UL508.

\*\* Valid for Standard 4 pole WEG motors.

**7. TABLE OF CONNECTOR TORQUE SETTINGS:**

SSW-05 Plus Size	Torque of Electronics Terminal Nm (lb-in)	Torque-Power Terminals (R, S, T, U, V and W) Nm (lb-in)
1	0.5 (4.5)	3.0 (32.7)
2	0.5 (4.5)	5.5 (60.0)

### 8. CAPACITY OF THE POWER SUPPLY LINE:

The SSW-05 Plus is suitable to be used in circuits that can not supply more than  $X A_{RMS}$  (according to table below) symmetric Ampères, Y Volts maximum:

SSW-05 Plus Model	Y = 220- 575V X (kA)
3A	5
10A	5
16A	5
23A	5
30A	5
45A	5
60A	5
85A	10

### 9. TABLE OF FUSES AND CONTACTORS (SEE ITEM 11):

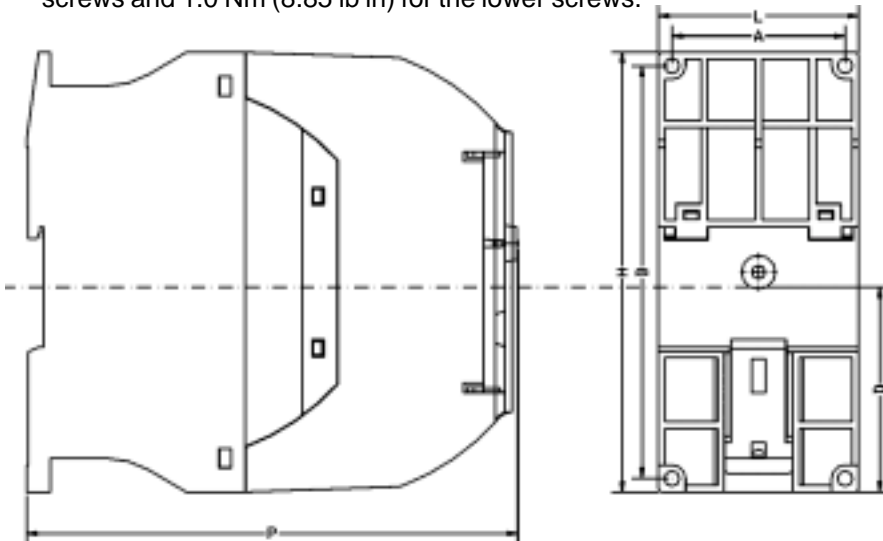
SSW-05 Plus Model	Contacteur (K1)	Fuse (F1, F2,F3)	Fuse (F11, F12, F21)
3A	CWM09	Type D 10A	Type D 6A
10A	CWM12	Type D 16A	
16A	CWM18	Type D 25A	
23A	CWM25	Type D 35A	
30A	CWM32	Type D 50A	
45A	CWM50	Type D 63A	
60A	CWM65	Type NH 100A	
85A	CWM95	Type NH 125A	

### 10. DIMENSIONS:

Size	Width L mm (in)	Height H mm (in)	Depth P mm (in)	Fixing A mm (in)	Fixing B mm (in)	Fixing D mm (in)	Fixing	Weight kg (Lb)
1	59 (2.32)	130 (5.11)	145 (5.70)	51 (2.00)	122 (4.80)	61 (2.40)	M4 screw/ Rail	0.74 (1.63)
2	79 (3.11)	185 (7.28)	172 (6.77)	71 (2.79)	177 (6.17)	99 (3.89)	M4 screw/ Rail	1.67 (3.68)

#### Notes:

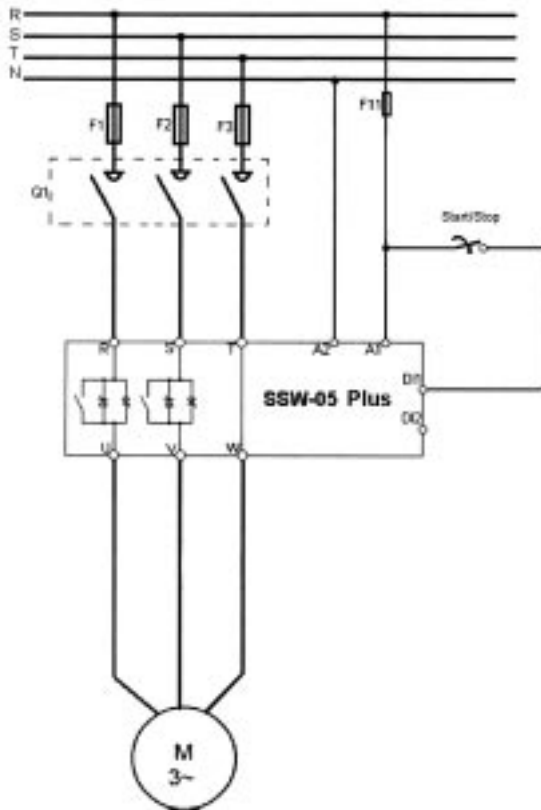
- 1) The SSW-05 Plus can be fixed on DIN 35mm rail.
- 2) In the case of fixing through M4 screw, the torque should not be greater than 0.2 Nm (1.77 lb in) for the upper screws and 1.0 Nm (8.85 lb in) for the lower screws.



## 11. SSW-05 PLUS INSTALLATION AND CONNECTION:

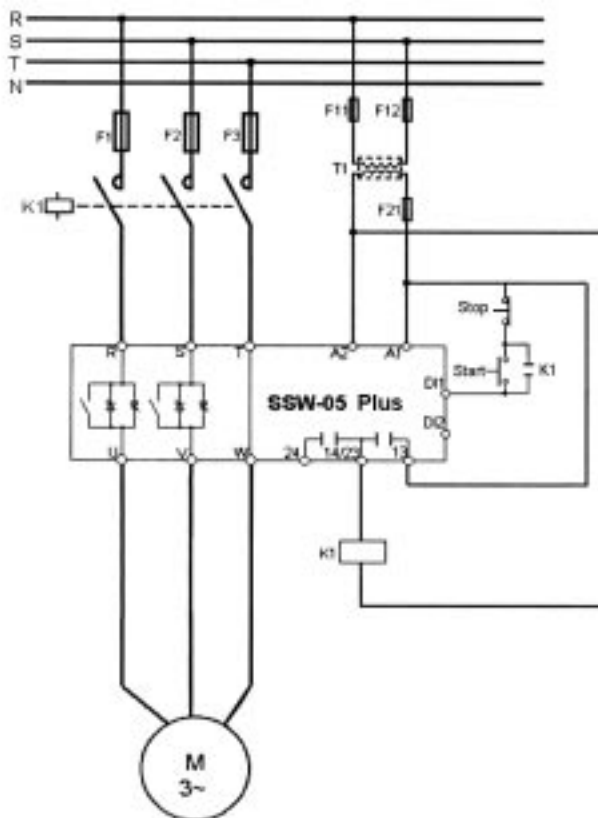
### 11.1. Simplified Start/Stop on 230V/400 line:

230/400V



Symbol	Description
	Fuse
	Disconnecting Switch (opens under load)
	Transformer
	N.O. switch (with holding)
	N.C. push button (with automatic return)
	N.O. push button (with automatic return)
	Contactor (coil)
	Three-phase induction motor

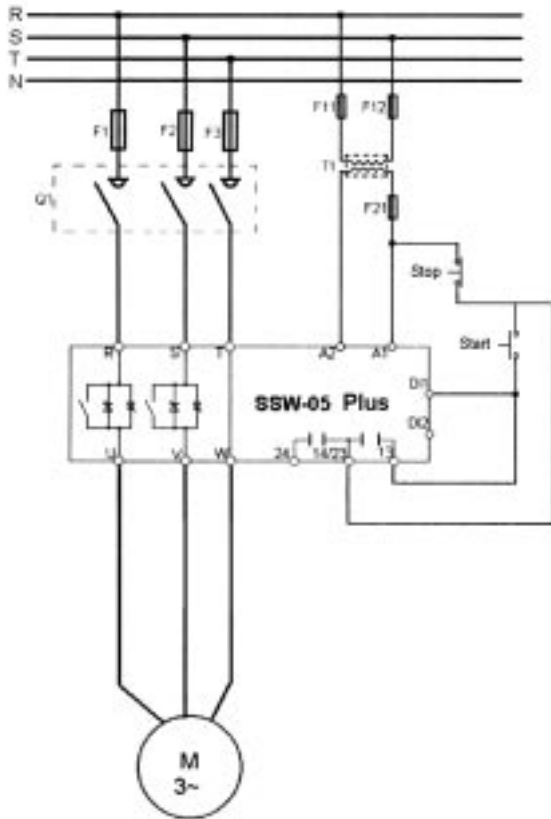
### 11.2. Starting and Stopping using Contactor and Push Buttons:



Symbol	Description
	Fuse
	Disconnecting Switch (opens under load)
	Transformer
	N.O. switch (with holding)
	N.C. push button (with automatic return)
	N.O. push button (with automatic return)
	Contactor (coil)
	Three-phase induction motor

The "T1" transformer is only required when the line voltage is out of the range allowed for the electronics supply (90 – 250Vac). For 400V, use neutral conductor (N) and one phase.

### 11.3. Start/Stop by using Push Button and Operation Function Relay of the SSW-05 Plus:



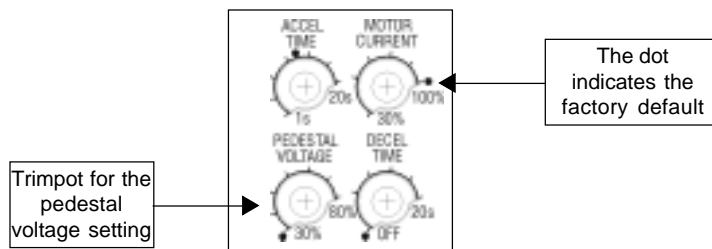
Symbol	Description
	Fuse
	Disconnecting Switch (opens under load)
	Transformer
	N.O. switch (with holding)
	N.C. push button (with automatic return)
	N.O. push button (with automatic return)
	Contactor (coil)
	Three-phase induction motor

The "T1" transformer is only required when the line voltage is out of the range allowed for the electronics supply (90 – 250Vac). For 400V, use neutral conductor (N) and one phase.

## 12. SSW-05 PLUS SETTING:

### 12.1. Pedestal Voltage Setting:

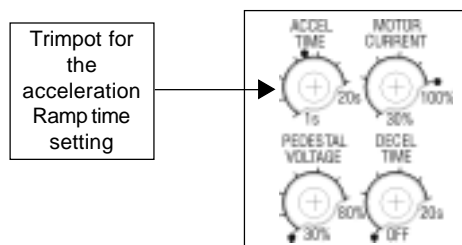
Set the pedestal voltage to a value that the motor starts to run as soon as run command is given by the SSW-05 Plus.



### 12.2. Setting of the acceleration ramp time:

Set the value so that the motor accelerates to the rated speed.

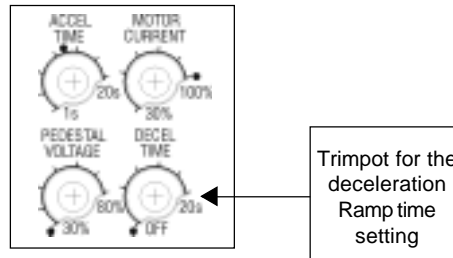
**Note: Please consider that in the cases where rated SSW-05 Plus current is equal to the rated motor current, the SSW-05 Plus can be operated, at maximum, during 10 seconds at 3 x I<sub>n</sub>.**





### 12.3. Setting of the deceleration ramp:

This setting should be used only for deceleration of pumps in order to reduce hydraulic shocks. This setting must be made in order to obtain the best pump performance.



### 12.4. Setting of the Motor Current:

This setting defines the ratio of the SSW-05 Plus current and the driven motor current. The setting of this value is very important, since it defines the protection of the motor driven by the SSW-05 Plus. The setting of this function has direct influence over the following motor protections: overcurrent, overload, locked rotor, phase loss.

Calculation example:

Used SSW-05 Plus: 30A

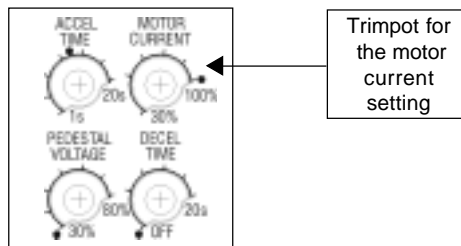
Used Motor: 25A

$$\text{Setting of the Motor Current} = \frac{I_{\text{Motor}}}{I_{\text{SSW-05 Plus}}}$$

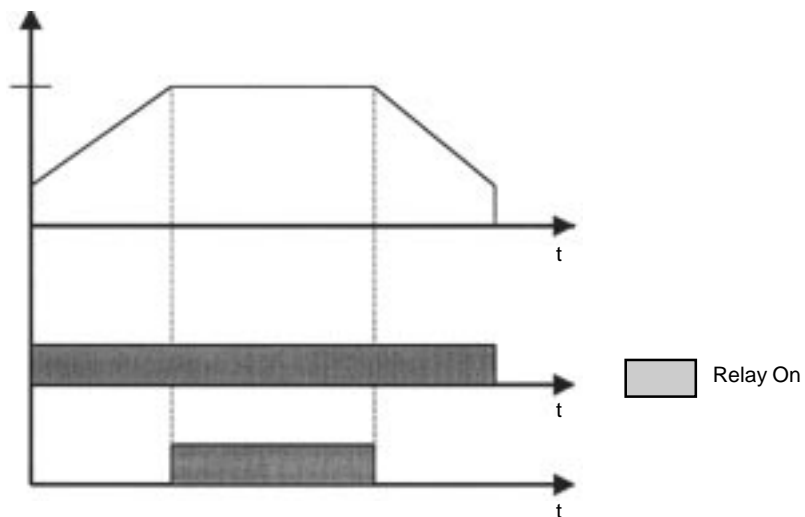
$$\text{Setting of the Motor Current} = \frac{25A}{30A}$$

$$\text{Setting of the Motor Current} = 0.833$$

Thus it must be set at 83%.



### 13. OPERATION OF THE DIGITAL RELAY OUTPUTS:



The relay of the Operation Function closes its N.O. contact (13-14/23) always when the SSW-05 Plus receives the enable command. This contact is open only at the end of the deceleration ramp (when it is set via trimpot) or when the SSW-05 Plus receives the disable command.

The relay of the Full Voltage Function closes the N.O. contact (14/23-24) always when the SSW-05 Plus applies 100% voltage to the driven motor. This contact opens when the SSW-05 Plus receives the disable command.

#### 14. PROTECTIONS AND DISPLAYS:

Protection/Display Description	Display	Activation
Overcurrent*	LED (overcurrent)	Monitoring is activated only when the SSW-05 Plus is in rated duty (100% voltage). It trips, when the motor current exceeds 3 times the value set with the trimpot (Motor Current) during a time longer than 1 second.
Phase Loss*	LED (Phase Loss)	It trips after 1s elapses with phase loss, both at the input and at the output (Motor). It trips when the current flowing through the SSW-05 is lower than 30% of the current set with trimpot (Motor Current).
Incorrect Phase Sequence*	LED (Phase Seq)	The error trips when in incorrect phase sequence.
Locked Rotor*	LED (Stall)	This protection trips during the transition between the end of the acceleration ramp time and the contact closure of the internal by-pass relays of the SSW-05 Plus, when the current flowing through the SSW-05 Plus is higher than or equal to 2 times the current set with trimpot (Motor Current).
Motor overload protection*	LED (Overload)	This protection monitors constantly the motor current and compares it with the value set by the trimpot (Motor Current). See Item 15.
Overcurrent of the SSW-05 Plus By-pass relay	LED (Internal Fault)	This protection monitors only when SSW-05 Plus is operating at full voltage (100%). It trips when the current becomes higher than 2 times the rated current of the SSW-05 Plus and is present for more than 1 second. The internal fault LED flashes 5 times intermittently.
Overcurrent before By-pass	LED (Internal Fault)	This protection trips during the transition between the end of the acceleration ramp time and the contact making of the internal by-pass relays of the SSW-05 Plus, when the current flowing through the SSW-05 Plus is higher or equal to 2 times the rated current of the SSW-05 Plus. The internal fault LED flashes 4 times intermittently.
Thyristor overload	LED (Internal Fault)	This protection monitors the current that flows through the SSW-05 Plus during the acceleration and deceleration ramp time, and compares it with the rated current of the SSW-05 Plus. Fig. 15.2 shows the trip time curves when thyristors are overloaded. The internal fault LED flashes 6 times intermittently.
Frequency out of Tolerance	LED (Internal Fault)	This protection trips when the line frequency is out of range (+/- 10%), when compared with the rated frequency (50 Hz or 60Hz). The internal fault LED flashes 1 time intermittently.
Internal By-pass relay contact is open	LED (Internal Fault)	This protection monitors, if the contact of the internal by-pass relay of the SSW-05 Plus is closed ( it operates only when the SSW-05 Plus is operated at full voltage (100%). The internal fault LED flashes 3 times intermittently.
Undervoltage in the Control Supply	LED (Internal Fault)	This protection monitors the control supply voltage of the electronics (A1 and A2) constantly and trip always when Vac voltage become lower than 80% of the rated voltage. The internal fault LED flashes 2 times intermittently.
Ready to operate	LED (Ready)	- ON: SSW-05 Plus has been powered, and is waiting for the enable command, or with full voltage at output. - Flashing: SSW-05 Plus in acceleration/deceleration ramp time.
In Operation	LED (Run)	It is On only when SSW-05 Plus is operating (motor is operating with full voltage).

\* These protections may be enabled/disabled through the respective dip-switches.

## 15. OVERLOAD PROTECTION:

### 15.1. Motor Electronic Overload Protection:

The motor electronic overload protection simulates the motor heating (Thermal Image). This heating simulation uses as input data the True RMS current. Fig. 15.1 shows the curve of the actuation time with motor under overload condition. The temperature class of this function is, according to the IEC 947-4-2, Class 10.

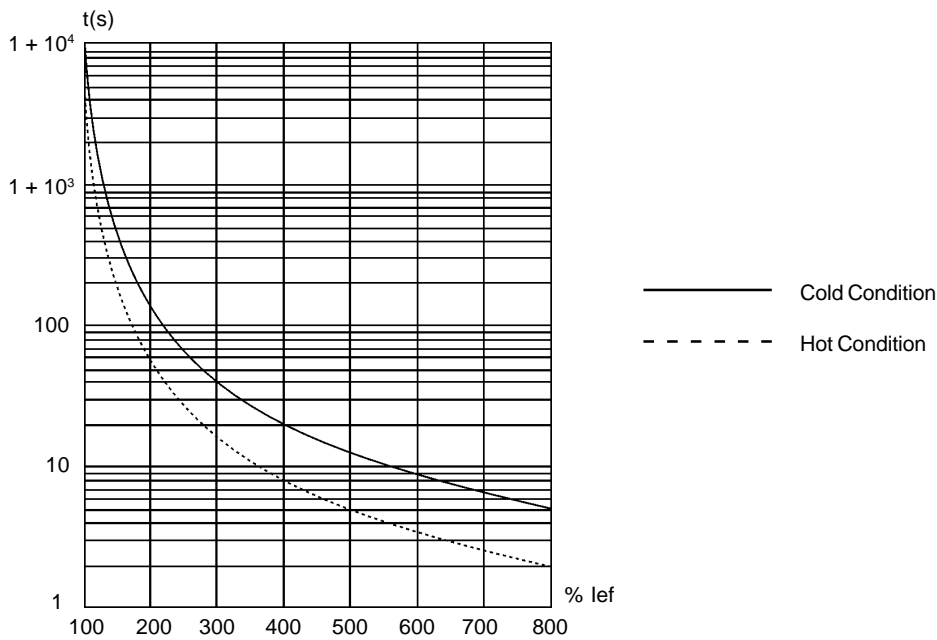


Figure 15.1 - Curve of the motor electronic overload protection.

Notes:

- 1) *When SSW-05 Plus electronics (A1 and A2) is without power control supply voltage, the thermal image is saved internally. When the power supply voltage is re-established again (A1 and A2), the value of the thermal image returns to the value present before the loss of the power control supply.*
- 2) *When the electronic overload protection is disabled via dip-switch, the thermal image is reset;*
- 3) *The reset of the electronic overload protection can be set to manual function (man). In this case the reset must be made via digital input 2 (DI2) or by means of the reset button. If the reset setting has been set to automatic (auto), the error condition will be reset automatically after the cooling of the equipment.*

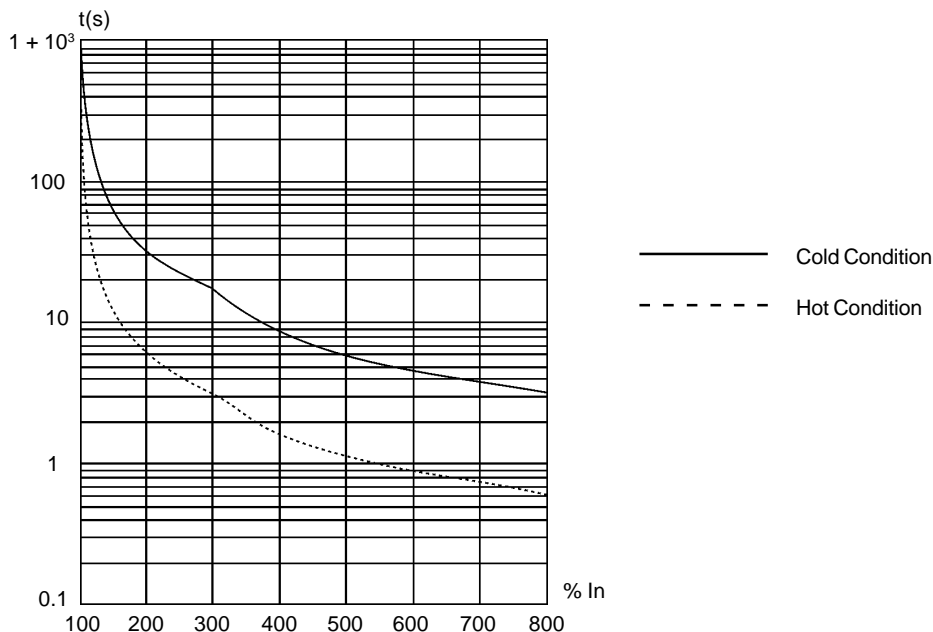


Figure 15.2 - Curve of the thyristor overload.

**Note:**

When the motor is running in full voltage, the cooling of the thyristor overload Thermal Image happens. This is because of the By-pass of the thyristors.

## 16. RESET:

The error condition can be reset through the reset button at the front of the SSW-05 Plus, or through a momentary contact closure (0.5 seconds) at DI2 (digital input for reset). Other alternative to reset the SSW-05 Plus is by switching On/Off the power control supply of the electronics (A1 and A2).

### Note:

The SSW-05 Plus also provides the automatic reset by enabling this function through the dip-switch (auto):

- 1) The automatic reset occurs after 15 minutes in the following fault conditions:
  - Overcurrent, Phase Loss, Locked Rotor, Immediate overcurrent of the SSW-05 Plus by-pass relay, Overcurrent before By-pass, Frequency out of tolerance, Contact of the internal By-pass relay is open and power control supply undervoltage.
- 2) For incorrect phase sequence there is no automatic reset.
- 3) For motor overload and thyristor overload there is a specific algorithm for the automatic reset time.

## VERY IMPORTANT!

Both digital input (DI2) and reset button of the SSW-05 Plus should be used only for the reset after a fault condition. If the reset function is used when the SSW-05 Plus is operating at rated voltage, the internal by-pass relays will open their contacts under load, thus jeopardizing their life.

## 17. FAULTS AND POSSIBLE CAUSES:

When a fault is detected, the Soft-Starter is disabled and the Fault Code is displayed by flashing LED's or on the readout display in the EXX form, where XX is the actual Fault Code.

To restart the Soft-Starter after a fault has occurred, the Soft-Starter must be reset. In general, the reset can be made as follows:



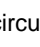
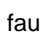








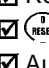

- disconnecting and reapplying the AC power (power-on reset);
- by pressing the key "RESET" on the SSW05-RS front panel (reset key);
- through the HMI-SSW05-RS by pressing the key  (manual reset);
- automatic reset by enabling the function through the dip-switch (auto) or though P106 and P220.
- via digital input: DI2.

Table below explains how to reset the fault and show the possible causes for each Fault Code.

Protection Description	Fault Display		Reset	Possibles Causes
	SSW-05 Front Panel	HMI-SSW05-RS (see chapter 19.3)		
Phase Loss	LED (Phase Loss)	E03	<input checked="" type="checkbox"/> Power-on <input checked="" type="checkbox"/> Reset key <input checked="" type="checkbox"/>  key <input checked="" type="checkbox"/> Auto-reset <input checked="" type="checkbox"/> DI2.	<input checked="" type="checkbox"/> Phase fault in the three-phase network <input checked="" type="checkbox"/> Short-circuit or thyristor fault <input checked="" type="checkbox"/> Motor is not connected <input checked="" type="checkbox"/> Motor connection is not correct
Motor Overload	LED (Overload)	E05	<input checked="" type="checkbox"/> Power-on <input checked="" type="checkbox"/>  key <input checked="" type="checkbox"/> Auto-reset	<input checked="" type="checkbox"/> "Motor Current" trimpot or P105 (motor current) has been set incorrectly. The set value is too low for the motor being used. <input checked="" type="checkbox"/> Load on the motor shaft too high. <input checked="" type="checkbox"/> Too much successive motor starts.
External Fault	Available only when HMI-SSW05-RS or serial communication is used (see chapter 19)	E06	<input checked="" type="checkbox"/> Power-on <input checked="" type="checkbox"/> Reset key <input checked="" type="checkbox"/>  key <input checked="" type="checkbox"/> DI2.	<input checked="" type="checkbox"/> The wiring at DI1 is open (not connected).
Error in the Copy Function	Available only when HMI-SSW05-RS is used (see chapter 19)	E10	<input checked="" type="checkbox"/> Power-on <input checked="" type="checkbox"/>  key	<input checked="" type="checkbox"/> Keypad cable misconnected. <input checked="" type="checkbox"/> Electrical noise in the installation (electromagnetic interference).

Protection Description	Fault Display		Reset	Possibles Causes
	SSW-05 Front Panel	HMI-SSW05-RS (see chapter 19.3)		
Keypad HMI Connection Fault	Available only when HMI-SSW05-RS is used (see chapter 19)	<b>E31</b>	<input checked="" type="checkbox"/> Power-on This fault disappears automatically when HMI reestablishes the communication with the Soft-Starter.	<input checked="" type="checkbox"/> Keypad cable misconnected. <input checked="" type="checkbox"/> Electrical noise in the installation (electromagnetic interference).
Locked Rotor	LED (Stall)	<b>E63</b>	<input checked="" type="checkbox"/> Power-on <input checked="" type="checkbox"/> Reset key <input checked="" type="checkbox"/>  key <input checked="" type="checkbox"/> Auto-reset <input checked="" type="checkbox"/> DI2.	<input checked="" type="checkbox"/> The time programmed for the acceleration ramp is shorter than the actual acceleration time.
Thyristor overload	LED (Internal Fault) flashes 6 times	<b>E64</b>	<input checked="" type="checkbox"/>  key <input checked="" type="checkbox"/> Auto-reset	<input checked="" type="checkbox"/> Load on the motor shaft too high <input checked="" type="checkbox"/> Too much successive starts.
Overcurrent	LED (Overcurrent)	<b>E66</b>	<input checked="" type="checkbox"/> Power-on <input checked="" type="checkbox"/> Reset key <input checked="" type="checkbox"/>  key <input checked="" type="checkbox"/> Auto-reset <input checked="" type="checkbox"/> DI2.	<input checked="" type="checkbox"/> Short-circuit between phases. <input checked="" type="checkbox"/> Motor shaft is locked.
Incorrect phase sequence	LED (Phase Seq)	<b>E67</b>	<input checked="" type="checkbox"/> Power-on <input checked="" type="checkbox"/> Reset key <input checked="" type="checkbox"/>  key <input checked="" type="checkbox"/> DI2.	<input checked="" type="checkbox"/> Network phase sequence inverted at the input.
Undervoltage in the Control Supply	LED (Internal Fault) flashes 2 times	<b>E70</b>	<input checked="" type="checkbox"/> Power-on <input checked="" type="checkbox"/> Reset key <input checked="" type="checkbox"/>  key <input checked="" type="checkbox"/> Auto-reset <input checked="" type="checkbox"/> DI2.	<input checked="" type="checkbox"/> Electronics supply lower than the required one.
Internal By-pass relay contact is open	LED (Internal Fault) flashes 3 times	<b>E71</b>	<input checked="" type="checkbox"/> Power-on <input checked="" type="checkbox"/> Reset key <input checked="" type="checkbox"/>  key <input checked="" type="checkbox"/> Auto-reset <input checked="" type="checkbox"/> DI2.	<input checked="" type="checkbox"/> SSW-05 is defective.
Overcurrent before By-pass	LED (Internal Fault) flashes 4 times	<b>E72</b>	<input checked="" type="checkbox"/> Power-on <input checked="" type="checkbox"/> Reset key <input checked="" type="checkbox"/>  key <input checked="" type="checkbox"/> Auto-reset <input checked="" type="checkbox"/> DI2.	<input checked="" type="checkbox"/> The time programmed for the acceleration ramp is shorter than the actual acceleration time.
Overcurrent of the SSW-05 By-pass relay	LED (Internal Fault) flashes 5 times	<b>E73</b>	<input checked="" type="checkbox"/> Power-on <input checked="" type="checkbox"/> Reset key <input checked="" type="checkbox"/>  key <input checked="" type="checkbox"/> Auto-reset <input checked="" type="checkbox"/> DI2.	<input checked="" type="checkbox"/> Short-circuit between phases. <input checked="" type="checkbox"/> Motor shaft is locked.
Frequency out of tolerance	LED (Internal Fault) flashes 1 time	<b>E75</b>	<input checked="" type="checkbox"/> Power-on <input checked="" type="checkbox"/> Reset key <input checked="" type="checkbox"/>  key <input checked="" type="checkbox"/> Auto-reset <input checked="" type="checkbox"/> DI2.	<input checked="" type="checkbox"/> The line frequency is out of range (+/- 10%), when compared with the rated frequency (50Hz or 60Hz).

**Note:**

To prevent the E31 fault, when HMI-SSW05-RS is applied, please avoid resetting the fault through the digital inputs (DI2) and through the reset key located on the SSW-05 front panel.

**18. SOLVING THE MOST FREQUENT PROBLEMS:**

Problem	Points to be checked	Corrective Actions
Motor does not runs	Wrong wiring	1. Check all power and control connections
	Power Supply Loss	1. Check the power supply (R, S, T) 2. Check the power control supply (A1, A2)
	Setting	1. Check if the settings are correct for the application.
	Fault	1. Check if the SSW-05 Plus is not in locking condition (refer to item 14 – Protections and Display).
Motor speed oscillates	Loose connections	1. Switch Off the SSW-05 Plus, switch off the power supply and tighten all connections. 2. Check all internal SSW-05 Plus connections.
Motor speed too high or too low	Motor Nameplate Data	1. Check if the motor has been selected according to the application.
Shocks during pump deceleration	Soft-Starter Setting	1. Reduce the time of the deceleration ramp time.
Shocks during pump acceleration	Soft-Starter Setting	1. Reduce the time of the acceleration ramp time. 2. Reduce the setting of the pedestal voltage.

**19. SSW-05 OPTIONS AND ACCESSORIES:**

This chapter describes the optional devices that can be used with the SSW-05. The table below shows a list of existing optional devices.

Name	Function	WEG Item Number
CAB-RS-1	Cable for the remote serial keypad - cable: 1m (3.28ft)	0307.7827
CAB-RS-2	Cable for the remote serial keypad - cable: 2m (6.56ft)	0307.7828
CAB-RS-3	Cable for the remote serial keypad - cable: 3m (9.84ft)	0307.7829
MIW-02	RS-232 to RS-485 conversion module	417100543
HMI-SSW05-RS	External serial Keypad HMI. For remote use with the CAB-RS cable (up to 3m (9.84ft)). Keypad Copy Function.	417100996

Table 19.1 - Available optional devices for the SSW-05.

**19.1. CAB-RS-1, CAB-RS-2, CAB-RS-3:**

Cables used to connect the Soft-Starter to the external serial interface keypad (HMI-SSW05-RS).

There are 3 cables options ranging in lengths from 1m (3.28ft) to 3m (9.84ft). The user must select among these lengths according to his requirement.

You must plan carefully the wiring location by separating it at least 10cm (3.9in) from the power wiring.



Figure 19.1 - Cable CAB-RS for HMI-SSW05-RS.

CABLE CONECTIONS			
DB9 PINS		RJ PINS	
1	Vcc	1	Vcc
2	RX	6	TX
3	TX	4	RX
5	GND	5	GND

### 19.2. MIW-02:

External module for conversion from RS-232 to RS-485: it allows the connection of the SSW-05 to a standard RS-485 line. So the Soft-Starter can participate in a multipoint line up to 1000m (3280ft) without the use of transducers. For more details about this connection, see the MIW-02 USER MANUAL (0899.4430), available for download on the website [www.weg.com.br](http://www.weg.com.br).

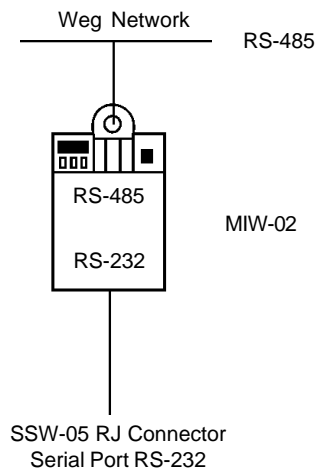


Figure 19.2 - Connection of the SSW-05 to a standard RS-485 communication network.

### 19.3. HMI-SSW05-RS:

Remote serial keypad: this interface is mounted external to the Soft-Starter and can be used in the following cases:

- applications that require a remote keypad;
  - installation on panel door;
  - when the keypad copy function is required for the transfer of parameter values from one Soft-Starter to another.
- It operates with the cable CAB-RS-X, which length must be chosen according to the needs (up to 9.84ft).

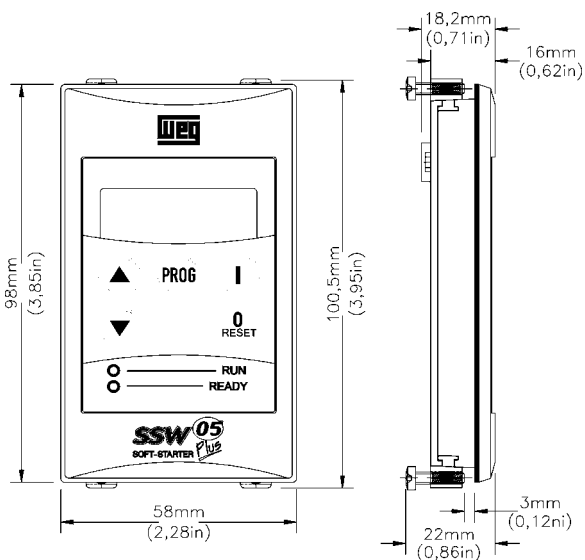


Figure 19.3 - Dimensions of the HMI-SSW05-RS.



### 19.3.1. HMI-SSW05-RS Description:

The HMI-SSW05-RS has a LED display with 4 digits of 7 segments, 2 status LEDs and 5 keys. The figure below shows the front view of the keypad.

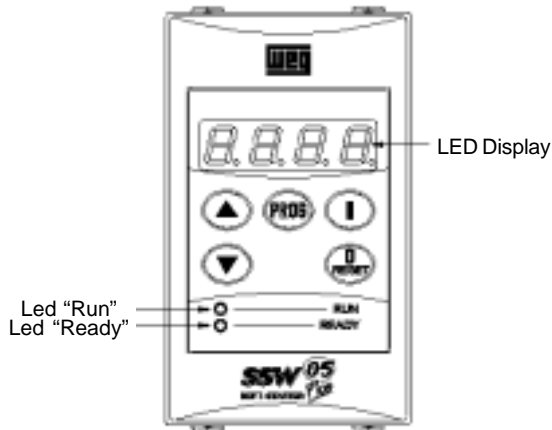


Figure 19.4 - Front view of the HMI-SSW05-RS.

#### Functions of the LED Display:

The LED display shows the parameter number and its value. It also shows the fault codes and status.

#### Functions of the “ready” and “run” LEDs:

- Ready- On: SSW-05 Plus has been powered, and is waiting for the enable command, or with full voltage at output.
- Flashing: SSW-05 in acceleration or deceleration ramp time.
- Run - It is On only when SSW-05 is operating (motor is operating with full voltage).

#### Basic Functions of the Keys:

- Enable the Soft-Starter (Start);
- Disable the Soft-Starter (Stop). Also resets the Soft-Starter after a fault has occurred;
- Toggles the LED display between parameter number and its value (number/value);
- Increases the parameter number or the parameter value.
- Decreases the parameter number or the parameter value.

#### Note:

In the occurrence of errors when using an HMI-SSW05-RS, the reset of errors must be done through the key . Reset through the key present in the frontal of the Soft-Starter causes loss of communication of the HMI, resulting in E31. To re-establish the communication between the HMI and the Soft-Starter it is necessary to detach and to reconnect the serial cable, or else to power down and to power up the Soft-Starter again.

### 19.3.2. Use of the keypad:

The keypad is used for programming and operating the SSW-05, allowing the following functions:

- indication of the Soft-Starter status and operation variables;
- fault indication and diagnostics;
- viewing and programming parameters;
- operation of the Soft-Starter (Keys and ).

### 19.3.3. Signaling/Indications on the HMI-SSW05-RS Display:

Soft-Starter Status:



Soft-Starter is ready to be started.



Soft-Starter is in fault condition. The code is flashing. In our example, the fault message is E03 (Phase Loss).



Soft-Starter is executing the function "Load factory setting (P204)"

**Note:**

The display also flashes, besides the fault condition, in the following condition:

- ☑ Attempt to change parameter with incorrect password (P000 – Access Parameter);
- ☑ Attempt to change not permitted parameter. Example: Parameters that cannot be changed with running motor.

**19.3.4. Parameter Viewing and Programming:**

All SSW-05 settings can be made through parameters. The parameter are shown on the display by the letter P followed by a number:

Example (P264):



264 = parameter number

Each parameter is associated with a numerical value (parameter value), that corresponds to the selected option among the available ones for this parameter.

The parameter values define the Soft-Starter programming or the value of a variable (e.g.: current, voltage). For Soft-Starter programming you should change the parameter content(s).

ACTION	HMI DISPLAY	DESCRIPTION
Turn ON the Soft-Starter		Soft-Starter is ready to be operated
Press the  key		
Use the keys  and  to reach P264		Select the desired parameter
Press the  Key		Numerical value associated with the parameter <sup>(2)</sup>
Use the keys  and		Set the new desired value <sup>(2)</sup>
Press the  Key		<sup>(1)</sup> <sup>(2)</sup>

**Note:**

- (1) By pressing the key after the reprogramming, the new programmed value will be stored automatically and will remain stored until a new value is programmed.
- (2) To allow the reprogramming of any parameter (except for P000) it is required to set P000 = 5. Otherwise you can only read the parameter values, but not reprogram them. For more details, see P000 detailed description.

### 19.3.5. HMI-SSW05-RS Installation:

The HMI-SSW05-RS can be installed directly on the panel door 1 to 3mm (0.04in to 0.12in), as shown in the figure below:

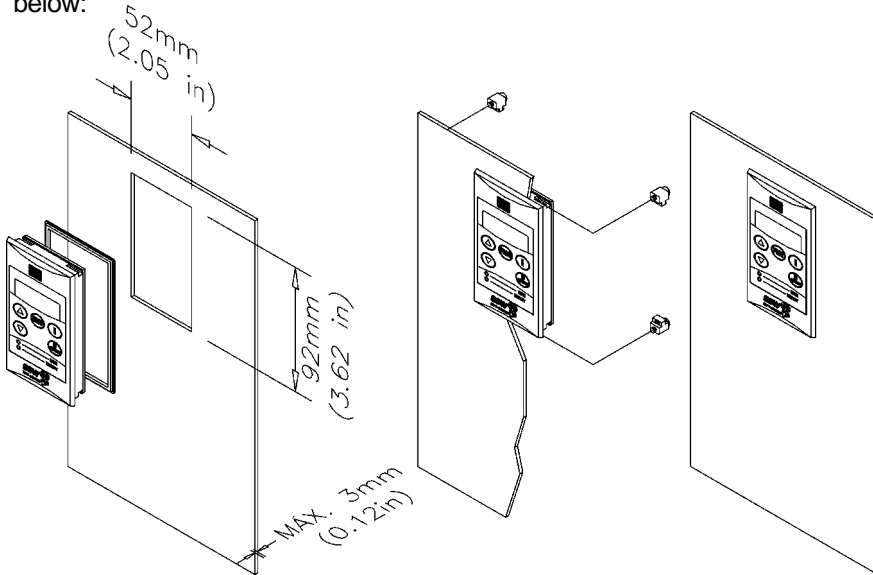




Figure 19.5 - HMI-SSW05-RS Installation.

### 19.3.6. HMI-SSW05-RS Start-up:

After installation (including interconnecting cable), power up the Soft-Starter. The HMI-SSW05-RS must display “rdy”.

To enable the keys  and  of the HMI-SSW05-RS, it is necessary to program P264  $\neq$  1.

### 19.3.7. Keypad Copy Function:

The HMI-SSW05-RS keypad still has an additional function: the Keypad Copy Function. This function is useful when one wants to copy the settings of one Soft-Starter (source Soft-Starter) to another (target Soft-Starter) or one needs to program several Soft-Starters with the same settings.

This is done as follows: the parameters of the source Soft-Starter are copied to a non-volatile memory of the HMI-SSW05-RS Keypad, and then from this keypad to another Soft-Starter (“target Soft-Starter”). The keypad copy function is controlled by the parameter P215.

For further information on this function, refer to detailed parameter description of P215.

## 20. TABLE OF PARAMETERS (FOR SERIAL COMMUNICATION / HMI-SSW05-RS):

Parameter	Parameter Function (Reading)	Range of the Internal Values	Factory Setting	User Setting	Page
P000 <sup>(2)</sup>	Parameter Access	0 ... 4, 6... 9999 = Read 5 = Alteration	0		21
P002	Motor Current Indication (%)	000,0 ... 999,9 (% In)			21
P003	Motor Current Indication (A)	000,0 ... 999,9 (A)			21
P023	Software Version				21
P050	Status Indication of the motor overload protection	0 ... 250 250 = error			21

Parameter	Parameter Function (Reading and Writing)	Range of the Internal Values	Factory Setting	User Setting	Page
P101	Initial voltage	30 ... 80 (% Un)	30		21
P102	Time of the Acceleration Ramp	1 ... 20 (s)	10		22
P104	Time of the Deceleration Ramp	0 ... 20 (s)	0 = off		22
P105 <sup>(1)</sup>	Motor Current Setting	30 ... 100 (%)	100		22
P106 <sup>(1)</sup>	Protection Configuration	0 ... 3F Hexadecimal	1F Hex.		22
P204 <sup>(1)</sup>	Load Factory Setting	0 = No function 1 = No function 2 = No function 3 = No function 4 = No function 5 = Load factory default	0		25
P215 <sup>(1)</sup>	Keypad Copy Function	0 = Off 1 = Copy (SSW -> keypad) 2 = Paste (keypad -> SSW)	0		25
P220 <sup>(1)</sup>	HMI/(Trimpots and Dip Switch) Selection	0 = Trimpots and Dip Switch 1 = HMI	0		26
P264 <sup>(1)</sup>	Programmable Digital Input DI 1	0 = Not used 1 = Enable / Disable 2 = External Fault	1		26
P277 <sup>(1)</sup>	Programmable relay output (14/23 - 24)	1 = Full voltage 2 = Error 3 = Serial Com.	1		26
P295 <sup>(1) (2)</sup>	Rated current of the Soft-Starter	0 = 3 A 1 = 10 A 2 = 16 A 3 = 23 A 4 = 30 A 5 = 45 A 6 = 60 A 7 = 85 A	According to the Type		26
P308	Network Address	1 ... 30	1		26
P313	Action of the serial communication verification	1 = only Error 2 = ramp disabling 3 = General disabling 4 = P264 → 1			26
P314	Verification Time of the Serial Communication	0 ... 5 (s)	0 = oFF		27

<sup>(1)</sup> These Parameters can be changed only with stopped motor.

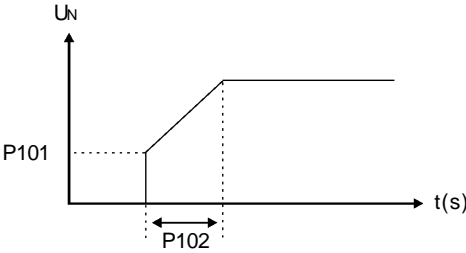
<sup>(2)</sup> These Parameters are not changed through the function "Loads Parameters with Factory Setting" (P204).

## 21. ERROR CODE AND DESCRIPTION (FOR SERIAL COMMUNICATION / HMI-SSW05-RS):

Display	Description
E03	Phase loss
E05	Output overload (lxt function)
E06	External fault
E10	Error in the copy function
E2x	Serial communication error
E22	Longitudinal parity fault
E24	Parameterization fault
E25	Variable or parameter not existing
E26	Expected value out of the allowed limits
E27	Writing attempt in a read only variable or logical control disabled
E29	Error of the cyclic serial communication interrupted
E31	Keypad connection fault
E63	Locked rotor
E64	Thyristor overload
E66	Overcurrent
E67	Incorrect phase sequence
E70	Undervoltage in the control supply
E71	Internal By-pass relay contact is open
E72	Overcurrent before the By-pass
E73	Overcurrent of the SSW-05 By-pass relay
E75	Frequency out of tolerance

## 22. DETAILED PARAMETER DESCRIPTION (FOR SERIAL COMMUNICATION/HMI-SSW05-RS):

Parameter	Description / Notes
P000 Access Parameter	<input checked="" type="checkbox"/> Releases the access to change the parameter values. <input checked="" type="checkbox"/> The password is 5.
P002 Motor Current Indication (%)	<input checked="" type="checkbox"/> Indicates the motor current in percent (%) of nominal current.
P003 Motor Current Indication (A)	<input checked="" type="checkbox"/> Indicates the motor current directly in Amps. <input checked="" type="checkbox"/> Is necessary to program P295 correctly. This is important in the correct indication value in amperes
P023 Software Version	<input checked="" type="checkbox"/> Indicates the version of the software installed in the CPU.
P050 Status Indication of the Motor Thermal Protection	<input checked="" type="checkbox"/> Indicates in percentage the status of the thermal motor protection (0 ... 250). 250 is the point where the thermal motor protection trips, E05.
P101 Initial Voltage (%Un)	<input checked="" type="checkbox"/> It sets the start voltage (%Un) that will be applied to the motor according to Figure 22.1. <input checked="" type="checkbox"/> When P220 = 0, the parameter content indicates the value that has been set through the trimpot. When the trimpot has been set to the maximum value, the value indicated at the Parameter may be lower than expected. This is due to mechanical limits variations. The parameter content cannot be changed through the keypad when P220 = 0. <input checked="" type="checkbox"/> With P220=1, the content of the parameter indicates the value programmed through the serial communication or HMI.

Parameter	Description / Notes
	 <p data-bbox="443 624 794 651">Figure 22.1 - Acceleration Ramp</p>
<p>P102 Time of the Acceleration Ramp (s)</p>	<ul style="list-style-type: none"> <li><input checked="" type="checkbox"/> It defines the ramp time of the voltage increment, as shown in Figure 22.1.</li> <li><input checked="" type="checkbox"/> When P220 = 0, the parameter content indicates the value that has been set through the trimpot. When the trimpot has been set to the maximum value, the value indicated at the Parameter may be lower than expected. This is due to mechanical limits variations. The parameter content cannot be changed through the keypad when P220 = 0.</li> <li><input checked="" type="checkbox"/> With P220=1, the content of the parameter indicates the value programmed through the serial communication or HMI.</li> </ul> <p><b>Note:</b> Due to the back-EMF (electromotive Force) generated by the motor, motors without load or with small loads will have a shorter acceleration time than the time that has been programmed at P102.</p>
<p>P104 Time of the Deceleration Ramp (s)</p>	<ul style="list-style-type: none"> <li><input checked="" type="checkbox"/> Used on pump application.</li> <li><input checked="" type="checkbox"/> Defines the ramp time of the voltage decrement</li> <li><input checked="" type="checkbox"/> When P220 = 0, the parameter content indicates the value that has been set through the trimpot. When the trimpot has been set to the maximum value, the value indicated at the Parameter may be lower than expected. This is due to mechanical limits variations. The parameter content cannot be changed through the keypad when P220 = 0.</li> <li><input checked="" type="checkbox"/> With P220=1, the content of the parameter indicates the value programmed through the serial communication or HMI.</li> </ul> <p><b>Note:</b> This function is used to delay the normal deceleration time of a load and in that way to not force a shorter time than that imposed by the own load.</p>
<p>P105 Motor Current Setting (%)</p>	<ul style="list-style-type: none"> <li><input checked="" type="checkbox"/> It sets the motor current in percent relating to the rated Soft-Starter current.</li> <li><input checked="" type="checkbox"/> The indicated value is related directly to the activation levels of the following motor protection devices: overload, overcurrent, locked rotor and phase loss.</li> <li><input checked="" type="checkbox"/> When P220 = 0, the parameter content indicates the value that has been set through the trimpot. When the trimpot has been set to the maximum value, the value indicated at the Parameter may be lower than expected. This is due to mechanical limits variations. The parameter content cannot be changed through the keypad when P220 = 0.</li> <li><input checked="" type="checkbox"/> With P220=1, the content of the parameter indicates the value programmed through the serial communication or HMI.</li> </ul>
<p>P106 Diagnostic Configuration</p>	<ul style="list-style-type: none"> <li><input checked="" type="checkbox"/> With P220=0, the content of the parameter indicates the value programmed through dip switch. In this case the alteration of the content of the parameter through HMI is not possible.</li> <li><input checked="" type="checkbox"/> With P220=1, the content of the parameter indicates the value programmed through the serial communication or HMI.</li> <li><input checked="" type="checkbox"/> It configures the protections that are enabled.</li> <li><input checked="" type="checkbox"/> The value is indicated as Hexadecimal value. Please find below the protection and the corresponding bit.</li> </ul>

Parameter	Description / Notes
-----------	---------------------

LSB	
0	Overcurrent
1	Phase loss
2	Incorrect phase sequence
3	Locked rotor
4	Motor overload
5	Automatic reset
6	-
7	-
8	-
9	-
10	-
11	-
12	-
13	-
14	-
15	-
MSB	

**Example:**  
**P106 = 13 Hex**  
 1 - Enabled - Overcurrent  
 1 - Enabled - Phase loss  
 0 - Disabled - Incorrect phase sequence  
 0 - Disabled - Locked rotor  
 1 - Enabled - Motor overload  
 0 - Disabled - Automatic reset  
**13Hex = 010011bin**

The Table below shows the combination of the enabled diagnostics and the corresponding value to be programmed at P106.

Diagnostic Configuration						Value Programmed at P106 (hexadecimal)
Automatic Reset	Motor Overload	Stall	Incorrect Phase sequence	Phase Loss	Overcurrent	
Bit 5	Bit 4	Bit 3	Bit 2	Bit 1	Bit 0	
					<input checked="" type="checkbox"/>	1
				<input checked="" type="checkbox"/>		2
				<input checked="" type="checkbox"/>	<input checked="" type="checkbox"/>	3
			<input checked="" type="checkbox"/>			4
			<input checked="" type="checkbox"/>		<input checked="" type="checkbox"/>	5
			<input checked="" type="checkbox"/>	<input checked="" type="checkbox"/>		6
			<input checked="" type="checkbox"/>	<input checked="" type="checkbox"/>	<input checked="" type="checkbox"/>	7
		<input checked="" type="checkbox"/>				8
		<input checked="" type="checkbox"/>			<input checked="" type="checkbox"/>	9
		<input checked="" type="checkbox"/>		<input checked="" type="checkbox"/>		A
		<input checked="" type="checkbox"/>		<input checked="" type="checkbox"/>	<input checked="" type="checkbox"/>	B
		<input checked="" type="checkbox"/>	<input checked="" type="checkbox"/>			C
		<input checked="" type="checkbox"/>	<input checked="" type="checkbox"/>		<input checked="" type="checkbox"/>	D
		<input checked="" type="checkbox"/>	<input checked="" type="checkbox"/>	<input checked="" type="checkbox"/>		E
		<input checked="" type="checkbox"/>	<input checked="" type="checkbox"/>	<input checked="" type="checkbox"/>	<input checked="" type="checkbox"/>	F
	<input checked="" type="checkbox"/>					10
	<input checked="" type="checkbox"/>				<input checked="" type="checkbox"/>	11
	<input checked="" type="checkbox"/>			<input checked="" type="checkbox"/>		12
	<input checked="" type="checkbox"/>			<input checked="" type="checkbox"/>	<input checked="" type="checkbox"/>	13
	<input checked="" type="checkbox"/>		<input checked="" type="checkbox"/>			14
	<input checked="" type="checkbox"/>		<input checked="" type="checkbox"/>		<input checked="" type="checkbox"/>	15

Parameter		Description / Notes					
Diagnostic Configuration						Value Programmed at P106 (hexadecimal)	
Automatic Reset	Motor Overload	Stall	Incorrect Phase sequence	Phase Loss	Overcurrent		
Bit 5	Bit 4	Bit 3	Bit 2	Bit 1	Bit 0		
	<input checked="" type="checkbox"/>		<input checked="" type="checkbox"/>	<input checked="" type="checkbox"/>		16	
	<input checked="" type="checkbox"/>		<input checked="" type="checkbox"/>	<input checked="" type="checkbox"/>	<input checked="" type="checkbox"/>	17	
	<input checked="" type="checkbox"/>	<input checked="" type="checkbox"/>				18	
	<input checked="" type="checkbox"/>	<input checked="" type="checkbox"/>			<input checked="" type="checkbox"/>	19	
	<input checked="" type="checkbox"/>	<input checked="" type="checkbox"/>		<input checked="" type="checkbox"/>	<input checked="" type="checkbox"/>	1A	
	<input checked="" type="checkbox"/>	<input checked="" type="checkbox"/>	<input checked="" type="checkbox"/>			1B	
	<input checked="" type="checkbox"/>	<input checked="" type="checkbox"/>	<input checked="" type="checkbox"/>			1C	
	<input checked="" type="checkbox"/>	<input checked="" type="checkbox"/>	<input checked="" type="checkbox"/>		<input checked="" type="checkbox"/>	1D	
	<input checked="" type="checkbox"/>	<input checked="" type="checkbox"/>	<input checked="" type="checkbox"/>	<input checked="" type="checkbox"/>		1E	
	<input checked="" type="checkbox"/>	<input checked="" type="checkbox"/>	<input checked="" type="checkbox"/>	<input checked="" type="checkbox"/>	<input checked="" type="checkbox"/>	1F	
<input checked="" type="checkbox"/>						20	
<input checked="" type="checkbox"/>					<input checked="" type="checkbox"/>	21	
<input checked="" type="checkbox"/>				<input checked="" type="checkbox"/>		22	
<input checked="" type="checkbox"/>				<input checked="" type="checkbox"/>	<input checked="" type="checkbox"/>	23	
<input checked="" type="checkbox"/>			<input checked="" type="checkbox"/>			24	
<input checked="" type="checkbox"/>			<input checked="" type="checkbox"/>		<input checked="" type="checkbox"/>	25	
<input checked="" type="checkbox"/>			<input checked="" type="checkbox"/>	<input checked="" type="checkbox"/>		26	
<input checked="" type="checkbox"/>			<input checked="" type="checkbox"/>	<input checked="" type="checkbox"/>	<input checked="" type="checkbox"/>	27	
<input checked="" type="checkbox"/>		<input checked="" type="checkbox"/>				28	
<input checked="" type="checkbox"/>		<input checked="" type="checkbox"/>			<input checked="" type="checkbox"/>	29	
<input checked="" type="checkbox"/>		<input checked="" type="checkbox"/>		<input checked="" type="checkbox"/>		2A	
<input checked="" type="checkbox"/>		<input checked="" type="checkbox"/>		<input checked="" type="checkbox"/>	<input checked="" type="checkbox"/>	2B	
<input checked="" type="checkbox"/>		<input checked="" type="checkbox"/>	<input checked="" type="checkbox"/>			2C	
<input checked="" type="checkbox"/>		<input checked="" type="checkbox"/>	<input checked="" type="checkbox"/>		<input checked="" type="checkbox"/>	2D	
<input checked="" type="checkbox"/>		<input checked="" type="checkbox"/>	<input checked="" type="checkbox"/>	<input checked="" type="checkbox"/>		2E	
<input checked="" type="checkbox"/>		<input checked="" type="checkbox"/>	<input checked="" type="checkbox"/>	<input checked="" type="checkbox"/>	<input checked="" type="checkbox"/>	2F	
<input checked="" type="checkbox"/>	<input checked="" type="checkbox"/>					30	
<input checked="" type="checkbox"/>	<input checked="" type="checkbox"/>				<input checked="" type="checkbox"/>	31	
<input checked="" type="checkbox"/>	<input checked="" type="checkbox"/>			<input checked="" type="checkbox"/>		32	
<input checked="" type="checkbox"/>	<input checked="" type="checkbox"/>			<input checked="" type="checkbox"/>	<input checked="" type="checkbox"/>	33	
<input checked="" type="checkbox"/>	<input checked="" type="checkbox"/>		<input checked="" type="checkbox"/>			34	
<input checked="" type="checkbox"/>	<input checked="" type="checkbox"/>		<input checked="" type="checkbox"/>		<input checked="" type="checkbox"/>	35	
<input checked="" type="checkbox"/>	<input checked="" type="checkbox"/>		<input checked="" type="checkbox"/>	<input checked="" type="checkbox"/>		36	
<input checked="" type="checkbox"/>	<input checked="" type="checkbox"/>		<input checked="" type="checkbox"/>	<input checked="" type="checkbox"/>	<input checked="" type="checkbox"/>	37	
<input checked="" type="checkbox"/>	<input checked="" type="checkbox"/>	<input checked="" type="checkbox"/>				38	
<input checked="" type="checkbox"/>	<input checked="" type="checkbox"/>	<input checked="" type="checkbox"/>			<input checked="" type="checkbox"/>	39	
<input checked="" type="checkbox"/>	<input checked="" type="checkbox"/>	<input checked="" type="checkbox"/>		<input checked="" type="checkbox"/>	<input checked="" type="checkbox"/>	3A	
<input checked="" type="checkbox"/>	<input checked="" type="checkbox"/>	<input checked="" type="checkbox"/>	<input checked="" type="checkbox"/>			3B	
<input checked="" type="checkbox"/>	<input checked="" type="checkbox"/>	<input checked="" type="checkbox"/>	<input checked="" type="checkbox"/>			3C	
<input checked="" type="checkbox"/>	<input checked="" type="checkbox"/>	<input checked="" type="checkbox"/>	<input checked="" type="checkbox"/>		<input checked="" type="checkbox"/>	3D	
<input checked="" type="checkbox"/>	<input checked="" type="checkbox"/>	<input checked="" type="checkbox"/>	<input checked="" type="checkbox"/>	<input checked="" type="checkbox"/>		3E	
<input checked="" type="checkbox"/>	<input checked="" type="checkbox"/>	<input checked="" type="checkbox"/>	<input checked="" type="checkbox"/>	<input checked="" type="checkbox"/>	<input checked="" type="checkbox"/>	3F	

= enabled diagnostic



Parameter	Description / Notes
P204 Load Factory Setting	<input checked="" type="checkbox"/> Programs all parameters to the standard factory default, when P204=5. <input checked="" type="checkbox"/> The parameters P000 and P295 are not changed when the factory default parameters are loaded through P204=5.

P215 Keypad Copy Function	<input checked="" type="checkbox"/> The keypad copy function is used to transfer the content of the parameters from one SSW to another.
------------------------------	---



**Note:**

The Keypad Copy Function is only available when using HMI-SSW05-RS.



P215	Action	Notes
0	Off	-
1	Copy (SSW → keypad)	Transfers the actual parameter values of the SSW to non volatile memory (EEPROM) of the HMI-SSW05-RS keypad. The actual SSW parameters are not changed.
2	Paste (keypad → SSW)	Transfers the content of the non volatile memory of the keypad (EEPROM) to the SSW parameters.

Procedure is as follows:

1. Connect the keypad (HMI-SSW05-RS) to the SSW from which the parameters will be copied (SSW A - source SSW).
2. Set P215=1 (copy) to transfer the parameter values from the SSW A to the keypad.

Press  key. During running of the Copy Function, display will show . P215 resets automatically to 0 (Off) after transfer has been completed.

3. Disconnect the keypad from the SSW (A).
4. Connect the same keypad to the SSW to which the parameters will be transferred (SSW B - target SSW).
5. Set P215=2 (paste) to transfer the content of the keypad (EEPROM has the SSW A parameters) to SSW B.

Press the  key. While the keypad is running the paste function, the display shows , an abbreviation for paste. When P215 returns to 0, the parameter transfer has been concluded. Now SSWs A and B will have the same parameter values.

To copy the parameter content of the SSW A to other SSW(s), repeat steps 4 to 5 above.

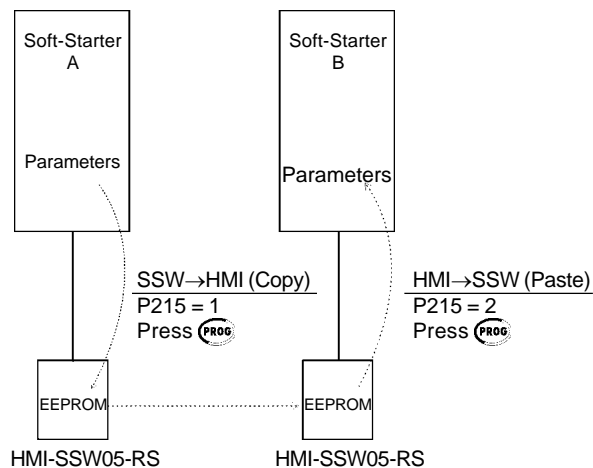


Figure 22.2 - Copying the parameters from the SSW A to the SSW B, by using the Copy Function and the HMI-SSW05-RS keypad.

Parameter	Description / Notes
P220 HMI/(Trimpots and Dip Switch) Selection	<p><input checked="" type="checkbox"/> It configures the operation mode of the Soft-Starter, in Trimpots and Dip Switch mode or HMI mode.</p> <p>0 “(Trimpot and Dip Switch)” – the programming of the initial voltage, ramp time, motor current setting and enabling of the protection devices is performed by means of the trimpots and dip switch. The values programmed through the serial communication is not used.</p> <p>1 “HMI” - the programming is performed through the serial communication. The values programmed through trimpots and dip switch is not used.</p> <p><b>Note:</b> In HMI mode (P220=1) the trimpots and dip switch programming is ignored. The start voltage, ramp times, motor current setting and the protection enabling is programmed through the parameters P101, P102, P104, P105 and P106.</p>
P264 Programmable Digital Input DI 1	<p><input checked="" type="checkbox"/> It configures the DI 1 digital input to operate according to the codes described below.</p> <p>0- “Not used”, DI 1 digital input is disabled. The enabling commands are only accept via serial communication (V03).</p> <p>1- “Enable/Disable”, enabling only via digital input. The enabling commands via serial communication are ignored.</p> <p>2- “External Fault”, it acts only if the DI 1 digital input is open. It can also be used as additional load protection. Example: thermal protection of the motor through dry contact (without voltage) of a protection relay (Thermostat). The enabling commands are only accepted via serial communication (V03).</p>
P277 Programmable Relay Output (14/23 – 24)	<p><input checked="" type="checkbox"/> It enables the relay (14/23 – 24) to operate according to the following parameter setting:</p> <p>1- Function “Full voltage” – the relay closes the contact only after the Soft-Starter reached 100% of Un (By-pass), and opens the contact when the Soft-Starter has received a switch-Off order.</p> <p>2- Function “Error”, the relay closes the N.O. contact when the SSW-05 is with no error.</p> <p>3- Function “Logic Command”, the relay opens and closes the relay contact according to the BIT 5 status of the V03 basic variable.</p>
P295 Rated Current of the Soft-Starter	<p><input checked="" type="checkbox"/> Configures the SSW-05 models.</p> <p><input checked="" type="checkbox"/> Its function is to set the software so the current indication in Ampere (P003) is correct. The possible configurations of the SSW-05 model are:</p> <p>0 = 3A 1 = 10A 2 = 16A 3 = 23A 4 = 30A 5 = 45A 6 = 60A 7 = 85A</p>
P308 Network Address	<p><input checked="" type="checkbox"/> It defines the address at which the Soft-Starter will respond on the communication network between all equipment connected to this network.</p>
P313 Action of the Serial Communication Verification	<p>This parameter has the purpose to set the action to be taken when an error indication occurs.</p> <p><b>Note:</b> To attribute a function to this parameter, set P314 different from 0 = Off.</p> <p><b>Values for P313:</b></p> <p>1- It indicates only error.</p> <p>2- Indicates error and disables the Soft-Starter by ramp. If the programmed deceleration time is equal to 0 sec, the motor driven by the Soft-Starter will be stopped by inertia.</p> <p>3- Indicates error and causes general disabling of the Soft-Starter. It can be used as emergency stopping.</p> <p>4- Indicates error and program P264 with the value 1. The bit 0 of V03 is reseted.</p>

Parameter	Description / Notes
P314 Verification Time of the Serial Communication	<input checked="" type="checkbox"/> This parameter has the function to enable or disable, as well as to set the verification time of the serial communication. This protection acts when the serial communication between the master and the Soft-Starter is interrupted generating the respective indication or introducing an action as set at parameter P313.  <b>Note:</b> Enable this function only if there is a cyclic serial communication with a master. Set the verification time according to the time of the telegrams sent by the master.

## **23. APPENDIX FOR CE CONFORMANCE:**

The SSW-05 Plus, was tested to meet the following directives:

### **23.1. EMC and LVD Directives:**

EMC Directive 89/336/EEC (Electromagnetic Compatibility), using a Technical Construction File and the following standards:

EN60947-4-2: Low-voltage switchgear and controlgear Part 4, contactors and motor-starters Section 2. AC semiconductor motor controllers and starters.

Low Voltage Directive (LVD) 73/23/EEC

### **ATTENTION!**

The SSW-05 Plus line has been designed for class A equipment. Use of the products in domestic environments may cause radio interference, in which case the user may be required to employ additional mitigation methods.

### **Note:**

The conformity of the Soft-Starter to any standard does not guarantee that the entire installation will conform. Many other factors can influence the total installation. Only direct measurements can verify total conformity.

## **23.2. Requirements for Conforming Installations:**

### **23.2.1. EMC Directive:**

The following items are required for CE conformance:

1. The Soft-Starters must be installed into closed metallic boxes or panels that have a door only able to be opened with a tool. A suitable cooling must be provided to ensure that the temperature will be within the allowed range.

### **23.2.2. Low Voltage Directive (LVD):**

The following items are required for CE conformance:

1. The same as item 1 above.
2. The installation must provide a supply disconnecting (isolation) device. A hand-operated supply disconnecting device must be provided for each income supply and be near to the equipment. This device must disconnect the Soft-Starter from the supply when required (e. g. during work on the electrical equipment). See EN60204-1, 5.3. Specify the current and voltage of this disconnecting device according to the data given in the item 6.

### **DANGER!**

This equipment must not be used as an emergency stop mechanism (See EN60204, 9.2.5.4).

24. EU Declaration of conformity CE:



**EU DECLARATION OF CONFORMITY CE**

We

Manufacturer's Name: **WEG Indústrias S/A - Automação**

Address: Rua Waldemar Grubba, 3000  
89256-900 Jaraguá do Sul - SC - Brazil  
Telephone: +55 47 372 4515  
Fax: +55 47 372 4020

And our representative established within the European Community:

**WEG France**  
Parc Silic Rhône Alpes  
17, rue de Bruxelles  
38070 St. Quentin Fallavier - France  
Telephone: +33 474 991135  
Fax: +33 474 991144

Herewith declare that the product: **SSW-05 Soft-Starter**

Models: **SSW05 ... T ... PZ**

Has been designed and manufactured in accordance with the following standards:

**EN 50178 (1997)** Electronic Equipment for Use in Power Installations

**EN 60204-1 (1997)** Safety of Machinery - Electrical Equipment of Machines -  
Part 1: General Requirements

**EN 60947-4-2 (1999)** Low-voltage Switchgear and Controlgear - Part 4-2: AC  
Semiconductor Motor Controllers and Starters

Technical Construction File N° WEG002-2002

Prepared by: WEG Indústrias S/A - Automação  
Function: Manufacturer  
Date: 02/Sep/2002

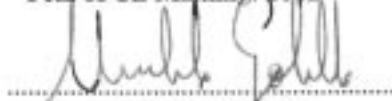
Competent Body:

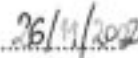
Name: SGS United Kingdom Ltd.  
Address: South Industrial Estate - Bowburn - Co. Durham -  
United Kingdom - DH6 5AD  
Certification N°: DUR24183/CST/AR/02

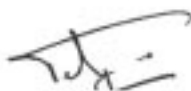
and when installed in accordance with the installation recommendations contained in  
the product documentation, conforms to relevant provisions of:

Low Voltage Directive 73/23/EEC as amended by the Directive 93/68/EEC and  
EMC Directive 89/336/EEC as amended by 92/31/EEC and 93/68/EEC.

Year of CE Marking: 2002

  
.....  
Umberto Gobato  
WEG Indústrias S/A - Automação  
Managing Director

  
Date



## WARRANTY SSW-05 Plus

WEG warrants its Soft-Starters against defects in workmanship and materials under the following conditions:

- 1.0 For the effectiveness of this warranty it is essential that the purchaser inspects carefully the purchased Soft-Starter, immediately after receipt, checking its characteristics and reading its installation, adjustments, operation and maintenance instructions. The Soft-Starter will be considered as accepted and approved automatically by the purchaser, when the purchaser does not give written notice within max. five days after the receipt of the product about verified non-conformities.
- 2.0 The warranty period is for twelve months from the invoice date of the equipment issued by WEG or its authorized distributor, proved through equipment invoice, but limited to twenty four months from the manufacturing date, that is indicated on the product nameplate.
- 3.0 In case the Soft-Starter fails to function or operate correctly during the warranty time, the warranty services will be carried out, at WEG discretion, at its Authorized Repair Shops.
- 4.0 The failed product must be available to the supplier for a required period to detect the cause of the failure and to make the corresponding repairs.
- 5.0 WEG Automação, or its Authorized Repair Shops will analyze the returned Soft-Starter and when the existence of the failure covered by the warranty is proved, it will repair, modify or replace, at its discretion, the defective Soft-Starter without cost to the purchaser, except as indicated in Item 7.0.
- 6.0 The present warranty responsibility is limited only to repairs, changes or replacement of the supplied Soft-Starter. WEG will have no obligation or liability whatsoever to people, third parties, other equipment or installations, including without limitation, any claims for loss of profits, consequential damages or labor costs.
- 7.0 Other expenses as freights, packing, disassembling/assembling and parameter setting costs will be paid exclusively by the purchaser, including all fees, ticket, accommodation and meals expenses for technical personnel, when needed and/or requested by the customer.
- 8.0 The present warranty does not cover the normal wear of the product or equipment, neither damages resulting from incorrect or negligent operation, incorrect parameter setting, improper maintenance or storage, operation out of the technical specification, bad installation quality, or operated in ambient with corrosives gases or with harmful electrochemical, electrical, mechanical or atmospheric influences.
- 9.0 This warranty does not cover parts or components that are considered to wear, such as rubber or plastic parts, incandescent bulbs, fuses, etc, as well as the thyristors.
- 10.0 This warranty will be cancelled automatically, independently of any previous written notice or not, when the purchaser, without previous written authorization by WEG, makes or authorizes third parties to make any changes or repair on the product or equipment that failed during the warranty period.
- 11.0 Repairs, changes, or replacements due to manufacturing defects will not stop nor extend the period of the existing warranty.
- 12.0 Any request, complaint, communication, etc. related to the product under warranty, servicing, start-up, etc., shall be sent in writing to WEG Branch or Representative.
- 13.0 The Warranty granted by WEG is conditioned by the observation of this warranty that is the only valid warranty for the good.

## Índice - Español

---

1. Instrucciones de Seguridad .....	33
2. Que es el arrancador suave (Soft-Starter) SSW-05 Plus .....	33
3. Como identificar el SSW-05 Plus .....	33
4. Características Técnicas .....	34
5. Descripción del SSW-05 Plus .....	35
6. Tabla de Potencias / Corrientes / Cableados de Potencia (cobre 70°C) .....	35
7. Tabla con par (torque) máximo aplicado en los Conectores .....	35
8. Capacidad de la Red de Alimentación .....	36
9. Tabla con Fusibles y Contador .....	36
10. Dimensiones .....	36
11. Como instalar y conectar el SSW-05 Plus .....	37
12. Como Ajustar el SSW-05 Plus .....	39
13. Funcionamiento de las Salidas digitales al Relé .....	40
14. Protecciones y Señalizaciones .....	41
15. Protección de Sobrecarga .....	43
16. Reset .....	43
17. Errors y Posibles Causas .....	43
18. Solución de Problemas más Frecuentes .....	44
19. Dispositivos Opcionales .....	44
20. Tabla de Parámetros (para comunicación serial / HMI-SSW05-RS) .....	50
21. Código y descripción de los errores (para comunicación serial / HMI-SSW05-RS) .....	51
22. Descripción detallada de los parámetros (para comunicación serial / HMI-SSW05-RS) .....	51
23. Anexos para Conformidad CE .....	58
24. Declaración de la Conformidad CE .....	59
Certificado de Garantía SSW-05 Plus .....	60

# MANUAL DE INSTALACION Y OPERACION

**Série:** SSW-05 Plus

**Software:** versión 2.0X

0899.4668 /5

**Nota:** 1) La Soft-Starter electrónica SSW-05 Plus ha sido proyectada para el accionamiento de motores eléctricos trifásicos utilizados en cargas consideradas livianas (ejemplo: bombas centrífugas, ventiladores de pequeño porte y compresores de tornillo). Caso hubiera necesidad de accionar otro tipo de cargas consideradas pesadas, consulte WEG.

2) A partir de la versión de software V2.00, está disponible la comunicación serial. El manual de comunicación serial de la SSW-05 (0899.4586) está disponible para download en la dirección [www.weg.com.br](http://www.weg.com.br).

Con la comunicación serial es posible:

- a) Conexión de la Soft-Starter en una red de equipamientos, como PC, CLP y otros;
- b) El uso con el software SuperDrive (417102505) para Microsoft Windows, permitiendo la programación y operación de la SSW-05.
- c) El uso del HMI (interfaces hombre máquina) remota para programación y operación de la SSW-05.

## 1. INSTRUCCIONES DE SEGURIDAD:

**Siempre desconectar el equipamiento antes de efectuar mantenimiento.**

Lea y comprenda este manual antes de instalar y operar el arrancador suave (Soft-Starter) SSW-05 Plus.

La instalación y ajustes de este equipamiento deben ser ejecutados solamente por personas con entrenamiento y calificación técnica adecuados, obedeciendo a los procedimientos legales de seguridad.

## 2. QUE ES EL ARRANCADOR SUAVE (SOFT-STARTER) SSW-05 PLUS:

Es un equipamiento que permite arrancar y parar suavemente motores de inducción trifásicos.

## 3. COMO IDENTIFICAR EL SSW-05 PLUS:

SSW05	0003	T	2246	S	P	Z
Soft-Starter WEG Série 05	Corriente nominal de salida: 0003 = 3A 0010 = 10A 0016 = 16A 0023 = 23A 0030 = 30A 0045 = 45A 0060 = 60A 0085 = 85A	Alimentación Trifásica de Entrada	Tensión de Alimentación de entrada: 2246 = 220 hasta 460V 4657 = 460 hasta 575V	Idioma del Manual: P= Portugués E= Inglés S= Español	Versión de la SSW-05: P= Plus	Final del código

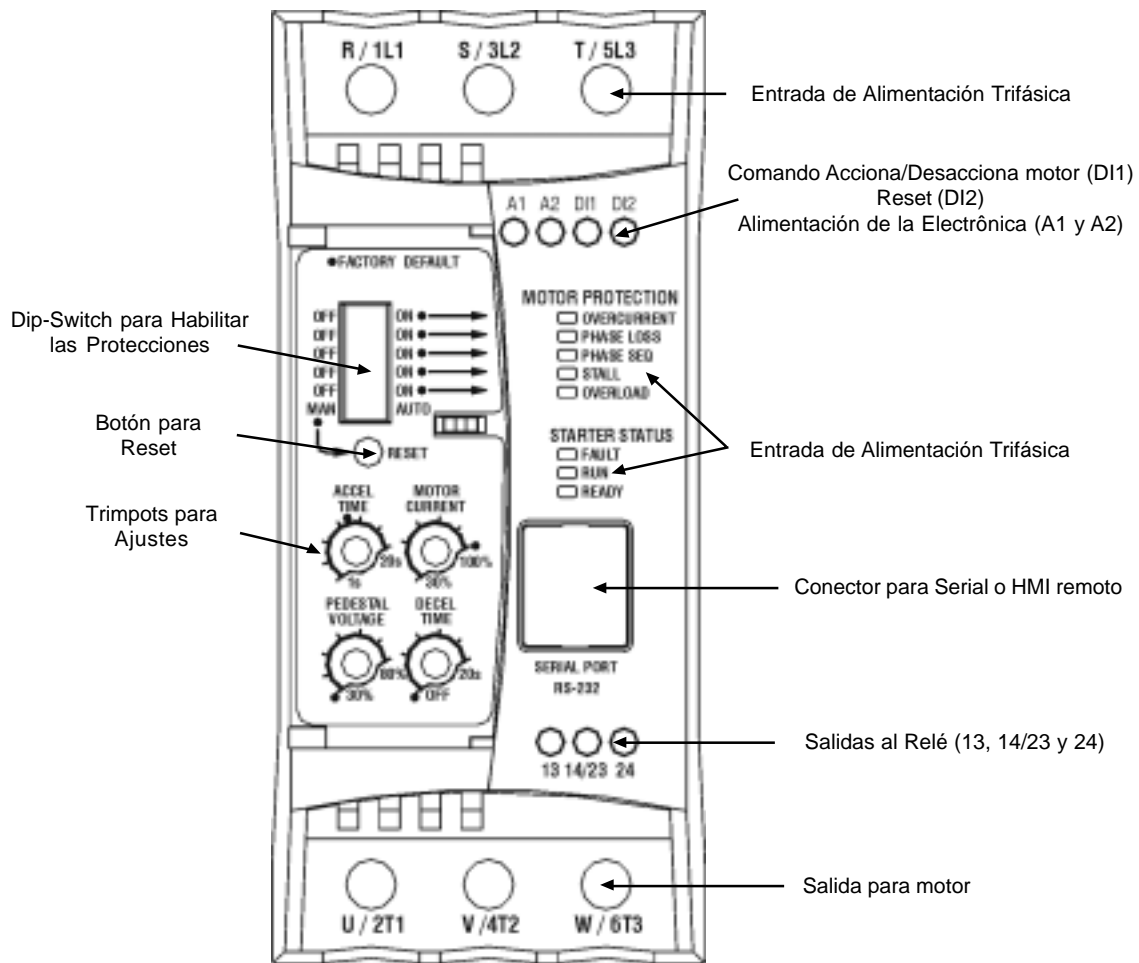
Ejemplo: El código **SSW050010T2246SPZ**, por tanto, es una SSW-05 Plus de 10A, Tensión de alimentación trifásica de 220 hasta 460V, Manual en Español, versión PLUS.



#### 4. CARACTERÍSTICAS TÉCNICAS:

Modelo		SSW-05 Plus
Alimentación	Tensión de Control (A1 y A2)	90 ... 250Vac 50/60 Hz (+/- 6Hz) 200 mA
	Tensión de Potencia (R/1L1, S/3L2, T/5L3)	220 ...460 Vac (+10%,-15%) 50/60 Hz (+/- 5Hz) 3f 460 ... 575 Vac (+10%,-15%) 50/60 Hz (+/- 5Hz) 3f
Ajustes	Tensión Inicial	30 ... 80% U <sub>N</sub>
	Tiempo de Aceleración	1 ... 20 s
	Tiempo de Deceleración	Off ... 20 s
	Corriente del Motor	30 ... 100% I <sub>N</sub>
Protecciones		Sobrecarga Electrónica del Motor
		Secuencia de Fase Incorrecta
		Falta de Fase
		Sobrecorriente Inmediata
		Rotor Trabado
		Sobrecarga en los Tiristores
		Sobrecorriente Inmediata en el Relé de By-pass
		Sobrecorriente antes del By-pass
		Frecuencia fuera de la tolerancia
		Contacto del Relé de By-pass interno abierto
	Subtensión en la Alimentación de la Electrónica	
Capacidad	Número Máximo de Arranques por hora	4 (1 cada 15 minutos)
	Ciclo de Arranque	3 x I <sub>N</sub> durante 10 segundos
Entradas Digitales (90...250Vac 6mA)		DI1 – Función Aciona/Desacciona DI2 – Función Reset
Salidas Digitales al Relé (1A 250Vac)		Función Operación (13 – 14/23) Función Tensión Plena (14/23 – 24)
Comunicación		Interface Serial (RS232C)
Condiciones Ambientales	Temperatura	0 ... 55°C
	Humedad	5 ... 90% sin condensación
	Altitud	0 ... 1000m (hasta 4000m con reducción de 10% / 1000m en la corriente de salida)
Grado de Protección		IP 00 (Chassis)
Grado de Polución (UL508)		2
Mecánica	Fijación	Carril DIN 35mm o tornillo M4
	Involucro	Plástico Inyectado
Conformidad/ Normas	Emisión Electromagnética Conducida (EMC)	Clase A (Uso Industrial) Norma IEC 60947-4-2
	Baja Tensión	UL 508 / IEC 60947-4-2

## 5. DESCRIPCIÓN DEL SSW-05 PLUS:



## 6. TABLA DE POTENCIAS / CORRIENTES / CABLEADOS DE POTENCIA (COBRE 70°C):

Modelo	Corriente Nominal	Mecánica	220V...240V		380V...415V		440V...480V		Cables de Potencia mm <sup>2</sup> (AWG)
			cv	kW	cv	kW	cv	kW	
SSW-05.3	3A	1	0,75	0,55	1,5	1,1	2	1,5	0,75 (18)
SSW-05.10	10A		3	2,2	6	4,5	7,5	5,5	1,5 (16)
SSW-05.16	16A		5	3,7	10	7,5	12,5	9,2	4 (12)
SSW-05.23	23A		7,5	5,5	15	11	15	11	6 (10)
SSW-05.30	30A		10	7,5	20	15	20	15	10 (8)
SSW-05.45	45A	2	15	11	30	22	30	22	16 (6)
SSW-05.60	60A		20	15	40	30	40	30	25 (4)
SSW-05.85	85A		30	22	60	45	70	45	35 (2)

Las potencias máximas indicadas en la tabla arriba son para motores Standard 4 polos WEG.

## 7. TABLA CON PAR (TORQUE) MÁXIMO APLICADO EN LOS CONECTORES:

Mecánica da SSW-05 Plus	Par en los Borne da Electrónica (A1, A2, DI1, DI2, 13, 14/23 y 24) Nm (lb-in)	Par en los Borne da Potencia (R, S, T, U, V y W) Nm (lb-in)
1	0,5 (4,5)	3,0 (32,7)
2	0,5 (4,5)	5,5 (60,0)

### 8. CAPACIDAD DE LA RED DE ALIMENTACIÓN:

El SSW-05 Plus es adecuado para ser utilizado en un circuito capaz de suministrar no más que  $X A_{RMS}$  (Conforme tabla abajo) amperes simétricos, Y Volts máximo:

Modelo da SSW-05 Plus	Y = 220- 575V X (kA)
3A	5
10A	5
16A	5
23A	5
30A	5
45A	5
60A	5
85A	10

### 9. TABLA CON FUSIBLES Y CONTATOR (VER ÍTEM 11):

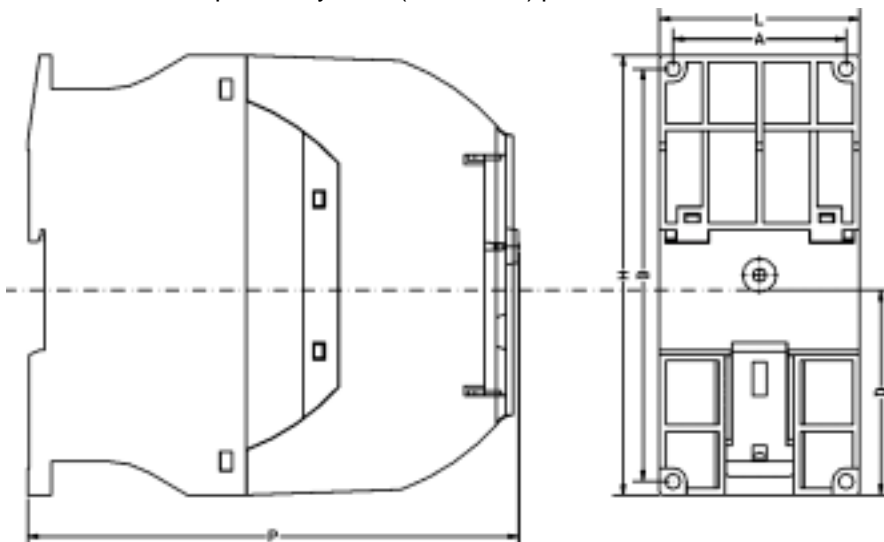
Corriente del SSW-05 Plus	Contador (K1)	Fusible (F1, F2,F3)	Fusible (F11, F12, F21)
3A	CWM09	Tipo D 10A	Tipo D 6A
10A	CWM12	Tipo D 16A	
16A	CWM18	Tipo D 25A	
23A	CWM25	Tipo D 35A	
30A	CWM32	Tipo D 50A	
45A	CWM50	Tipo D 63A	
60A	CWM65	Tipo NH 100A	
85A	CWM95	Tipo NH 125A	

### 10. DIMENSIONES:

Mecánica	Ancho L (mm)	Altura H (mm)	Profundidad P (mm)	Fijación A (mm)	Fijación B (mm)	Fijación D (mm)	Fijación	Peso (kg)
1	59	130	145	51	122	61	Tornillo M4 / Carril	0,74
2	79	185	172	71	177	99	Tornillo M4 / Carril	1,67

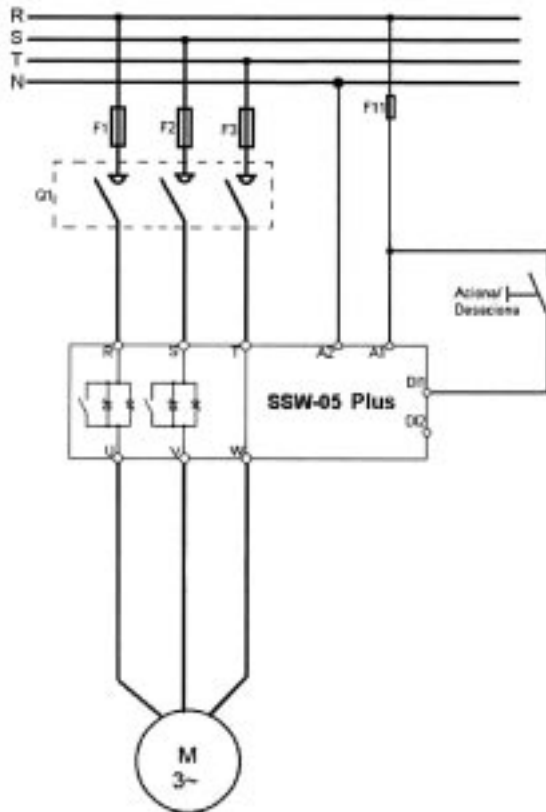
#### Notas:

- 1) La fijación de la SSW-05 Plus puede ser hecha en carril DIN 35mm con alas iguales.
- 2) En el caso de fijación a través de tornillos M4 el par (torque) no debe ser mayor que 0,2Nm (1,77 lb in) para los tornillos superiores y 1Nm (8,850 lb in) para los inferiores.



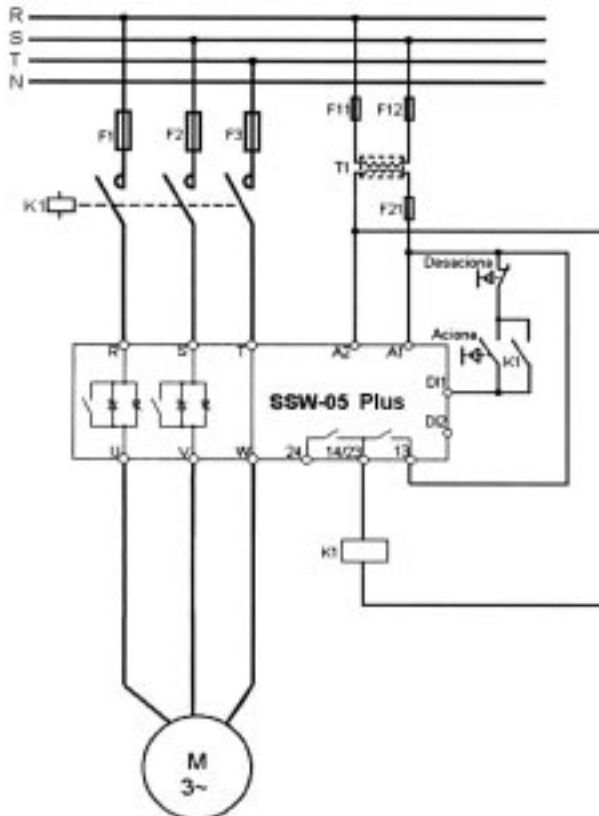
## 11. COMO INSTALAR Y CONECTAR EL SSW-05 PLUS:

### 11.1. Arranque y Parada Simplificada:



Simbología	Descripción
	Fusible
	Seccionadora (Abertura bajo Carga)
	Transformador
	Llave N.A (Con retención)
	Botonera N.F (Con retorno Automático)
	Botonera N.A (Con retorno Automático)
	Contactor (Bobina)
	Motor de Inducción Trifásico

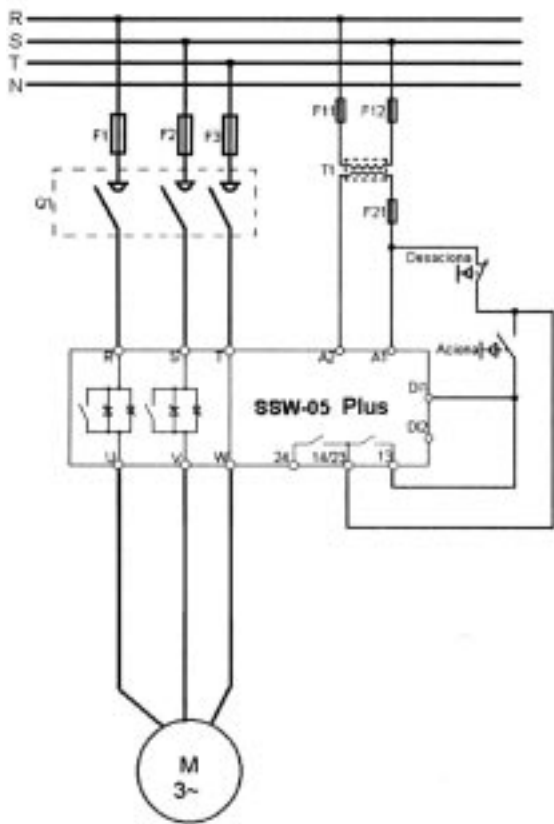
### 11.2. Arranque y Parada utilizando Contactor y Botoneras:



Simbología	Descripción
	Fusible
	Seccionadora (Abertura bajo Carga)
	Transformador
	Llave N.A (Con retención)
	Botonera N.F (Con retorno Automático)
	Botonera N.A (Con retorno Automático)
	Contactor (Bobina)
	Motor de Inducción Trifásico

El transformador "T1" solamente es necesario cuando la tensión de la red fuere distinta de la faja permitida para alimentación de la Electrónica (90 \_ 250Vac). Para 380V utilizar el neutro (N) y una fase.

### 11.3. Arranque y Parada utilizando Botoneras y Relé de Operación del SSW-05 Plus:



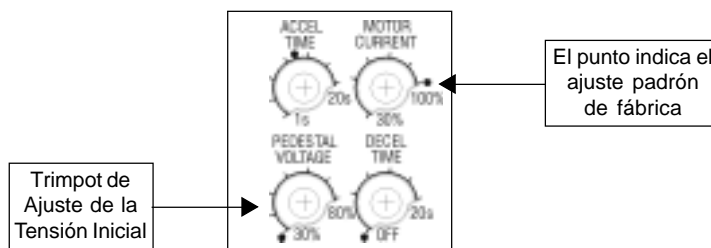
Simbología	Descripción
	Fusible
	Seccionadora (Abertura bajo Carga)
	Transformador
	Llave N.A (Con retención)
	Botonera N.F (Con retorno Automático)
	Botonera N.A (Con retorno Automático)
	Contactor (Bobina)
	Motor de Inducción Trifásico

El transformador "T1" solamente es necesario cuando la tensión de la red fuere distinta de la faja permitida para alimentación de la Electrónica (90 \_ 250Vac). Para 380V utilizar el neutro (N) y una fase.

## 12. COMO AJUSTAR EL SSW-05 PLUS:

### 12.1. Ajuste de la Tensión Inicial:

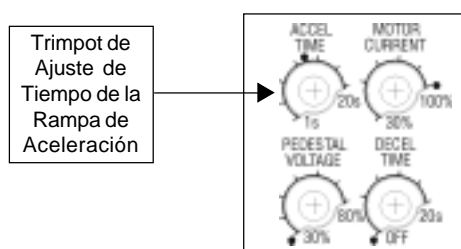
Ajuste la tensión inicial para el valor que empece a girar el motor accionado por el SSW-05 Plus tan pronto esta reciba el comando de acciona.



### 12.2. Ajuste de la Rampa del Tiempo de Aceleración:

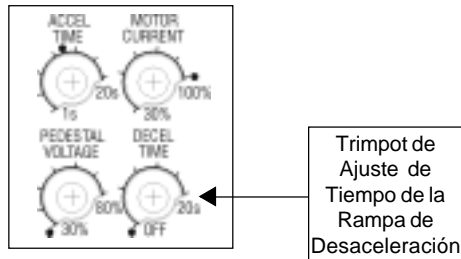
Ajuste el valor necesario para que el motor logre llegar hasta su rotación nominal.

**Nota: Tomar cuidado en los casos en que la relación de Corriente del SSW-05 Plus y de la Corriente nominal del Motor sea 1,00, pues el tiempo máximo que la SSW-05 Plus puede funcionar con  $3 \times I_n$  es de 10 segundos.**



### 12.3. Ajuste de la Rampa del Tiempo de Deceleración:

Este ajuste debe ser utilizado apenas en deceleración de Bombas, para amenizar el golpe de ariete. Este ajuste debe ser hecho para lograr el mejor resultado práctico.



### 12.4. Ajuste de la Corriente del Motor:

Este ajuste irá definir la relación de corriente del SSW-05 Plus y del Motor por el accionado. Este valor es mucho importante pues irá definir las protecciones del Motor accionado por el SSW-05 Plus. El ajuste de esta función tiene importancia directa en las siguientes protecciones del Motor: Sobrecarga, Sobrecorriente, Rotor Bloqueado, Falta de Fase.

Ejemplo de cálculo:

SSW-05 Plus utilizado: 30A

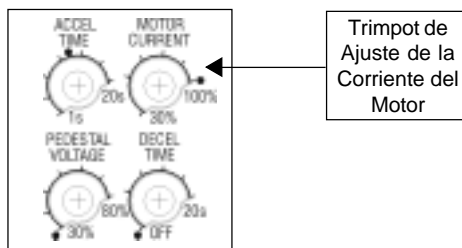
Motor utilizado: 25A

$$\text{Ajuste de la Corriente del Motor} = \frac{I_{\text{Motor}}}{I_{\text{SSW-05 Plus}}}$$

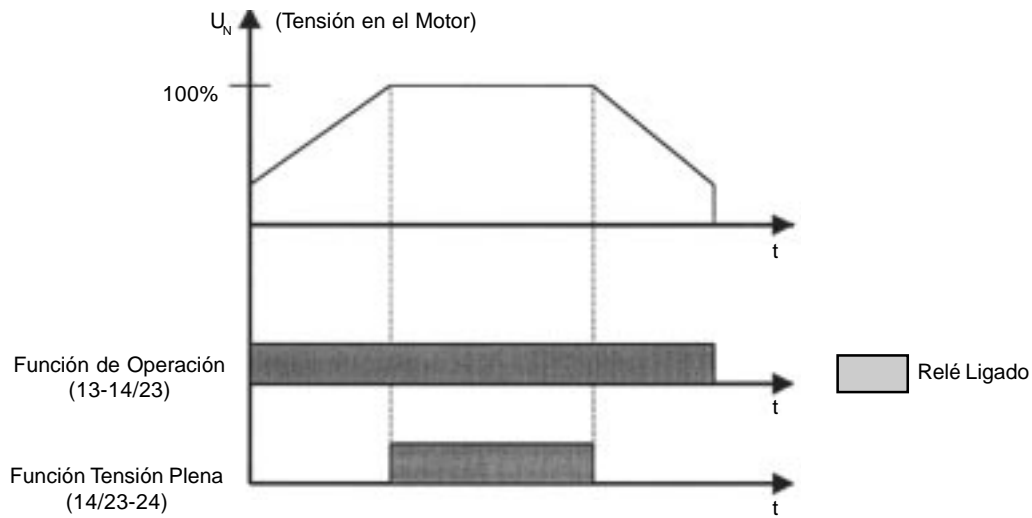
$$\text{Ajuste de la Corriente del Motor} = \frac{25A}{30A}$$

$$\text{Ajuste de la Corriente del Motor} = 0,833$$

Por tanto debe ser ajustado en 83%



### 13. FUNCIONAMIENTO DE LAS SALIDAS DIGITALES AL RELÉ:



El relé para Función de Operación cierra su contacto N.A. (13-14/23) siempre que el SSW-05 Plus recibir un comando de acciona, y este contacto solamente es abierto al final de la rampa de deceleración (cuando fuere ajustado vía trimpot) o cuando el SSW-05 Plus recibe un comando de desacciona.

El relé para Función Tensión Plena cierra su contacto N.A. (14/23-24) siempre que el SSW-05 Plus estuviere con 100% de la tensión aplicada al motor por el accionado, y este contacto es abierto cuando el SSW-05 Plus recibe un comando de desacciona.

#### 14. PROTECCIONES Y SEÑALIZACIONES:

Descripción de la Protección/Indicación	Señalización	Actuación
Sobrecorriente*	LED (Overcurrent)	Monitoramiento solamente cuando el SSW-05 Plus está en régimen (100% de la tensión). Actúa cuando la corriente del motor ultrapasa el valor de 3 veces el valor ajustado en el trimpot (Motor Current) durante un tiempo superior a 1s.
Falta de Fase*	LED (Phase Loss)	Actúa después de transcurrido 1 s de la falta de fase, tanto en la entrada cuanto en la salida (Motor). Actúa cuando la corriente que pasa por la SSW-05 es inferior al 30% de la corriente ajustada en el Trimpot (Motor Current).
Secuencia de Fase Inconcreta*	LED (Phase Seq)	El error es activado cuando la secuencia de fase estuviere incorrecta.
Rotor Trabado*	LED (Stall)	Esta protección actúa en la transición entre final de rampa de aceleración y cierre de los contactos de los relés de by-pass internos del SSW-05 Plus, caso la corriente que circula por el SSW-05 Plus fuere superior o igual a 2 veces la corriente ajustada en el trimpot (Motor Current).
Sobrecarga Electrónica del Motor*	LED (Overload)	Esta protección monitorea constantemente la corriente del motor y la compara con el valor ajustado en el trimpot (Motor Current). Ver ítem 15.
Sobrecorriente Inmediata del Relé de By-pass del SSW-05 Plus	LED (Internal Fault)	Monitoramiento solamente cuando el SSW-05 Plus está en régimen (100% de la tensión). Actúa cuando la corriente es mayor que 2 veces la corriente nominal del SSW-05 Plus, durante un tiempo superior a 1 segundo. El led internal fault irá parpadear intermitentemente 5 veces.
Sobrecorriente antes del By-pass	LED (Internal Fault)	Esta protección actúa en la transición entre final de rampa de aceleración y cierre de los contactos de los relés de by-pass internos del SSW-05 Plus, caso la corriente que circula por el SSW-05 Plus fuere superior o igual a 2 veces la corriente nominal del SSW-05 Plus. El led internal fault irá parpadear intermitentemente 4 veces.
Sobrecarga en los Tiristores	LED (Internal Fault)	Esta protección monitorea la corriente que circula por el SSW-05 Plus durante la rampa de aceleración y deceleración, y la compara con el valor de la corriente nominal del SSW-05 Plus. La curva de los tiempos de actuación de la condición de sobrecarga de los tiristores está definida en la figura 15.2 luego abajo. El led internal fault irá parpadear intermitentemente 6 veces.
Frecuencia fuera de la Tolerancia	LED (Internal Fault)	Esta protección actúa siempre que la frecuencia de la red estuviere fuera de los niveles de +/- 10% en relación a los valores nominales 50 Hz o 60Hz. El led internal fault irá parpadear 1 vez.
Contacto del Relé de By-pass interno abierto	LED (Internal Fault)	Esta protección queda monitorando si el contacto del relé de by-pass interno del SSW-05 Plus está cerrado ( funciona solamente cuando el SSW-05 Plus está en régimen - 100% de tensión). El led internal fault irá parpadear intermitentemente 3 veces.
Subtensión en la Alimentación de la Electrónica	LED (Internal Fault)	Esta protección queda monitorando siempre la tensión de alimentación de la electrónica (A1 y A2), siendo que caso la tensión quedar abajo de 80 Vac actúa la protección. El led internal fault irá parpadear intermitentemente 2 veces.
Listo para Operar	LED (Ready)	- Acceso: SSW-05 Plus con tensión, aguardando comando de acciona, o con tensión plena en la salida. - Parpadeando: SSW-05 Plus en rampa de aceleración/deceleración
En Operación	LED (Run)	Enciende solamente cuando el SSW-05 Plus está en régimen (el motor está con tensión plena).

\* Estas protecciones pueden ser habilitadas o deshabilitadas por sus respectivas llaves dip-switch.



## 15. PROTECCIÓN DE SOBRECARGA:

### 15.1. Protección de Sobrecarga Electrónica del Motor:

La protección de sobrecarga electrónica del motor hace la simulación del calentamiento del motor (Imagen Térmica). Esta simulación usa como dato de entrada el valor de corriente eficaz verdadero (True RMS). La curva con el tiempo de actuación en la condición de sobrecarga del motor está definida en la figura 15.1, siendo que la clase térmica de esta función conforme IEC 947-4-2 es la clase 10.

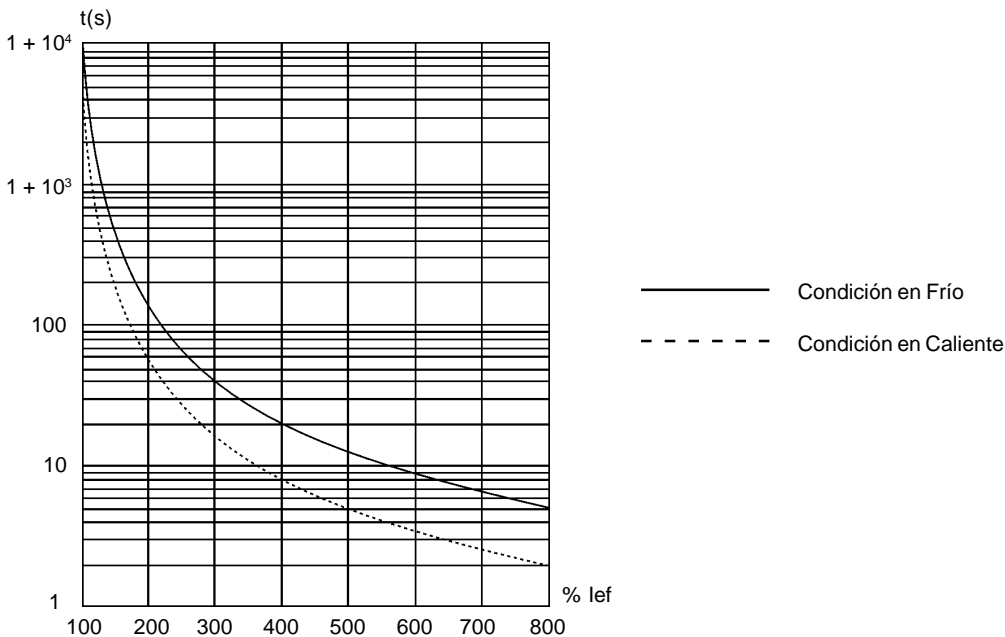


Figura 15.1 - Curva de sobrecarga electrónica del motor.

Notas:

- 1) **Cuando el SSW-05 Plus quedar sin tensión de alimentación de la electrónica (A1 y A2), el imagen térmica es salvado internamente. Al retornar la alimentación (A1 y A2) el valor del imagen térmica retorna al valor anterior a la falta de alimentación de la electrónica;**
- 2) **Al deshabilitar vía dip-switch la protección de sobrecarga electrónica el imagen térmica es llevado al valor cero;**
- 3) **El reset de la protección de sobrecarga electrónica puede ser ajustado para función manual (man), en este caso débese hacer el reset vía entrada digital 2 (DI2) o a través del botón de reset. Si el ajuste de reset estuviere ajustado para automático (auto) la condición de error es automáticamente reseteada después de transcurrir el tiempo de enfriamiento.**

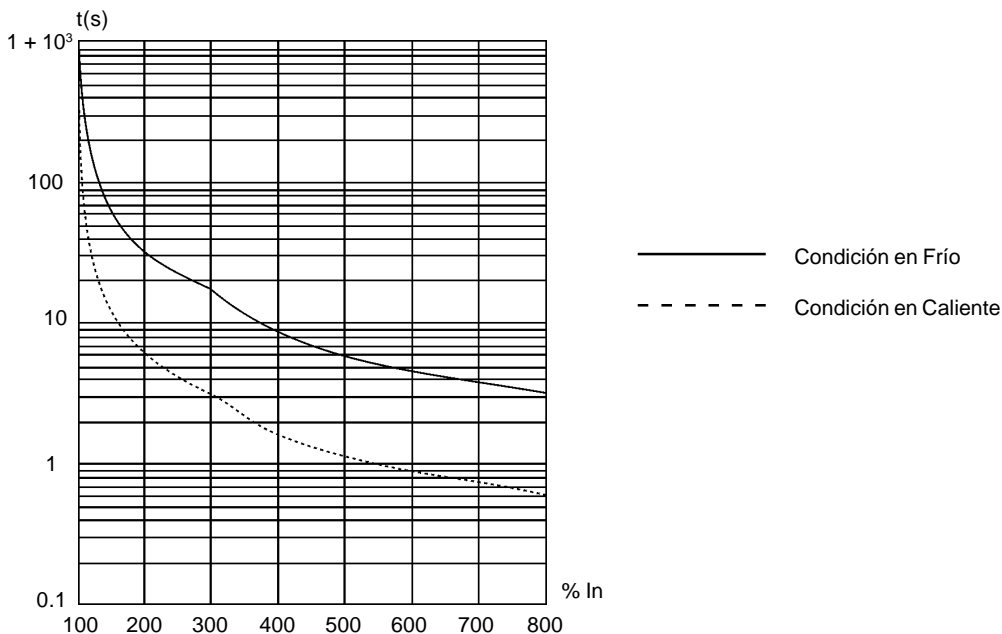


Figura 15.2 - Curva de sobrecarga electrónica de los tiristores.

**Nota:**

Con el motor operando en tensión plena, ocurre un enfriamiento de la Imagen Térmica de la protección de sobrecarga de los tiristores. El enfriamiento es debido al By-pass de los tiristores.

## 16. RESET:

Una condición de error puede ser reseteada a través del botón de reset en la parte frontal del SSW-05 Plus, o a través de una botonera de pulso (0,5 segundos) en la DI2 (Entrada digital para reset). Otra condición para efectuar reset en el SSW-05 Plus es desconectando y reconectando la tensión de la Electrónica (A1 y A2).

### Nota:

En la SSW-05 Plus existe la posibilidad de reset automático, bastando habilitar esta función vía dip-switch (auto):

- 1) El tiempo para ocurrir el reset automático después de la ocurrencia del error es de 15 minutos para las siguientes condiciones:
  - Sobrecorriente, Falta de Fase, Rotor Trabado, Sobrecorriente Inmediata del relé de By-pass del SSW-05 Plus, Sobrecorriente antes del By-pass, Frecuencia fuera de la Tolerancia, Contacto del relé de By-pass interno abierto y Subtensión en la Alimentación de la Electrónica.
- 2) Para secuencia de fase incorrecta no existe reset automático.
- 3) Para Sobrecarga electrónica del motor y de los tiristores existe un algoritmo específico para tiempo de reset automático.


### ATENCIÓN!

Tanto la entrada digital (DI2) cuanto el botón de reset en el SSW-05 Plus Plus solamente deben ser utilizados para efectuar el reset después de la ocurrencia de error. Pues caso esta función reset sea utilizada cuando el SSW-05 Plus esté en funcionamiento en tensión plena los relés internos de By-pass abrirán sus contactos bajo carga comprometiendo su vida útil.





## 17 ERRORS Y POSIBLES CAUSAS:










Cuando un error es detectado, la Soft-Starter es bloqueada (desabilitada) y el error es mostrado a través de pestañeadas en los leds o a través del display, mostrando EXX, siendo XX el código del error.

Para volver a operar normalmente la Soft-Starter después de la ocurrencia de un error es necesario resetarlo. De forma genérica esto puede ser echo a través de las siguientes formas:

- Desligando la alimentación de la electrónica y ligándola nuevamente (power-on reset);
- A través de la botonera de reset en la frontal de la SSW-05 (botonera de reset);
- A través de la HMI-SSW05-RS presionando la tecla  (reset manual);
- Automáticamente a través del reset automático. Habilitar esta función vía dip-switch (auto) o vía P106 e P220.
- Vía entrada digital DI2.

Ver en la tabla abajo detalles de reset para cada error y probables causas.

Descripción de la Protección	Señalización del Error		Reset	Causas Más Probables
	Frontal da SSW-05	HMI-SSW05-RS (ver capítulo 19.3)		
Falta de fase	LED (Phase Loss)	E03	<input checked="" type="checkbox"/> Power-on <input checked="" type="checkbox"/> Botonera reset <input checked="" type="checkbox"/> Tecla  <input checked="" type="checkbox"/> Auto-reset <input checked="" type="checkbox"/> DI2.	<input checked="" type="checkbox"/> Falta de fase da rede trifásica. <input checked="" type="checkbox"/> Corto o falla en el tiristor. <input checked="" type="checkbox"/> Motor no conectado. <input checked="" type="checkbox"/> Tipo de conexión del motor equivocada.
Sobrecarga electrónica del motor	LED (Overload)	E05	<input checked="" type="checkbox"/> Power-on <input checked="" type="checkbox"/> Tecla  <input checked="" type="checkbox"/> Auto-reset	<input checked="" type="checkbox"/> Ajuste incorrecto do trimpot "Motor Current" o de P105 (ajuste de la corriente del motor). Valor ajustado demasiado bajo para el motor utilizado. <input checked="" type="checkbox"/> Carga en el eje demasiada alta. <input checked="" type="checkbox"/> Elevado número de partidas sucesivas.
Error Externo	Disponible solamente con uso de HMI-SSW05-RS o comunicación serial (ver capítulo 19)	E06	<input checked="" type="checkbox"/> Power-on <input checked="" type="checkbox"/> Botonera reset <input checked="" type="checkbox"/> Tecla  <input checked="" type="checkbox"/> DI2.	<input checked="" type="checkbox"/> Conexión de los cables en las entradas DI1 abierta.
Error de la función Copy	Disponible solamente con uso de HMI-SSW05-RS o comunicación serial (ver capítulo 19)	E10	<input checked="" type="checkbox"/> Power-on <input checked="" type="checkbox"/> Tecla 	<input checked="" type="checkbox"/> Malo contacto en el cable de la HMI-SSW05-RS. <input checked="" type="checkbox"/> Ruido eléctrico en la instalación (interferencia electromagnética).

Descripción de la Protección	Señalización de Error		Reset	Causas Más Probables
	Frontal da SSW-05	HMI-SSW05-RS (ver capítulo 19.3)		
Falha de conexión de la HMI remota	Disponible solamente con uso de HMI-SSW05-RS o comunicación serial (ver capítulo 19)	<b>E31</b>	<input checked="" type="checkbox"/> Power-on Desaparece automáticamente cuando a HMI voltar a estabelecer comunicação normal com a Soft-Starter.	<input checked="" type="checkbox"/> Malo contacto en el cable da HMI-SSW05-RS. <input checked="" type="checkbox"/> Ruido eléctrico en la instalación (interferencia electromagnética).
Rotor bloqueado	LED (Stall)	<b>E63</b>	<input checked="" type="checkbox"/> Power-on <input checked="" type="checkbox"/> Botonera reset <input checked="" type="checkbox"/> Tecla  <input checked="" type="checkbox"/> Auto-reset <input checked="" type="checkbox"/> DI2.	<input checked="" type="checkbox"/> Tiempo da rampa de aceleración programada menor que el tiempo real de aceleración.
Sobrecarga nos tiristores	LED (Internal Fault) pestaña 6 veces	<b>E64</b>	<input checked="" type="checkbox"/> Tecla  <input checked="" type="checkbox"/> Auto-reset	<input checked="" type="checkbox"/> Carga en el eje demasiada o alta. <input checked="" type="checkbox"/> Elevado número de partidas sucesivas.
Sobre corriente	LED (Overcurrent)	<b>E66</b>	<input checked="" type="checkbox"/> Power-on <input checked="" type="checkbox"/> Botonera reset <input checked="" type="checkbox"/> Tecla  <input checked="" type="checkbox"/> Auto-reset <input checked="" type="checkbox"/> DI2.	<input checked="" type="checkbox"/> Corto circuito entre fases. <input checked="" type="checkbox"/> Eje del motor bloqueado.
Secuencia de fase incorrecta	LED (Phase Seq)	<b>E67</b>	<input checked="" type="checkbox"/> Power-on <input checked="" type="checkbox"/> Botonera reset <input checked="" type="checkbox"/> Tecla  <input checked="" type="checkbox"/> DI2.	<input checked="" type="checkbox"/> Seqüência de fase da rede de entrada invertida.
Sub. tensión en la alimentación electrónica	LED (Internal Fault) pestaña 2 veces	<b>E70</b>	<input checked="" type="checkbox"/> Power-on <input checked="" type="checkbox"/> Botonera reset <input checked="" type="checkbox"/> Tecla  <input checked="" type="checkbox"/> Auto-reset <input checked="" type="checkbox"/> DI2.	<input checked="" type="checkbox"/> Alimentación da electrónica abaixo del valor mínimo.
Contato del relee de By-pass interno abierto	LED (Internal Fault) pestaña 3 veces	<b>E71</b>	<input checked="" type="checkbox"/> Power-on <input checked="" type="checkbox"/> Botonera reset <input checked="" type="checkbox"/> Tecla  <input checked="" type="checkbox"/> Auto-reset <input checked="" type="checkbox"/> DI2.	<input checked="" type="checkbox"/> SSW-05 con defecto.
Sobre corriente antes del By-pass	LED (Internal Fault) pestaña 4 veces	<b>E72</b>	<input checked="" type="checkbox"/> Power-on <input checked="" type="checkbox"/> Botonera reset <input checked="" type="checkbox"/> Tecla  <input checked="" type="checkbox"/> Auto-reset <input checked="" type="checkbox"/> DI2.	<input checked="" type="checkbox"/> Tiempo de la rampa de aceleración programada menor que el tiempo real de aceleración.
Sobre corriente inmediata do relee de By-pass	LED (Internal Fault) pestaña 5 veces	<b>E73</b>	<input checked="" type="checkbox"/> Power-on <input checked="" type="checkbox"/> Botonera reset <input checked="" type="checkbox"/> Tecla  <input checked="" type="checkbox"/> Auto-reset <input checked="" type="checkbox"/> DI2.	<input checked="" type="checkbox"/> Curto circuito entre fases. <input checked="" type="checkbox"/> Eje del motor bloqueado.
Frecuencia fora de la tolerância	LED (Internal Fault) pestaña 1 vez	<b>E75</b>	<input checked="" type="checkbox"/> Power-on <input checked="" type="checkbox"/> Botonera reset <input checked="" type="checkbox"/> Tecla  <input checked="" type="checkbox"/> Auto-reset <input checked="" type="checkbox"/> DI2.	<input checked="" type="checkbox"/> Frecuencia de la red está fuera de los niveles de +/- 10% en relación a los valores nominales 50Hz o 60Hz.

**Nota:**

En el caso de uso de la HMI-SSW05-RS, para evitar ocurrencia de E31, se debe evitar resetar los errores a través de entrada digital (DI2) e a través de la botonera de reset presente en la frontal da SSW-05.

## 18. SOLUCIÓN DE PROBLEMAS MÁS FRECUENTES:

Problema	Punto a ser Verificado	Acción Correctiva
Motor no Gira	Error en el Cableado	1. Verificar todas las conexiones de potencia y comando.
	Falta de Alimentación	1. Verificar la alimentación de la Potencia (R, S, T) 2. Verificar la alimentación de la Electrónica (A1, A2)
	Ajuste Errado	1. Verificar si los ajustes están correctos para la aplicación.
	Error	1. Verificar si el SSW-05 Plus no está en una condición de bloqueo (ver ítem 14 – protecciones y señalizaciones).
Rotación del motor oscila (flúctua)	Conexiones Flojas	1. Desconecte el SSW-05 Plus, desconecte las alimentaciones y reapriete todas las conexiones. 2. Chequear todas las conexiones internas del SSW-05 Plus.
Rotación del motor mucho alta o mucho baja	Datos de placa del motor	1. Verificar si el motor utilizado está de acuerdo con la aplicación.
Trancos en la deceleración de Bombas	Ajustes del Soft-Starter	1. Reducir el tiempo de la rampa de deceleración.
Trancos en la aceleración	Ajustes del Soft-Starter	1. Reducir el tiempo de la rampa de aceleración. 2. Reducir el ajuste de tensión de pedestal.

## 19. DISPOSITIVOS OPCIONALES:

Este capítulo describe los dispositivos opcionales que pueden ser utilizados con la Soft-Starter. La tabla 18.1 muestra un resumen de los opcionales existentes

Nombre	Función	Ítem de Estoque WEG
CAB-RS-1	Cable para HMI remoto serial con 1m	0307.7827
CAB-RS-2	Cable para HMI remoto serial con 2m	0307.7828
CAB-RS-3	Cable para HMI remoto serial con 3m	0307.7829
MIW-02	Módulo externo para conversión de RS-232 para RS-485.	417100543
HMI-SSW05-RS	HMI remoto serial. Para uso remoto con cable CAB-RS hasta 3m.	417100996

Tabla 19.1 - Opcionales disponibles para la SSW-05

### 19.1. CAB-RS-1, CAB-RS-2, CAB-RS-3:

Cables utilizados para interconectar la Soft-Starter y el HMI remoto serial (HMI-SSW05-RS). Existen 3 opciones de cables con largos de 1,2 y 3m. Uno de estos debe ser utilizado por el usuario de acuerdo con la aplicación. El cable CAB-RS-X debe ser instalado separadamente de los cables de potencia. Debe tenerse el cuidado de separar el cable CAB-RS-X de los demás cables existentes en la instalación en una distancia mínima de 10cm.

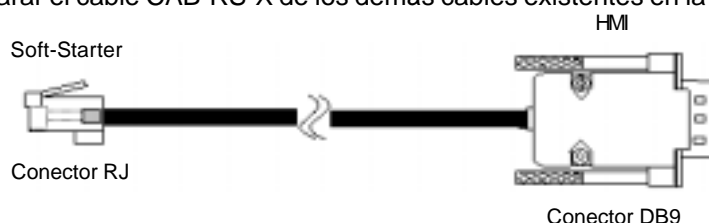


Figura 19.1- Cable CAB-RS para HMI-SSW05-RS

CONEXIÓN DE LOS CABLES			
PINES DB9		PINES RJ	
1	Vcc	1	Vcc
2	RX	6	TX
3	TX	4	RX
5	GND	5	GND

### 19.2. MIW-02:

Módulo externo para conversión de RS-232 para RS-485: permite la conexión de la SSW-05 en una red RS-485 padrón. De esta forma, la Soft-Starter puede participar de una red multipunto de hasta 1000m sin la necesidad de transductores. Para mayores detalles ver "MANUAL DEL USUARIO DEL MIW-02" (0899.4435). El manual está disponible en el sitio [www.weg.com.br](http://www.weg.com.br).

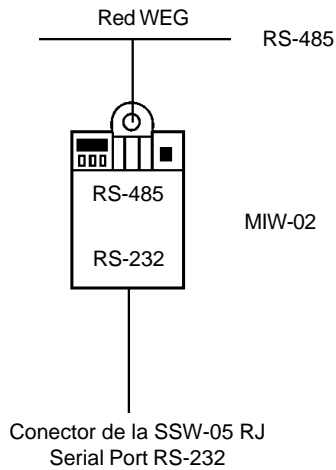


Figura 19.2 - Conexión de la SSW-05 a una red de comunicación en el padrón RS-485

### 19.3. HMI-SSW05-RS:

HMI remoto serial: Es instalado externamente a las Soft-Starters. Debe ser utilizado para los siguientes casos:

- Cuando fuere necesario un HMI remoto.
- Para instalación del HMI en puerta de panel o mesa de comando.
- Cuando necesitar la función copy.

Funciona en conjunto con el cable CAB-RS-X, el cual debe tener su largo elegido de acuerdo con la necesidad (hasta 3m).

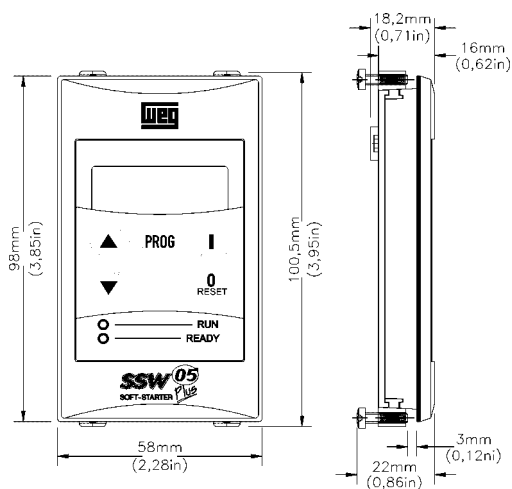


Figura 19.3 – Dimensiones del HMI-SSW05-RS

### 19.3.1. Descripción del HMI-SSW05-RS:

El HMI-SSW05-RS contiene un display de leds con 4 dígitos de 7 segmentos, 2 leds de estado y 5 teclas. La figura abajo muestra una vista frontal del HMI.

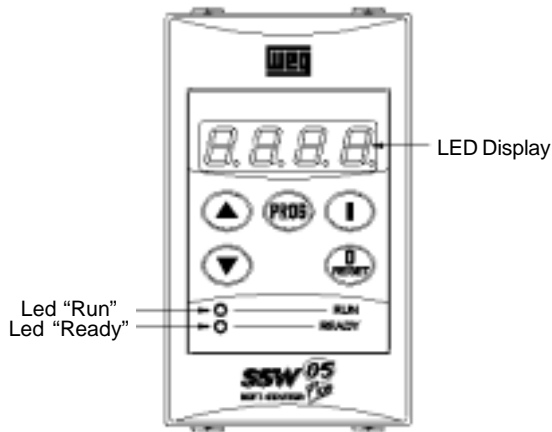


Figura 19.4 – Frontal del HMI-SSW05-RS.

#### Funciones del display de leds:

Muestra el número del parámetro o su contenido y también mensajes de error y estado.






#### Funciones de los leds “ready” y “run”

Ready - Acceso: SSW-05 Plus con tensión, aguardando comando de acciona, o con tensión plena en la salida.


- Parpadeando: SSW-05 Plus en rampa de aceleración /deceleración.

Run - Enciende solamente cuando la SSW-05 Plus está en régimen (el motor está con tensión plena).

#### Funciones básicas de las teclas:



-  - Habilita la Soft-Starter (arranque);
-  - Deshabilita la Soft-Starter (parada). Reseta la Soft-Starter luego de la ocurrencia de errores;
-  - Selecciona (conmuta) display entre número del parámetro y su valor (posición /contenido);
-  - Incluye número del parámetro o valor del parámetro.
-  - Disminuye número de parámetro o valor del parámetro.

#### Nota:

En la ocurrencia de errores juntamente con el uso de HMI-SSW05-RS, el reset de errores debe ser siempre hecho a través de la tecla . El reset a través de la tecla presente en la parte frontal de la Soft-Starter ocasiona perdida de comunicación del HMI, resultando en E31. Para reestablecer la comunicación entre HMI y la Soft-Starter es necesario desconectar y reconectar el cable serial, o entonces desenergizar y energizar nuevamente la Soft-Starter.

### 19.3.2 Uso del HMI:

El HMI es una interfaces simples que permite la operación y programación de la Soft-Starter. El mismo presenta las siguientes funciones:

- indicación del estado de operación de la Soft-Starter;
- indicación de fallas;
- visualización y alteración de los parámetros ajustables;
- operación de la Soft-Starter (teclas  y );

### 19.3.3. Señalizaciones / Indicaciones en el Display de la HMI:

Estados de la Soft-Starter:



Soft-Starter lista para accionar el motor



Soft-Starter en la situación de error. El código del error aparece pestañeando. En el caso ejemplificado tenemos la indicación de E03 (falta de fase)



Soft-Starter ejecutando función "Carga parámetros con standard de fábrica (P204)"

**Nota:**

El display también pestañea en las siguientes situaciones, además de la situación de error:

- ☑ Tentativa de alteración de un parámetro con el valor de señal incorrecta (P000 – Parámetro de acceso);
- ☑ Tentativa de alteración de un parámetro no permitido. Ejemplo: parámetros que no pueden ser cambiados con motor girando.

**19.3.4 .Visualización/ Alteración de parámetros:**

Todos los ajustes de la Soft-Starter pueden ser hechos a través de parámetros. Los parámetros son indicados en el display a través de la letra P seguida de un número:

Ejemplo (P264):



264 = nº do parámetro

Cada parámetro está asociado a un valor numérico (contenido del parámetro), que corresponde a la opción seleccionada de entre las disponibles para aquel parámetro.

Los valores de los parámetros definen la programación de la Soft-Starter o el valor de una variable (ej.: corriente, tensión). Para realizar la programación de la Soft-Starter debe alterarse el contenido del(os) parámetro(s).

ACCIÓN	DISPLAY HMI	DESCRIPCIÓN
Energizar la Soft-Starter		Soft-Starter lista para operar
Presione la tecla		
Use las teclas  y		Ubique el parámetro deseado
Presione la tecla		Valor numérico asociado al parámetro <sup>(2)</sup>
Use las teclas  y		Ajuste el novo valor deseado <sup>(2)</sup>
Presione la tecla		<sup>(1)</sup> <sup>(2)</sup>

**Nota:**

(1) Presionando la tecla luego del ajuste, el último valor ajustado es automáticamente grabado en la memoria no volátil de la Soft-Starter, quedando retenido hasta nueva alteración.

(2) Para alterar el valor de un parámetro es necesario ajustar antes P000=5. Caso contrario solo será posible visualizar los parámetros, pero no modificarlos. Para mayores detalles ver descripción detallada de P000.

### 19.3.5. Instalación del HMI-SSW05-RS:

El HMI-SSW05-RS puede ser instalado directamente en la puerta del panel (1 a 3mm), conforme los dibujos a seguir:

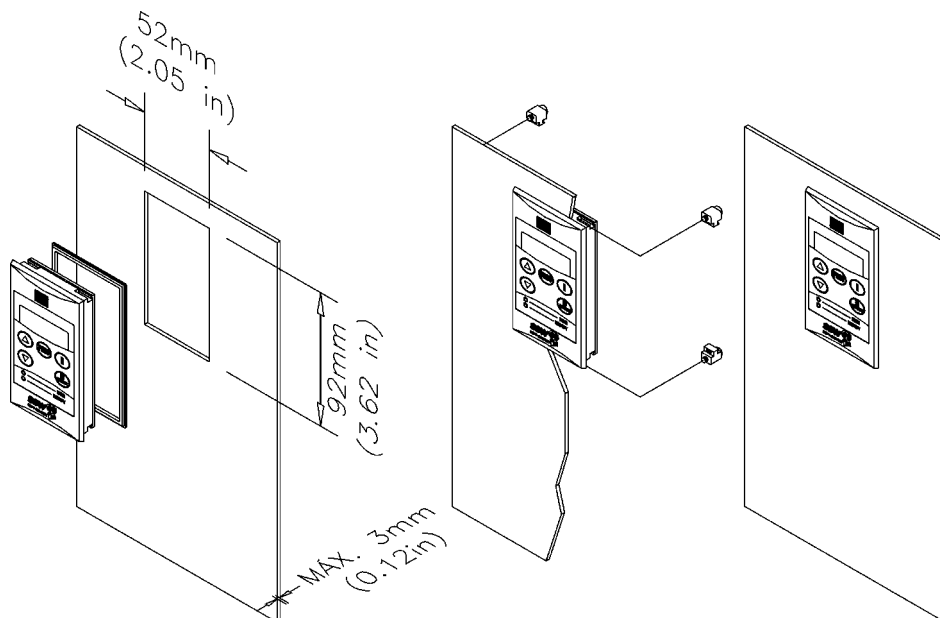



Figura 19.5 - Instalación del HMI-SSW05-RS

### 19.3.6. Puesta en Marcha del HMI-SSW05-RS:

Después de tener todo instalado (incluso el cable de interconexión), energice la Soft-Starter. El HMI-SSW05-RS deberá mostrar "rdy".

Para habilitar las teclas  y  del HMI-SSW05-RS, es necesario configurar P264 ≠ 1.

### 19.3.7. Función Copy del HMI-SSW05-RS:

El HMI-SSW05-RS presenta aún una función adicional: la función copy. Esta función es utilizada cuando hay la necesidad de transferir la programación de una Soft-Starter para otra(s). Funciona de la siguiente manera: los parámetros de una Soft-Starter ("Soft-Starter origen") son copiados para una memoria no volátil del HMI-SSW05-RS, pudiendo entonces ser salvos en otra Soft-Starter ("Soft-Starter destino") a partir de este HMI. Las funciones de lectura de los parámetros de la Soft-Starter y transferencia para otra son comandadas por el contenido del parámetro P215.

Para mayores detalles de la función copy ver descripción detallada del parámetro P215.



## 20. TABLA DE PARÁMETROS (PARA COMUNICACIÓN SERIAL / HMI-SSW05-RS):

Parámetro	Función de los Parámetros (Lectura)	Rango de Valores Internos	Ajuste de Fábrica	Ajuste del Usuario	Página
P000 <sup>(2)</sup>	Parámetro de acceso	0 ... 4, 6... 9999 = Lectura 5 = Escritura	0		51
P002	Indicación de la corriente del motor (%)	000,0 ... 999,9 (% In)			51
P003	Indicación de la corriente del motor (A)	000,0 ... 999,9 (A)			51
P023	Versión de Software				51
P050	Indicación del estado de la protección térmica del motor	0 ... 250 250 = Error			51

Parámetro	Función de los Parámetros (Lectura y Escritura)	Rango de Valores Internos	Ajuste de Fábrica	Ajuste del Usuario	Página
P101	Tensión inicial	30 ... 80 (% U <sub>N</sub> )	30		51
P102	Tiempo de rampa de aceleración	1 ... 20 (s)	10		52
P104	Tiempo de rampa de deceleración	0 ... 20 (s)	0 = off		52
P105 <sup>(1)</sup>	Ajuste de la corriente del motor	30 ... 100 (%)	100		52
P106 <sup>(1)</sup>	Configuración de las protecciones	0 ... 3F Hexadecimal	1F Hex.		52
P204 <sup>(1)</sup>	Carga parámetros con padrón de fábrica	0 = Sin función 1 = Sin función 2 = Sin función 3 = Sin función 4 = Sin función 5 = Carga Weg	0		55
P215 <sup>(1)</sup>	Función Copy	0 = Sin función 1 = SSW -> HMI 2 = HMI -> SSW	0		55
P220 <sup>(1)</sup>	Parametrización vía HMI / (Trim pots y Dip Switch)	0 = Trim pots y Dip Switch 1 = HMI	0		56
P264 <sup>(1)</sup>	Entrada digital programable DI 1	0 = Sin función 1 = Acciona / des acciona 2 = Error externo	1		56
P277 <sup>(1)</sup>	Salida a relé programable (14/23 - 24)	1 = Tensión Plena 2 = Error 3 = Com. Serial	1		56
P295 <sup>(1)(2)</sup>	Corriente nominal de la llave SSW-05	0 = 3 A 1 = 10 A 2 = 16 A 3 = 23 A 4 = 30 A 5 = 45 A 6 = 60 A 7 = 85 A	Conforme el Modelo		56
P308 <sup>(1)</sup>	Dirección en la red	1 ... 30	1		56
P313	Acción de verificación de la comunicación serial	1 = solo Error 2 = deshabilita rampa 3 = deshabilita general 4 = P264 → 1			56
P314	Tiempo de verificación de la comunicación serial	0 ... 5 (s)	0 = oFF		57

<sup>(1)</sup> Parámetros alterables solamente con motor parado

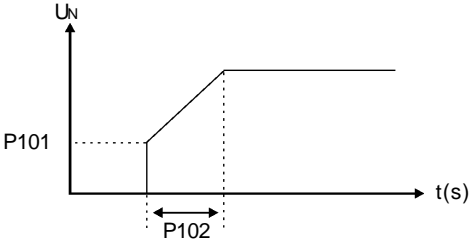
<sup>(2)</sup> Parámetros no alterados a través de la función "carga parámetros con padrón de fábrica (P204)"

## 21. CÓDIGO Y DESCRIPCIÓN DE LOS ERRORES (PARA COMUNICACIÓN SERIAL / HMI-SSW05-RS):

Indicación	Significado
E03	Falta de fase
E05	Sobrecarga en la salida (función lxt)
E06	Error externo
E10	Error de la función Copy
E2x	Errores de la comunicación serial
E22	Error de paridad longitudinal (BCC)
E24	Error de programación
E25	Variable inexistente
E26	Valor fuera del rango
E27	Tentativa de escritura en variable de lectura o comando lógico deshabilitado
E29	Error de comunicación serial cíclica interrumpida
E31	Falla de conexión del HMI remoto
E63	Rotor trabado
E64	Sobrecarga en los tiristores
E66	Sobrecorriente inmediata
E67	Secuencia de fase invertida
E70	Subtensión en la alimentación de la electrónica
E71	Contacto del relé de By-pass interno abierto
E72	Sobrecorriente antes del By-pass
E73	Sobrecorriente inmediata del relé de By-pass
E75	Frecuencia fuera del rango

## 22. DESCRIPCIÓN DETALLADA DE LOS PARÁMETROS (PARA COMUNICACIÓN SERIAL / HMI-SSW05-RS):

Parámetro	Descripción / Notas
P000 Parámetro de Acceso	<input checked="" type="checkbox"/> Libera el acceso para alteración del contenido de los parámetros; <input checked="" type="checkbox"/> El valor de la clave es 5.
P002 Indicación de la corriente del motor (%) de la In de la Soft-Starter	<input checked="" type="checkbox"/> Indica la corriente de salida de la Soft-Starter directamente en percentual de la Soft-Starter. (% In).
P003 Indicación de la corriente del motor (A)	<input checked="" type="checkbox"/> Indica la corriente de salida de la Soft-Starter directamente en amperes. <input checked="" type="checkbox"/> Para la correcta indicación de la corriente en amperes, es necesario programar P295.
P023 Versión de Software	<input checked="" type="checkbox"/> Indica la versión de software contenida en la CPU.
P050 Indicación del estado de la protección térmica del motor	<input checked="" type="checkbox"/> Indica el estado de la protección térmica del motor en escala percentual (0 ... 250). Siendo que 250 es el punto de actuación de la protección del motor, E05.
P101 Tensión Inicial (%Un)	<input checked="" type="checkbox"/> Ajusta el valor inicial de tensión (%Un) que será aplicado al motor conforme figura 22.1. <input checked="" type="checkbox"/> Con P220=0, el contenido del parámetro indica el valor ajustado a través del trimpot. En el caso del trimpot estar ajustado en el valor máximo, el valor indicado a través del parámetro puede ser un poco menor que el esperado. Esto se debe a las variaciones de los límites mecánicos. A alteración del contenido del parámetro a través de la HMI no es posible con P220=0. <input checked="" type="checkbox"/> Con P220=1, el contenido del parámetro indica el valor programado a través de la comunicación serial o HMI.

Parámetro	Descripción / Notas
	 <p data-bbox="523 539 922 566">Figura 22.1 - Rampa de Aceleración</p>
<p>P102 Tiempo de la rampa de aceleración (s)</p>	<ul style="list-style-type: none"> <li><input checked="" type="checkbox"/> Define el tiempo de la rampa de incremento de tensión, conforme mostrado en la figura 22.1.</li> <li><input checked="" type="checkbox"/> Con P220=0, el contenido del parámetro indica el valor ajustado a través del trimpot. En el caso del trimpot estar ajustado en el valor máximo, el valor indicado a través del parámetro puede ser un poco menor que el esperado. Esto se debe a las variaciones de los límites mecánicos. A alteración del contenido del parámetro a través de la HMI no es posible con P220=0.</li> <li><input checked="" type="checkbox"/> Con P220=1, el contenido del parámetro indica el valor programado a través de la comunicación serial o HMI.</li> </ul> <p><b>Nota:</b> En motores en vacío o con poca carga el tiempo de aceleración será menor que el tiempo programado en P102, debido la FCEM (Fuerza Contra Electromotriz) generada por el motor.</p>
<p>P104 Tiempo de la rampa de deceleración (s)</p>	<ul style="list-style-type: none"> <li><input checked="" type="checkbox"/> Utilizado para aplicaciones con bombas.</li> <li><input checked="" type="checkbox"/> Define el tiempo de la rampa de incremento de tensión.</li> <li><input checked="" type="checkbox"/> Con P220=0, el contenido del parámetro indica el valor ajustado a través del trimpot. En el caso del trimpot estar ajustado en el valor máximo, el valor indicado a través del parámetro puede ser un poco menor que el esperado. Esto se debe a las variaciones de los límites mecánicos. A alteración del contenido del parámetro a través de la HMI no es posible con P220=0.</li> <li><input checked="" type="checkbox"/> Con P220=1, el contenido del parámetro indica el valor programado a través de la comunicación serial o HMI.</li> </ul> <p><b>Nota:</b> Esta función es utilizada para prolongar el tiempo de desaceleración normal de una carga y no para forzar un tiempo menor que o impuesto pela própria carga.</p>
<p>P105 Ajuste de la corriente del motor (%)</p>	<ul style="list-style-type: none"> <li><input checked="" type="checkbox"/> Ajusta el valor de la corriente del motor porcentualmente en relación a corriente nominal de la Soft-Starter.</li> <li><input checked="" type="checkbox"/> El valor indicado está directamente relacionado con los niveles de actuación de las siguientes protecciones del motor: Sobrecarga, Sobrecorriente y Rotor trabado.</li> <li><input checked="" type="checkbox"/> Con P220=0, el contenido del parámetro indica el valor ajustado a través del trimpot. En el caso del trimpot estar ajustado en el valor máximo, el valor indicado a través del parámetro puede ser un poco menor que el esperado. Esto se debe a las variaciones de los límites mecánicos. A alteración del contenido del parámetro a través de la HMI no es posible con P220=0.</li> <li><input checked="" type="checkbox"/> Con P220=1, el contenido del parámetro indica el valor programado a través de la comunicación serial o HMI.</li> </ul>
<p>P106 Configuración de las protecciones</p>	<ul style="list-style-type: none"> <li><input checked="" type="checkbox"/> Con P220=0, el contenido del parámetro indica el valor ajustado a través de dip switch. En este caso la alteración del contenido del parámetro a través del HMI no es posible.</li> <li><input checked="" type="checkbox"/> Con P220=1, el contenido del parámetro indica el valor programado a través de la comunicación serial o HMI.</li> <li><input checked="" type="checkbox"/> Configura cuales protecciones están habilitadas.</li> <li><input checked="" type="checkbox"/> El valor es indicado en Hexadecimal. A seguir es presentado las protecciones y el correspondiente bit.</li> </ul>

Parámetro	Descripción / Notas
-----------	---------------------

LSB	
0	Sobrecorriente inmediata
1	Falta de fase
2	Secuencia de fase invertida
3	Rotor trabado
4	Sobrecarga Electrónica del motor
5	Reset automático
6	-
7	-
8	-
9	-
10	-
11	-
12	-
13	-
14	-
15	-
MSB	

**Ejemplo:**

**P106 = 13 Hex**

1 - Habilitado - Sobrecorriente inmediata

1 - Habilitado - Falta de fase

0 - Deshabilitado - Secuencia de fase invertida

0 - Deshabilitado - Rotor trabado

1 - Habilitado - Sobrecarga Electrónica del motor

0 - Deshabilitado - Reset automático

**13Hex = 010011bin**

La tabla a seguir presenta la combinación de las protecciones habilitadas y el correspondiente valor a ser programado en P106.

Configuración de la Protección						Valor Programado en P106 (hexadecimal)
Reset automático	Sobrecarga electrónica del motor (Overload)	Rotor bloqueado (Stall)	Secuencia de fase invertida (Phase sequence)	Falta de fase (Phase Loss)	Sobre corriente inmediata (Overcurrent)	
Bit 5	Bit 4	Bit 3	Bit 2	Bit 1	Bit 0	
					<input checked="" type="checkbox"/>	1
				<input checked="" type="checkbox"/>		2
				<input checked="" type="checkbox"/>	<input checked="" type="checkbox"/>	3
			<input checked="" type="checkbox"/>			4
			<input checked="" type="checkbox"/>		<input checked="" type="checkbox"/>	5
			<input checked="" type="checkbox"/>	<input checked="" type="checkbox"/>		6
			<input checked="" type="checkbox"/>	<input checked="" type="checkbox"/>	<input checked="" type="checkbox"/>	7
		<input checked="" type="checkbox"/>				8
		<input checked="" type="checkbox"/>			<input checked="" type="checkbox"/>	9
		<input checked="" type="checkbox"/>		<input checked="" type="checkbox"/>		A
		<input checked="" type="checkbox"/>		<input checked="" type="checkbox"/>	<input checked="" type="checkbox"/>	B
		<input checked="" type="checkbox"/>	<input checked="" type="checkbox"/>			C
		<input checked="" type="checkbox"/>	<input checked="" type="checkbox"/>		<input checked="" type="checkbox"/>	D
		<input checked="" type="checkbox"/>	<input checked="" type="checkbox"/>	<input checked="" type="checkbox"/>		E
	<input checked="" type="checkbox"/>	<input checked="" type="checkbox"/>	<input checked="" type="checkbox"/>	<input checked="" type="checkbox"/>	<input checked="" type="checkbox"/>	F
	<input checked="" type="checkbox"/>				<input checked="" type="checkbox"/>	10
	<input checked="" type="checkbox"/>				<input checked="" type="checkbox"/>	11
	<input checked="" type="checkbox"/>			<input checked="" type="checkbox"/>		12
	<input checked="" type="checkbox"/>			<input checked="" type="checkbox"/>	<input checked="" type="checkbox"/>	13
	<input checked="" type="checkbox"/>		<input checked="" type="checkbox"/>			14
	<input checked="" type="checkbox"/>		<input checked="" type="checkbox"/>		<input checked="" type="checkbox"/>	15

Parámetro	Descripción / Notas						
	Configuración de la Protección						Valor Programado en P106 (hexadecimal)
	Reset automático	Sobrecarga electrónica del motor (Overload)	Rotor bloqueado (Stall)	Secuencia de fase invertida (Phase sequence)	Falta de fase (Phase Loss)	Sobre corriente inmediata (Overcurrent)	
	Bit 5	Bit 4	Bit 3	Bit 2	Bit 1	Bit 0	
		<input checked="" type="checkbox"/>		<input checked="" type="checkbox"/>	<input checked="" type="checkbox"/>		16
		<input checked="" type="checkbox"/>		<input checked="" type="checkbox"/>	<input checked="" type="checkbox"/>	<input checked="" type="checkbox"/>	17
		<input checked="" type="checkbox"/>	<input checked="" type="checkbox"/>				18
		<input checked="" type="checkbox"/>	<input checked="" type="checkbox"/>			<input checked="" type="checkbox"/>	19
		<input checked="" type="checkbox"/>	<input checked="" type="checkbox"/>		<input checked="" type="checkbox"/>	<input checked="" type="checkbox"/>	1A
		<input checked="" type="checkbox"/>	<input checked="" type="checkbox"/>		<input checked="" type="checkbox"/>		1B
		<input checked="" type="checkbox"/>	<input checked="" type="checkbox"/>	<input checked="" type="checkbox"/>			1C
		<input checked="" type="checkbox"/>	<input checked="" type="checkbox"/>	<input checked="" type="checkbox"/>		<input checked="" type="checkbox"/>	1D
		<input checked="" type="checkbox"/>	<input checked="" type="checkbox"/>	<input checked="" type="checkbox"/>	<input checked="" type="checkbox"/>		1E
		<input checked="" type="checkbox"/>	<input checked="" type="checkbox"/>	<input checked="" type="checkbox"/>	<input checked="" type="checkbox"/>	<input checked="" type="checkbox"/>	1F
<input checked="" type="checkbox"/>							20
<input checked="" type="checkbox"/>						<input checked="" type="checkbox"/>	21
<input checked="" type="checkbox"/>					<input checked="" type="checkbox"/>		22
<input checked="" type="checkbox"/>					<input checked="" type="checkbox"/>	<input checked="" type="checkbox"/>	23
<input checked="" type="checkbox"/>				<input checked="" type="checkbox"/>			24
<input checked="" type="checkbox"/>				<input checked="" type="checkbox"/>		<input checked="" type="checkbox"/>	25
<input checked="" type="checkbox"/>				<input checked="" type="checkbox"/>	<input checked="" type="checkbox"/>		26
<input checked="" type="checkbox"/>				<input checked="" type="checkbox"/>	<input checked="" type="checkbox"/>	<input checked="" type="checkbox"/>	27
<input checked="" type="checkbox"/>			<input checked="" type="checkbox"/>				28
<input checked="" type="checkbox"/>			<input checked="" type="checkbox"/>			<input checked="" type="checkbox"/>	29
<input checked="" type="checkbox"/>			<input checked="" type="checkbox"/>		<input checked="" type="checkbox"/>		2A
<input checked="" type="checkbox"/>			<input checked="" type="checkbox"/>		<input checked="" type="checkbox"/>	<input checked="" type="checkbox"/>	2B
<input checked="" type="checkbox"/>			<input checked="" type="checkbox"/>	<input checked="" type="checkbox"/>			2C
<input checked="" type="checkbox"/>			<input checked="" type="checkbox"/>	<input checked="" type="checkbox"/>		<input checked="" type="checkbox"/>	2D
<input checked="" type="checkbox"/>			<input checked="" type="checkbox"/>	<input checked="" type="checkbox"/>	<input checked="" type="checkbox"/>		2E
<input checked="" type="checkbox"/>			<input checked="" type="checkbox"/>	<input checked="" type="checkbox"/>	<input checked="" type="checkbox"/>	<input checked="" type="checkbox"/>	2F
<input checked="" type="checkbox"/>	<input checked="" type="checkbox"/>						30
<input checked="" type="checkbox"/>	<input checked="" type="checkbox"/>					<input checked="" type="checkbox"/>	31
<input checked="" type="checkbox"/>	<input checked="" type="checkbox"/>				<input checked="" type="checkbox"/>		32
<input checked="" type="checkbox"/>	<input checked="" type="checkbox"/>				<input checked="" type="checkbox"/>	<input checked="" type="checkbox"/>	33
<input checked="" type="checkbox"/>	<input checked="" type="checkbox"/>			<input checked="" type="checkbox"/>			34
<input checked="" type="checkbox"/>	<input checked="" type="checkbox"/>			<input checked="" type="checkbox"/>		<input checked="" type="checkbox"/>	35
<input checked="" type="checkbox"/>	<input checked="" type="checkbox"/>			<input checked="" type="checkbox"/>	<input checked="" type="checkbox"/>		36
<input checked="" type="checkbox"/>	<input checked="" type="checkbox"/>			<input checked="" type="checkbox"/>	<input checked="" type="checkbox"/>	<input checked="" type="checkbox"/>	37
<input checked="" type="checkbox"/>	<input checked="" type="checkbox"/>	<input checked="" type="checkbox"/>					38
<input checked="" type="checkbox"/>	<input checked="" type="checkbox"/>	<input checked="" type="checkbox"/>				<input checked="" type="checkbox"/>	39
<input checked="" type="checkbox"/>	<input checked="" type="checkbox"/>	<input checked="" type="checkbox"/>			<input checked="" type="checkbox"/>	<input checked="" type="checkbox"/>	3A
<input checked="" type="checkbox"/>	<input checked="" type="checkbox"/>	<input checked="" type="checkbox"/>			<input checked="" type="checkbox"/>		3B
<input checked="" type="checkbox"/>	<input checked="" type="checkbox"/>	<input checked="" type="checkbox"/>	<input checked="" type="checkbox"/>				3C
<input checked="" type="checkbox"/>	<input checked="" type="checkbox"/>	<input checked="" type="checkbox"/>	<input checked="" type="checkbox"/>	<input checked="" type="checkbox"/>		<input checked="" type="checkbox"/>	3D
<input checked="" type="checkbox"/>	<input checked="" type="checkbox"/>	<input checked="" type="checkbox"/>	<input checked="" type="checkbox"/>	<input checked="" type="checkbox"/>	<input checked="" type="checkbox"/>		3E
<input checked="" type="checkbox"/>	<input checked="" type="checkbox"/>	<input checked="" type="checkbox"/>	<input checked="" type="checkbox"/>	<input checked="" type="checkbox"/>	<input checked="" type="checkbox"/>	<input checked="" type="checkbox"/>	3F

= protección habilitada

Parámetro	Descripción / Notas
P204 Carga parámetros con patrón de fábrica	<input checked="" type="checkbox"/> Reprograma todos los parámetros para los valores del padrón de fábrica, haciéndose P204 = 5. <input checked="" type="checkbox"/> Los parámetros P000 y P295 no son alterados cuando se carga los ajustes de fábrica a través de P204 = 5.

P215  
Función Copy

La función copy es utilizada para transferir el contenido de los parámetros de una soft starter para otra(s).

**Nota:** La función copy solamente está disponible vía HMI-SSW05-RS.


P215	Acción	Explicación
0	Sin función	-
1	Copy (SSW → HMI)	Transfiere el contenido de los parámetros actuales de la Soft-Starter para la memoria no volátil del HMI-SSW05-RS (EEPROM). Los parámetros actuales de la Soft-Starter permanecen inalterados.
2	Paste (HMI → SSW)	Transfiere el contenido de la memoria no volátil del HMI-SSW05-RS (EEPROM) para los parámetros actuales de la Soft-Starter.

Procedimiento a ser utilizado para copiar la parametrización de la Soft-Starter A para la Soft-Starter B:

1. Conectar el HMI-SSW05-RS en la Soft-Starter que se quiere copiar los parámetros (Soft-Starter A – fuente).
2. Hacer P215=1 (copy) para transferir los parámetros de la Soft-Starter A para el HMI-SSW05-RS. Presionar la tecla **PROG**. Mientras estuviere sendo realizada la función

copy el display muestra . P215 volta automaticamente para 0 (Inactiva) cuando la transferencia estuviere concluída.

3. Desconectar el HMI-SSW05-RS de la Soft-Starter (A).
4. Conectar este mismo HMI-SSW05-RS en la Soft-Starter para la cual se desea transferir los parámetros (Soft-Starter B – destino).
5. Hacer P215=2 (paste) para transferir el contenido de la memoria no volátil del HMI (EEPROM – conteniendo los parámetros de la Soft-Starter A) para la Soft-Starter B. Presionar la tecla **PROG**. Mientras la HMI-SSW05-RS estuviere realizando la

función paste el display indica  una abreviatura de paste. Cuando P215 volver para 0 y ocurrir el reset, la transferencia de los parámetros fue concluída. A partir de este momento las SSWs A y B estarán con el mismo contenido de los parámetros.

Para copiar el contenido de los parámetros de la Soft-Starter A para otra(s) Soft-Starter(s) repetir los pasos 4 y 5 arriba.

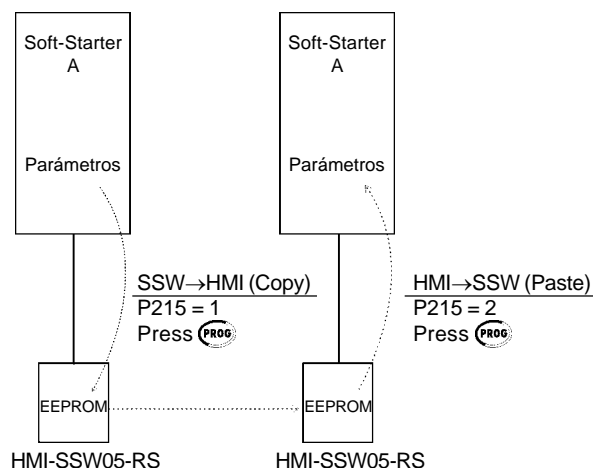


Figura 22.2 - Copia de la parametrización de la Soft-Starter A para la Soft-Starter B utilizando la función copy y HMI-SSW05-RS

Parámetro	Descripción / Notas
P220 Parametrización vía HMI / (Tripot y Dip Switch)	<p><input checked="" type="checkbox"/> Configura el modo de funcionamiento de la Soft-Starter, modo Tripot y Dip Switch o modo HMI.</p> <p>0- "(Tripot y Dip Switch)", la programación de la tensión inicial, tiempos de rampas, relación de corriente y habilitación de las protecciones, son hechas a través de los tripots y dip switch. Estos valores programados a través de comunicación serial no son usados.</p> <p>1- "HMI", la programación es hecha vía comunicación serial o vía HMI. Los valores ajustados en los tripots y dip switch no son utilizados.</p> <p><b>Nota:</b> En modo HMI (P220=1) las programaciones de los tripots y dip switch son ignoradas. La tensión inicial, tiempos de rampas, relación de corriente y habilitación de las protecciones son programadas a través de los parámetros P101, P102, P104, P105 y P106.</p>
P264 Entrada digital programable DI 1	<p><input checked="" type="checkbox"/> Configura la entrada digital DI 1 para funcionar conforme códigos descriptos:</p> <p>0- "Sin función, entrada digital DI 1 deshabilitada. Los comandos de habilitación son solamente aceptos vía comunicación serial (V03) o HMI remoto.</p> <p>1- "Acciona / des acciona", habilitación solamente vía entrada digital. Comandos de habilitación vía comunicación serial o HMI remoto son ignorados.</p> <p>2- "Error externo", actúa cuando la entrada digital DI 1 estuviere abierta. Puede servir como protección adicional de la carga. Ejemplo: Protección térmica del motor a través de contacto seco (Libre de tensión) de un relé de protección (Termostato). Los comandos de habilitación son solamente aceptos vía comunicación serial (V03) o HMI remoto.</p>
P277 Salida a relé programable (14/23 – 24)	<p><input checked="" type="checkbox"/> Habilita el relé (14/23 – 24) para funcionar conforme parametrización abajo:</p> <p>1- "Tensión Plena", el relé cierra el contacto solamente después de la Soft-Starter atngir 100% <math>U_N</math> (By-pass), y abre el contacto cuando la Soft-Starter recibe un comando de desconecta.</p> <p>2- "Error", cierra el contacto N.A. siempre que la SSW-05 estuviere sin error.</p> <p>3- "Comando Lógico", abre y cierra los contatos del relé de acuerdo con el estado del BIT 4 de la variable básica V03.</p>
P295 Corriente nominal de la llave SSW-05	<p><input checked="" type="checkbox"/> Configura el modelo de la SSW-05.</p> <p><input checked="" type="checkbox"/> Su función es ajustar el software para que la indicación de corriente en Amperes (P003) sea correcta.</p> <p>Las posibles configuraciones del modelo son:</p> <p>0 = 3A 1 = 10A 2 = 16A 3 = 23A 4 = 30A 5 = 45A 6 = 60A 7 = 85A</p>
P308 Dirección en la red	<p><input checked="" type="checkbox"/> Define la dirección que la Soft-Starter irá responder en la red de comunicación entre todos los equipamientos que en ella estuviere conectados.</p>
P313 Acción de verificación de la comunicación serial	<p><input checked="" type="checkbox"/> Este parámetro tiene por finalidad ajustar la acción a ser tomada en conjunto con la indicación del Error.</p> <p><b>Nota:</b> Para que este parámetro tenga función es necesario que P314 sea diferente de 0=Off.</p> <p><b>Valores de P313:</b></p> <p>1- Solamente indica Error12.</p> <p>2- Indica Error y deshabilita la Soft-Starter por rampa. Caso esté programado tiempo de deceleración igual a 0seg, la parada del motor accionado por la Soft-Starter será por inercia.</p> <p>3- Indica Error y deshabilita general laa Soft-Starter. Funciona como Emergencia.</p> <p>4- Indica Error y parametriza P264 con valor 1. El bit 0 de V03 es reseteado.</p>

Parámetro	Descripción / Notas
P314 Tiempo de verificación de la comunicación serial	<input checked="" type="checkbox"/> Este parámetro tiene como función habilitar o deshabilitar bien como ajustar el tiempo de verificación de la comunicación serial. Esta protección actúa cuando la comunicación serial entre el maestro y la Soft-Starter fuere interrumpida, ocasionando indicación y o acción conforme ajuste del parámetro P313. <b>Nota:</b> Habilite esta función solamente si hubiere comunicación serial cíclica con un maestro. Ajuste el tiempo de verificación conforme el tiempo entre telegramas enviados por el maestro.



## **23. ANEXOS PARA CONFORMIDAD CE:**

La línea SSW-05 Plus, fue probada para atender las siguientes directivas:

### **23.1. Directivas EMC y LVD:**

EMC Directive 89/336/EEC (Electromagnetic Compatibility), usando un Technical Construction File y las siguientes normas:

EN60947-4-2: Low voltage switchgear and controlgear - Part 4. Contactors and motor-starters - section 2. AC semiconductor motor controllers and starters.

Low Voltage Directive (LVD) 73/23/EEC.

### **¡ATENCIÓN!**

La línea SSW-05 Plus fue proyectada como equipamiento clase A (uso industrial). El uso del producto en ambientes domésticos puede causar radio interferencia, en este caso el usuario talvez necesite utilizar métodos adicionales de reducción de esta interferencia.

### **Nota:**

La conformidad de las Soft-Starters a las normas no garante la conformidad de la instalación entera. Muchos otros factores pueden influenciar la instalación total. Solamente mediciones directas en la instalación pueden verificar total conformidad.

## **23.2. Exigencias para Instalaciones Conformes:**

### **23.2.1. Directiva EMC:**

Los siguientes ítemes son exigidos para conformidad CE:

1. Las Soft-Starters deben ser instaladas dentro de paneles o cajas metálicas que posean tapa con posibilidad de apertura solamente con uso de herramienta o llave. Ventilación adecuada debe ser providenciada para garantizar que la temperatura quede dentro de los límites permitidos.

### **23.2.2. Directiva Baja Tensión (LVD):**

Los siguientes ítemes son exigidos para conformidad CE:

1. Lo mismo del ítem 1. para Directiva EMC.
2. La instalación debe proveer un equipamiento para des-conexión de la red (seccionamiento). Una seccionadora operada manualmente debe ser instalada para cada red alimentadora y próxima visualmente de la Soft-Starter. Esta seccionadora debe desconectar la Soft-Starter de la red cuando necesario (por ejemplo durante a instalación/mantenimiento). Vea EN60204-1.5.3. Especificar la corriente y la tensión de la seccionadora de acuerdo con los datos del ítem 6.

### **¡PELIGRO!**

La Soft-Starter no debe ser utilizada como mecanismo de parada de emergencia (vea EN60204, 9.2.5.4).

24. Declaración de la Conformidad CE:



**EU DECLARATION OF CONFORMITY CE**

We

Manufacturer's Name: **WEG Indústrias S/A - Automação**

Address: Rua Waldemar Grubba, 3000

89256-900 Jaraguá do Sul - SC - Brazil

Telephone: +55 47 372 4515

Fax: +55 47 372 4020

And our representative established within the European Community:

**WEG France**

Parc Silic Rhône Alpes

17, rue de Bruxelles

38070 St. Quentin Fallavier - France

Telephone: +33 474 991135

Fax: +33 474 991144

Herewith declare that the product: **SSW-05 Soft-Starter**

Models: **SSW05 ... T ... PZ**

Has been designed and manufactured in accordance with the following standards:

**EN 50178 (1997) Electronic Equipment for Use in Power Installations**

**EN 60204-1 (1997) Safety of Machinery - Electrical Equipment of Machines - Part 1: General Requirements**

**EN 60947-4-2 (1999) Low-voltage Switchgear and Controlgear - Part 4-2: AC Semiconductor Motor Controllers and Starters**

Technical Construction File N° WEG002-2002

Prepared by: WEG Indústrias S/A - Automação

Function: Manufacturer

Date: 02/Sep/2002

Competent Body:

Name: SGS United Kingdom Ltd.

Address: South Industrial Estate - Bowburn - Co. Durham -  
United Kingdom - DH6 5AD

Certification N°: DUR24183/CST/AR/02

and when installed in accordance with the installation recommendations contained in the product documentation, conforms to relevant provisions of:

Low Voltage Directive 73/23/EEC as amended by the Directive 93/68/EEC and  
EMC Directive 89/336/EEC as amended by 92/31/EEC and 93/68/EEC.

Year of CE Marking: 2002

  
.....  
Umberto Gobato  
WEG Indústrias S/A - Automação  
Managing Director

  
.....  
Date



## GARANTIA SSW-05 Plus

WEG Indústrias S.A – Automação, establecida en la Av. Prefeito Waldemar Grubba nº. 3000 de la ciudad de Jaraguá do Sul - SC - Brasil, ofrece garantía para defectos de fabricación o de materiales, en los arrancadores suaves (Soft-Starters) SSW-05 Plus, conforme sigue:

1. Es condición esencial para la validez de esta garantía que la compradora examine minuciosamente el Arrancador adquirido inmediatamente luego de su entrega, observando atentamente sus características y las instrucciones de instalación, ajuste, operación y mantenimiento del mismo. El Arrancador será considerado aceptado y automáticamente aprobado por la compradora, cuando no ocurra la manifestación por escrito de la misma, en el plazo máximo de cinco días hábiles luego de la fecha de entrega.
2. El plazo de esta garantía es de doce meses contados a partir de la fecha de suministro por parte de WEG o distribuidor autorizado, comprobada a través de la factura de compra del equipamiento, limitado a veinticuatro meses a partir de la fecha de fabricación del producto, fecha esta que consta en la etiqueta de características fijada en el mismo.
3. En caso de no funcionamiento o funcionamiento inadecuado del arrancador durante el periodo de garantía, los servicios durante ésta podrán ser realizados a criterio de WAU, en su matriz en Jaraguá do Sul - SC - Brasil, o en una Asistencia Técnica Autorizada de WEG Automação, por esta indicada.
4. El producto, en la ocurrencia de una anomalía deberá estar disponible para el proveedor, por el período necesario para la identificación de la causa de la anomalía y sus debidas reparaciones.
5. WEG Automação o una Asistencia Técnica Autorizada de WEG Automação, examinará el arrancador enviado, y, en el caso de que compruebe la existencia de defecto cubierto por la garantía, reparará, modificará o substituirá el Arrancador defectuoso, a su criterio, sin costos para la compradora, excepto los mencionados en el ítem 8.0.
6. La responsabilidad de la presente garantía se limita exclusivamente a la reparación, modificación o substitución del Arrancador suministrado, no responsabilizándose WEG por daños a personas, a terceros, a otros equipamientos o instalaciones, lucro cesante o cualesquiera otros daños emergentes o consecuentes.
7. Otras expensas como fletes, embalaje, costos de montaje/desmontaje y parametrización, serán por exclusiva cuenta de la compradora, inclusive todos los honorarios y expensas de locomoción/estadía del personal de asistencia técnica, cuando fuese necesaria y/o solicitada una atención en las instalaciones del usuario.
8. La presente garantía no cubre el desgaste normal de los productos o equipamientos, ni los daños causados por operación indebida o negligencia, parametrización incorrecta, mantenimiento o almacenamiento inadecuado, operación anormal en desacuerdo con las especificaciones técnicas, instalaciones de mala calidad o influencias de naturaleza química, electroquímica, eléctrica, mecánica o atmosférica.
9. Quedan excluidas de la responsabilidad por defectos las partes o piezas consideradas de consumo, tales como partes de goma o plástico, bulbos incandescentes, fusibles, etc.
10. La garantía se extinguirá, independientemente de cualquier aviso, si la compradora sin previa autorización por escrito de WEG, hiciera o mandara hacer por terceros, eventuales modificaciones o reparaciones en el producto o equipamiento que viniera a presentarse defectuoso.
11. Cualesquiera reparaciones, modificaciones, substituciones debidas a defectos de fabricación no interrumpen ni prorrogan el plazo de esta garantía.
12. Toda y cualquier solicitud, reclamo, comunicación, etc., que se refiera a productos en garantía, asistencia técnica, start-up, deberán ser dirigidos por escrito, a la siguiente dirección: WEG AUTOMAÇÃO, A/C Departamento de Assistência Técnica, Av. Prefeito Waldemar Grubba 3000, malote 190, CEP 89256-900, Jaraguá do Sul - SC - Brasil, Telefax ++55-47-372-4200, e-mail: astec@weg.com.br.
13. La garantía ofrecida por WEG Automação está condicionada al cumplimiento de estas condiciones generales, siendo este el único término de garantía válido.

## Índice - Português

---

1. Instruções de Segurança .....	63
2. O que é a Soft-Starter SSW-05 Plus .....	63
3. Como identificar a SSW-05 Plus .....	63
4. Características Técnicas .....	64
5. Descrição da SSW-05 Plus .....	65
6. Tabela de Potências / Correntes / Fiação de Potência (cobre 70°C) .....	65
7. Tabela com torque dos Conectores .....	65
8. Capacidade da Rede de Alimentação .....	66
9. Tabela com Fusíveis e Contator .....	66
10. Dimensões .....	66
11. Como instalar e conectar a SSW-05 Plus .....	67
12. Como Ajustar a SSW-05 Plus .....	68
13. Funcionamento das Saídas digitais à Relé .....	70
14. Proteções e Sinalizações .....	71
15. Proteção de Sobrecarga .....	72
16. Reset .....	73
17. Erros e Possíveis Causas .....	73
18. Solução de Problemas mais Frequentes .....	75
19. Dispositivos Opcionais .....	75
20. Tabela de Parâmetros (para comunicação serial / HMI-SSW05-RS) .....	80
21. Código e descrição dos erros (para comunicação serial / HMI-SSW05-RS) .....	81
22. Descrição detalhada dos parâmetros (para comunicação serial / HMI-SSW05-RS) .....	81
23. Anexos para Conformidade CE .....	89
24. Declaração para Conformidade CE .....	89
Certificado de Garantia SSW-05 Plus .....	90

# MANUAL DE INSTALAÇÃO E OPERAÇÃO

**Série:** SSW-05 Plus  
**Software:** versão 2.0X  
0899.4668 /5

## Notas:

- 1) A Chave de partida estática SSW-05 foi projetada para o acionamento de motores elétricos trifásicos utilizados em cargas consideradas leves (exemplo: bombas centrífugas, ventiladores de pequeno porte e compressores a parafuso). Caso haja necessidade de aplicar em outras cargas consideradas pesadas (Heavy Duty) consultar a WEG Indústrias S.A - Divisão Automação.
- 2) A partir da versão de software V2.00, está disponível a comunicação serial. O manual da comunicação serial da SSW-05 (0899.4586) está disponível para download no endereço [www.weg.com.br](http://www.weg.com.br).  
Com a comunicação serial é possível:
  - a) ligação da Soft-Starter numa rede de equipamentos, como PC, CLP e outros;
  - b) o uso com o software SuperDrive (417102505) para Microsoft Windows, permitindo a programação e operação da SSW-05.
  - c) o uso da HMI (interface homem máquina) remota para programação e operação da SSW-05.

## 1. INSTRUÇÕES DE SEGURANÇA:

**Sempre desenergize o equipamento antes de efetuar manutenção.**

Leia e compreenda este manual antes de instalar e operar a Soft-Starter SSW-05 Plus. A instalação e ajustes deste equipamento devem ser executados somente por pessoas com treinamento e qualificação técnica adequados, obedecendo aos procedimentos legais de segurança.

## 2. O QUE É A SOFT-STARTER SSW-05 PLUS:

É um equipamento que permite partir e parar suavemente motores de indução trifásicos.

## 3. COMO IDENTIFICAR A SSW-05 PLUS:

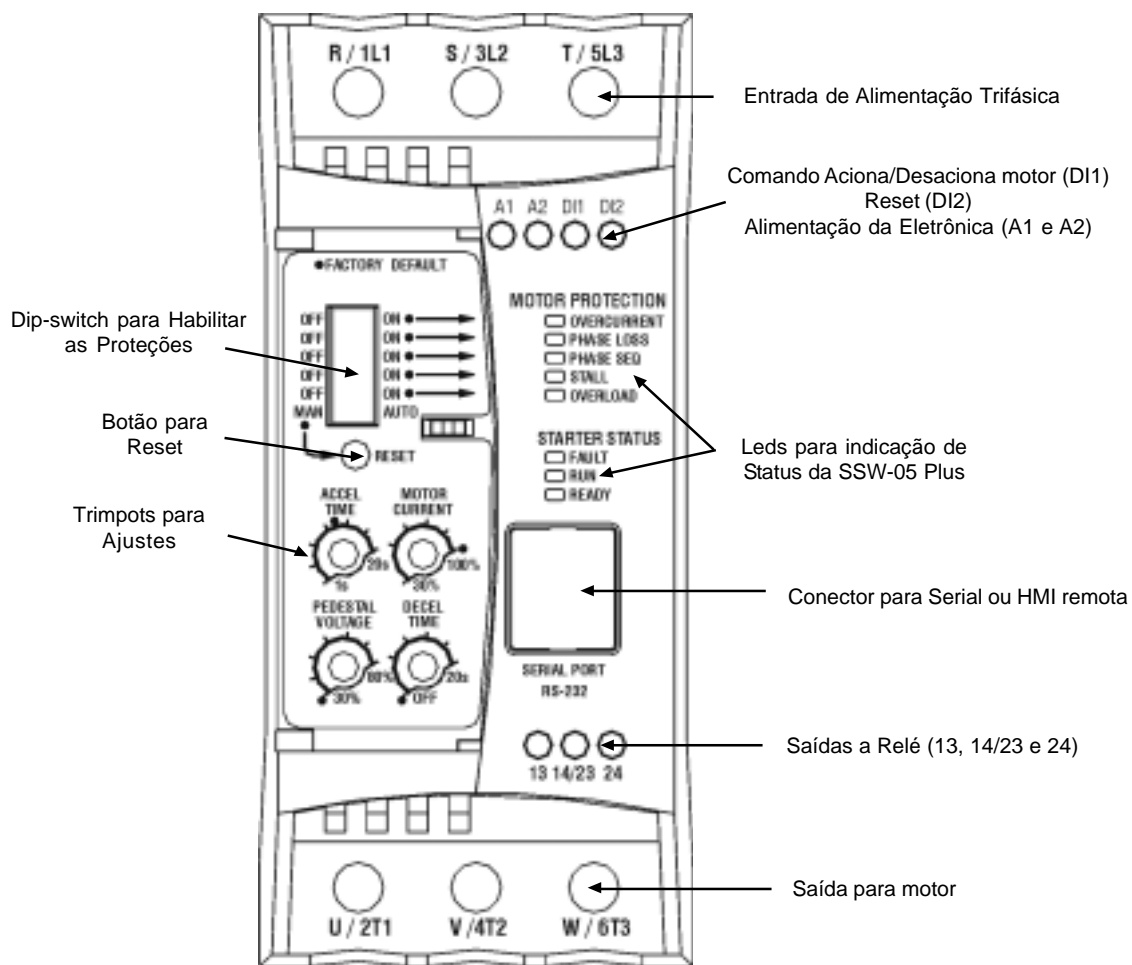
SSW05	0003	T	2246	P	P	Z
Soft-Starter WEG Série 05	Corrente nominal de saída: 0003 = 3A 0010 = 10A 0016 = 16A 0023 = 23A 0030 = 30A 0045 = 45A 0060 = 60A 0085 = 85A	Alimentação Trifásica de Entrada	Tensão de Alimentação de entrada: 2246 = 220 a 460V 4657 = 460 a 575V	Idioma do Manual: P= Português E= Inglês S= Espanhol	Versão da SSW-05: P= Plus	Fim de código

Exemplo: O código **SSW050010T2246PPZ**, portanto, é uma SSW-05 Plus de 10A, Tensão de alimentação trifásica de 220 a 460V, Manual em Português, versão PLUS.

#### 4. CARACTERÍSTICAS TÉCNICAS:

Modelo		SSW-05 Plus
Alimentação	Tensão de Controle (A1 e A2)	90 ... 250Vac 50/60 Hz (+/- 6Hz) 200 mA
	Tensão da Potência (R/1L1, S/3L2, T/5L3)	220 ... 460 Vac (+10%, -15%) 50/60 Hz (+/- 5Hz) 3φ 460 ... 575 Vac (+10%, -15%) 50/60 Hz (+/- 5Hz) 3φ
Ajustes	Tensão Inicial	30 ... 80% U <sub>N</sub>
	Tempo de Aceleração	1 ... 20 s
	Tempo de Desaceleração	Off ... 20 s
	Corrente do Motor	30 ... 100% I <sub>N</sub>
Proteções		Sobrecarga Eletrônica do Motor
		Sequência de Fase Incorreta
		Falta de Fase
		Sobrecorrente Imediata
		Rotor Bloqueado
		Sobrecarga nos Tiristores
		Sobrecorrente Imediata no Relé de By-pass
		Sobrecorrente antes do By-pass
		Frequência fora da tolerância
		Contato do Relé de By-pass interno aberto
	Subtensão na Alimentação da Eletrônica	
Capacidade	Número Máximo de Partidas por hora	4 ( 1 a cada 15 minutos)
	Ciclo de Partida	3 x I <sub>N</sub> durante 10 segundos
Entradas Digitais (90...250Vac 6mA)		DI1 – Função Aciona/Desaciona DI2 – Função Reset
Saídas Digitais à Relé (1A 250Vac)		Função Operação (13 – 14/23) Função Tensão Plena (14/23 – 24)
Comunicação		Interface Serial (RS232C)
Condições Ambientais	Temperatura	0 ... 55°C
	Umidade	5 ... 90% sem condensação
	Altitude	0 ... 1000m (até 4000m com redução de 10% / 1000m na corrente de saída)
Grau de Proteção		IP 00 (Chassis)
Grau de Poluição (UL508)		2
Mecânica	Fixação	Trilho DIN 35mm ou Parafusos M4
	Invólucro	Plástico Injetado
Conformidade/ Normas	Emissão Eletromagnética Conduzida (EMC)	Classe A (Uso Industrial) Norma IEC 60947-4-2
	Baixa Tensão	UL 508 / IEC 60947-4-2

## 5. DESCRIÇÃO DA SSW-05 PLUS:



## 6. TABELA DE POTÊNCIAS / CORRENTES / FIAÇÃO DE POTÊNCIA (COBRE 70°C):

Modelo	Corrente Nominal	Mecânica	220V...240V		380V...415V		440V...480V		Fiação da Potência mm <sup>2</sup> (AWG)
			cv	kW	cv	kW	cv	kW	
SSW-05.3	3A	1	0,75	0,55	1,5	1,1	2	1,5	0,75 (18)
SSW-05.10	10A		3	2,2	6	4,5	7,5	5,5	1,5 (16)
SSW-05.16	16A		5	3,7	10	7,5	12,5	9,2	4 (12)
SSW-05.23	23A		7,5	5,5	15	11	15	11	6 (10)
SSW-05.30	30A		10	7,5	20	15	20	15	10 (8)
SSW-05.45	45A	2	15	11	30	22	30	22	16 (6)
SSW-05.60	60A		20	15	40	30	40	30	25 (4)
SSW-05.85	85A		30	22	60	45	60	45	35 (2)

As potências acima são para motores Standard 4 pólos WEG.

## 7. TABELA COM TORQUE DOS CONECTORES:

Mecânica da SSW-05 Plus	Torque nos Bornes da Eletrônica (A1, A2, DI1, DI2, 13, 14/23 e 24) Nm (lb-in)	Torque nos Bornes da Potência (R, S, T, U, V e W) Nm (lb-in)
1	0,5 (4,5)	3,0 (32,7)
2	0,5 (4,5)	5,5 (60,0)

## 8. CAPACIDADE DA REDE DE ALIMENTAÇÃO:

A SSW-05 Plus é adequada para ser utilizada num circuito capaz de fornecer não mais que  $X A_{RMS}$  (Conforme tabela abaixo) ampéres simétricos, Y Volts máximo:

Modelo da SSW-05 Plus	Y = 220- 575V X (kA)
3A	5
10A	5
16A	5
23A	5
30A	5
45A	5
60A	5
85A	10

## 9. TABELA COM FUSÍVEIS E CONTATOR (VER ITEM 11):

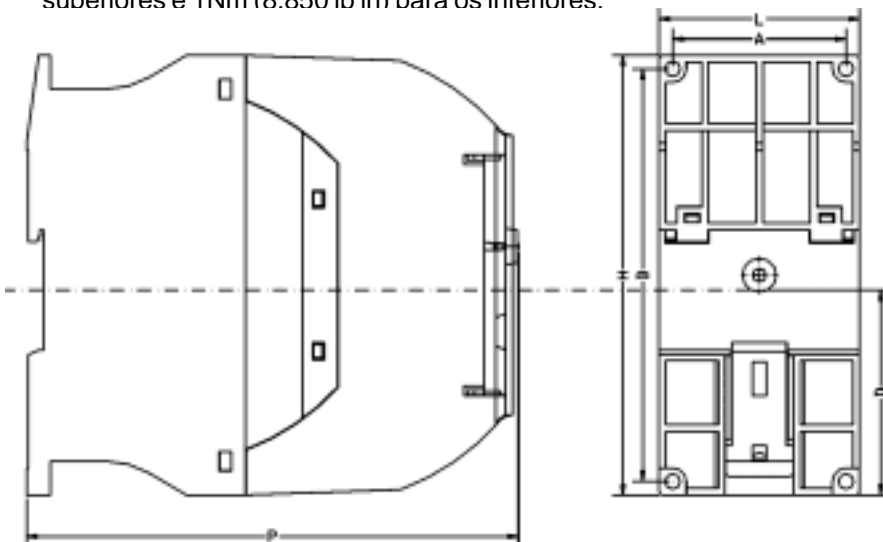
Corrente da SSW-05 Plus	Contator (K1)	Fusível (F1, F2,F3)	Fusível (F11, F12, F21)
3A	CWM09	Tipo D 10A	Tipo D 6A
10A	CWM12	Tipo D 16A	
16A	CWM18	Tipo D 25A	
23A	CWM25	Tipo D 35A	
30A	CWM32	Tipo D 50A	
45A	CWM50	Tipo D 63A	
60A	CWM65	Tipo NH 100A	
85A	CWM95	Tipo NH 125A	

## 10. DIMENSÕES:

Mecânica	Largura L (mm)	Altura H (mm)	Profundidade P (mm)	Fixação A (mm)	Fixação B (mm)	Fixação D (mm)	Fixação	Peso (kg)
1	59	130	145	51	122	61	Paraf. M4 / Trilho	0,74
2	79	185	172	71	177	99	Paraf. M4 / Trilho	1,67

### Notas:

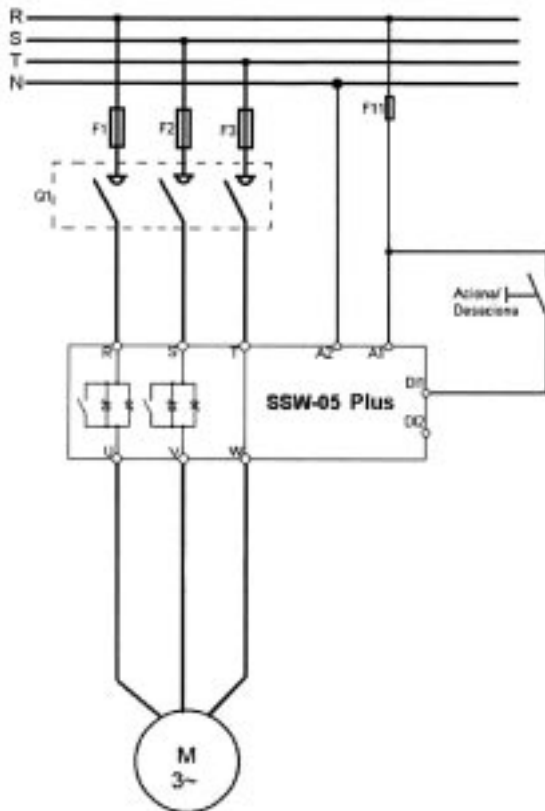
- 1) A fixação da SSW-05 Plus pode ser feita em trilho DIN 35mm de abas iguais.
- 2) No caso de fixação através de parafuso M4 o torque não deve ser maior que 0,2Nm (1,77 lb in) para os parafusos superiores e 1Nm (8.850 lb in) para os inferiores.





## 11. COMO INSTALAR E CONECTAR A SSW-05 PLUS:

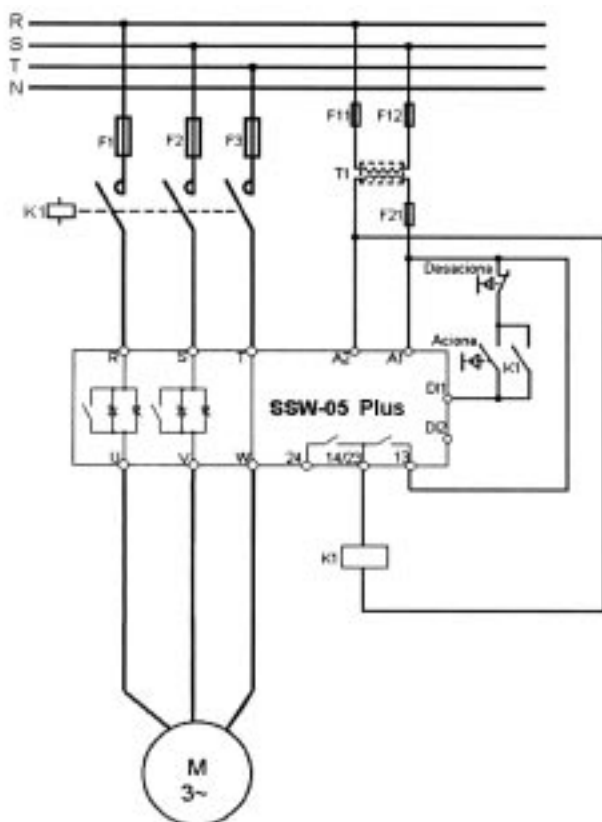
### 11.1. Partida e Parada Simplificada:



Simbologia	Descrição
	Fusível
	Seccionadora (Abertura sob Carga)
	Transformador
	Chave N.A (Com retenção)
	Botão N.F (Com retorno Automático)
	Botão N.A (Com retorno Automático)
	Contator (Bobina)
	Motor de Indução Trifásico

O transformador "T1" apenas é necessário quando a tensão da rede for diferente da faixa permitida para alimentação da Eletrônica (90 – 250Vac). Para 380V utilizar o neutro (N) e uma fase.

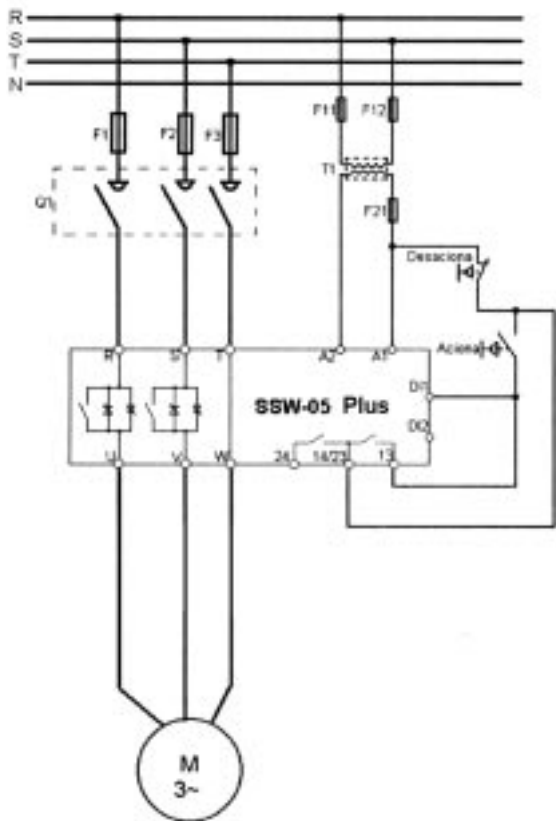
### 11.2. Partida e Parada utilizando Contator e Botoeiras:



Simbologia	Descrição
	Fusível
	Seccionadora (Abertura sob Carga)
	Transformador
	Chave N.A (Com retenção)
	Botão N.F (Com retorno Automático)
	Botão N.A (Com retorno Automático)
	Contator (Bobina)
	Motor de Indução Trifásico

O transformador "T1" apenas é necessário quando a tensão da rede for diferente da faixa permitida para alimentação da Eletrônica (90 – 250Vac). Para 380V utilizar o neutro (N) e uma fase.

### 11.3. Partida e Parada utilizando Botoeiras e Relé de Operação da SSW-05 Plus:



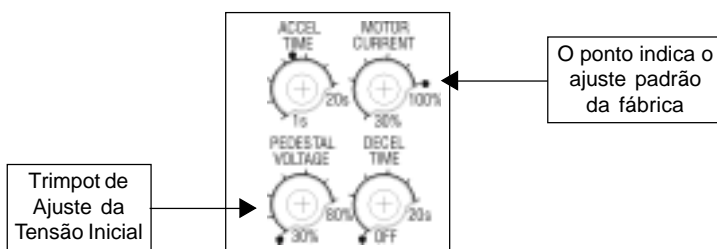
Simbologia	Descrição
	Fusível
	Seccionadora (Abertura sob Carga)
	Transformador
	Chave N.A (Com retenção)
	Botoeira N.F (Com retorno Automático)
	Botoeira N.A (Com retorno Automático)
	Contator (Bobina)
	Motor de Indução Trifásico

O transformador "T1" apenas é necessário quando a tensão da rede for diferente da faixa permitida para alimentação da Eletrônica (90 – 250Vac). Para 380V utilizar o neutro (N) e uma fase.

## 12. COMO AJUSTAR A SSW-05 PLUS:

### 12.1. Ajuste da Tensão Inicial:

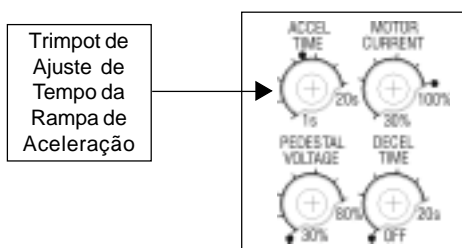
Ajuste o valor de tensão inicial para o valor que comece a girar o motor acionado pela SSW-05 Plus tão logo esta receba o comando de aciona.



### 12.2. Ajuste da Rampa do Tempo de Aceleração:

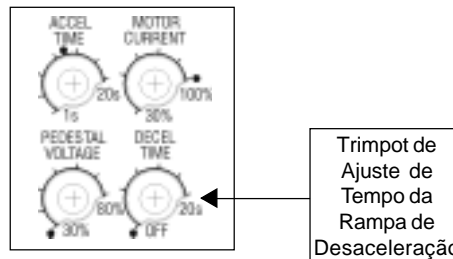
Ajuste o valor necessário para que o motor consiga chegar a sua rotação nominal.

**Nota: Tomar cuidado para que nos casos em que a relação da Corrente da SSW-05 Plus e da Corrente nominal do Motor é 1,00 o tempo máximo que a SSW-05 Plus pode funcionar com 3 x In é de 10 segundos.**



### 12.3. Ajuste da Rampa do Tempo de Desaceleração:

Este ajuste deve ser utilizado apenas em desaceleração de Bombas, para amenizar o golpe de aríete. Este ajuste deve ser feito para conseguir o melhor resultado prático.



### 12.4. Ajuste da Corrente do Motor:

Este ajuste irá definir a relação de corrente da SSW-05 Plus e do Motor por ela acionado. Este valor é muito importante pois irá definir as proteções do Motor acionado pela SSW-05 Plus. O ajuste desta função tem importância direta nas seguintes proteções do Motor: Sobrecarga, Sobrecorrente, Rotor Bloqueado, Falta de Fase.

Exemplo de cálculo:

SSW-05 Plus utilizada: 30A

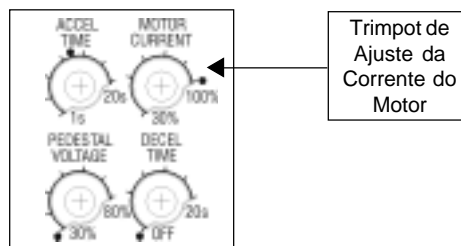
Motor utilizado: 25A

$$\text{Ajuste da Corrente do Motor} = \frac{I_{\text{Motor}}}{I_{\text{SSW-05 Plus}}}$$

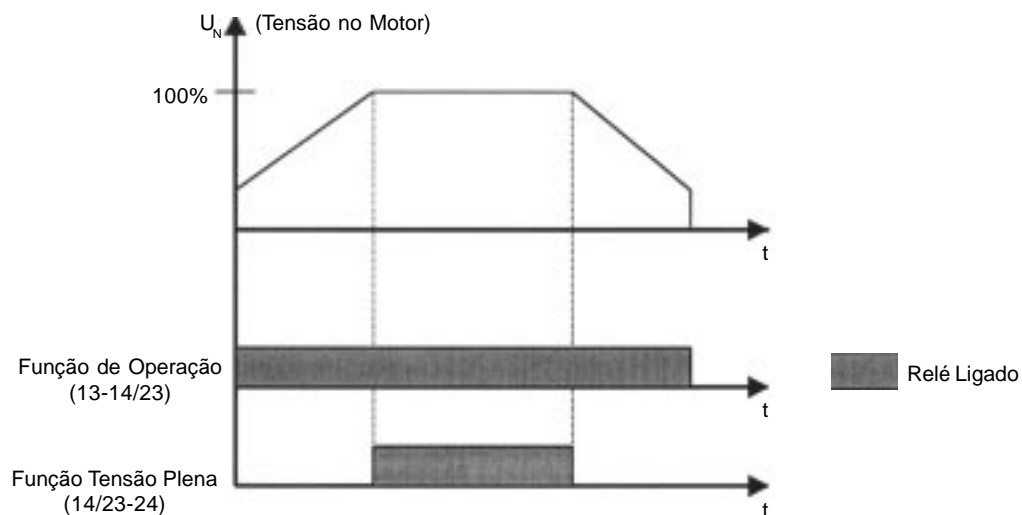
$$\text{Ajuste da Corrente do Motor} = \frac{25A}{30A}$$

$$\text{Ajuste da Corrente do Motor} = 0,833$$

Portanto deve ser ajustado em 83%



### 13. FUNCIONAMENTO DAS SAÍDAS DIGITAIS À RELÉ:



O relé para Função de Operação fecha o seu contato N.A. (13 - 14/23) sempre que a SSW-05 Plus receber um comando de aciona, e este contato somente é aberto no final da rampa de desaceleração (quando esta estiver ajustada via trimpot) ou quando a SSW-05 Plus recebe um comando de desaciona.

O relé para Função Tensão Plena fecha o seu contato N.A. (14/23 - 24) sempre que a SSW-05 Plus estiver com 100% da tensão aplicada ao motor por ela acionado, e este contato é aberto quando a SSW-05 Plus recebe um comando de desaciona.

#### 14. PROTEÇÕES E SINALIZAÇÕES:

Descrição da Proteção/Indicação	Sinalização	Atuação
Sobrecorrente*	LED (Overcurrent)	Monitoramento apenas quando a SSW-05 Plus está em regime (100% de tensão). Atua quando a corrente do motor ultrapassa o valor de 3 vezes o valor ajustado no trimpot (Motor Current) durante um tempo superior a 1 s.
Falta de Fase*	LED (Phase Loss)	Atua após transcorrido 1 s da falta de fase, tanto na entrada quanto saída (Motor). Atua quando a corrente que circula pela SSW-05 for inferior a 30% da corrente ajustada no trimpot (Motor Current).
Sequência de Fase Incorreta*	LED (Phase Seq)	O erro é ativado quando a seqüência de fase está incorreta.
Rotor Bloqueado*	LED (Stall)	Esta proteção atua na transição entre final da rampa de aceleração e fechamento dos contatos dos relés de by-pass internos da SSW-05 Plus, caso a corrente que circula pela SSW-05 Plus for superior ou igual a 2 vezes a corrente ajustada no trimpot (Motor Current).
Sobrecarga Eletrônica do Motor*	LED (Overload)	Esta proteção monitora constantemente a corrente do motor e a compara com o valor ajustado no trimpot (Motor Current). Ver item 15.
Sobrecorrente Imediata do Relé de By-pass da SSW-05 Plus	LED (Internal Fault)	Monitoramento apenas quando a SSW-05 Plus está em regime (100% de tensão). Atua quando a corrente é maior que 2 vezes a corrente nominal da SSW-05 Plus, durante um tempo superior que 1 segundo. O led internal fault irá piscar intermitentemente 5 vezes.
Sobrecorrente antes do By-pass	LED (Internal Fault)	Esta proteção atua na transição entre final da rampa de aceleração e fechamento dos contatos dos relés de by-pass internos da SSW-05 Plus, caso a corrente que circula pela SSW-05 Plus for superior ou igual a 2 vezes a corrente nominal da SSW-05 Plus. O led internal fault irá piscar intermitentemente 4 vezes.
Sobrecarga nos Tiristores	LED (Internal Fault)	Esta proteção monitora a corrente que circula pela SSW-05 Plus durante a rampa de aceleração e desaceleração, e a compara com o valor da corrente nominal da SSW-05 Plus. A curva dos tempos de atuação da condição de sobrecarga dos tiristores está definida na figura 15.2 logo abaixo. O led internal fault irá piscar intermitentemente 6 vezes.
Frequência fora da Tolerância	LED (Internal Fault)	Esta proteção atua sempre que a frequência da rede estiver fora dos níveis de +/- 10% em relação aos valores nominais 50 Hz ou 60Hz. O led internal fault irá piscar 1 vez.
Contato do Relé de By-pass interno aberto	LED (Internal Fault)	Esta proteção fica monitorando se o contato do relé de by-pass interno da SSW-05 Plus está fechado ( funciona apenas quando a SSW-05 Plus está em regime - 100% de tensão). O led internal fault irá piscar intermitentemente 3 vezes.
Subtensão na Alimentação da Eletrônica	LED (Internal Fault)	Esta proteção fica monitorando sempre a tensão de alimentação da eletrônica (A1 e A2), sendo que caso a tensão ficar abaixo de 80 Vac atua a proteção. O led internal fault irá piscar intermitentemente 2 vezes.
Pronto para Operar	LED (Ready)	- Aceso: SSW-05 Plus com tensão, aguardando comando de aciona, ou com tensão plena na saída. - Piscando: SSW-05 Plus em rampa de aceleração/desaceleração
Em Operação	LED (Run)	Acende somente quando a SSW-05 Plus está em regime (o motor está com tensão plena).

\* Estas proteções podem ser habilitadas ou desabilitadas por suas respectivas chaves dip-switch.

## 15. PROTEÇÃO DE SOBRECARGA:

### 15.1. Proteção de Sobrecarga Eletrônica do Motor:

A proteção de sobrecarga eletrônica do motor faz a simulação do aquecimento do motor (Imagem Térmica). Esta simulação de aquecimento usa como dado de entrada o valor de corrente eficaz verdadeira (True RMS). A curva com o tempo de atuação na condição de sobrecarga do motor está definida na figura 15.1, sendo que a classe térmica desta função conforme a IEC 947-4-2 é a classe 10.

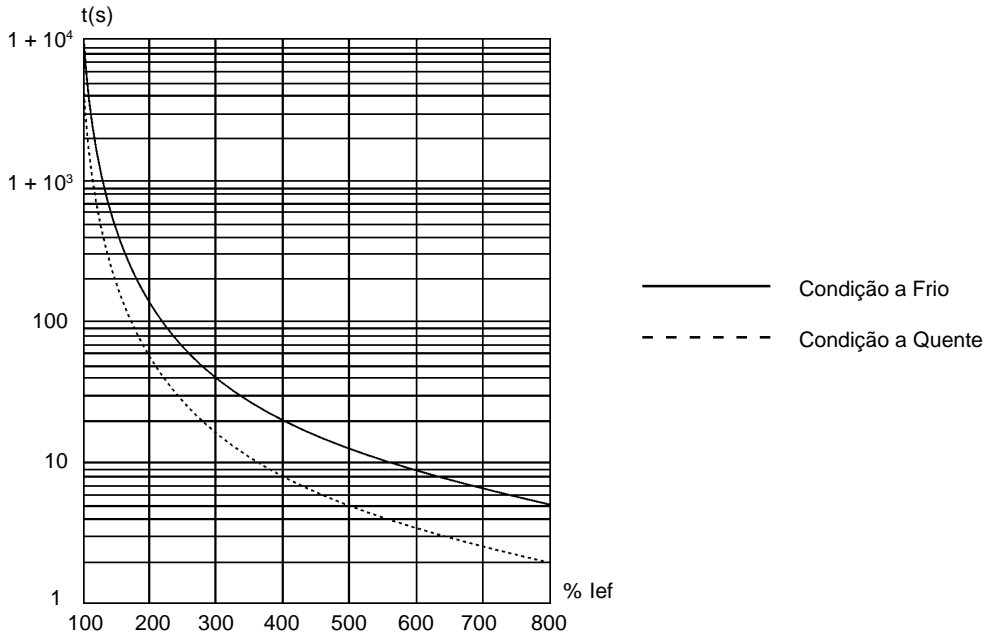


Figura 15.1 - Curva de sobrecarga eletrônica do motor.

#### Notas:

- 1) Quando a SSW-05 Plus ficar sem tensão de alimentação da eletrônica (A1 e A2), a imagem térmica é salva internamente. Ao retornar a alimentação (A1 e A2) o valor da imagem térmica retorna ao valor anterior à falta de alimentação da eletrônica;
- 2) Ao desabilitar via dip-switch a proteção de sobrecarga eletrônica a imagem térmica é zerada;
- 3) O reset da proteção de sobrecarga eletrônica pode ser ajustado para função manual (man), neste caso deve-se fazer o reset via entrada digital 2 (DI2) ou através do botão de reset. Se o ajuste de reset estiver ajustado para automático (auto) a condição de erro é automaticamente resetada após transcorrer o tempo de resfriamento.

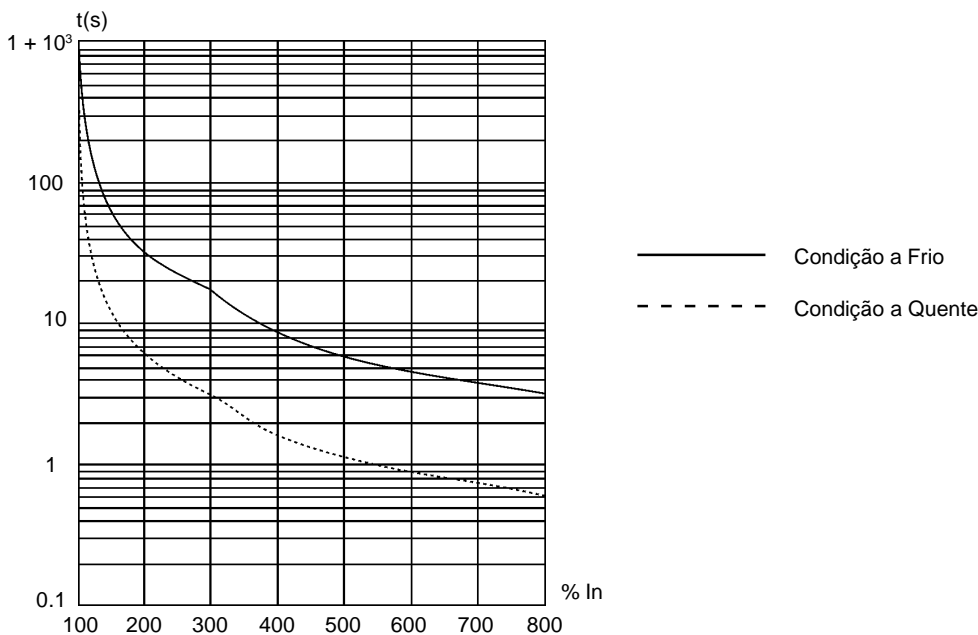


Figura 15.2 - Curva de sobrecarga eletrônica dos tiristores.

#### Nota:

Com o motor operando em tensão plena, ocorre um resfriamento da Imagem Térmica da proteção de sobrecarga dos tiristores. O resfriamento é devido ao By-pass dos tiristores.

## 16. RESET:

Uma condição de erro pode ser resetada através do botão de reset na frontal da SSW-05 Plus, ou através de uma botoeira pulsante (0,5 segundos) na DI2 (Entrada digital para reset). Outra condição para efetuar reset na SSW-05 Plus é desligando e religando a tensão da Eletrônica (A1 e A2).

### Nota:

Na SSW-05 Plus existe a possibilidade de reset automático, bastando habilitar esta função via dip-switch (auto):

- 1) O tempo para ocorrer o reset automático após a ocorrência do erro é de 15 minutos para as seguintes condições:
  - Sobrecorrente, Falta de Fase, Rotor Bloqueado, Sobrecorrente Imediata do relé de By-pass da SSW-05 Plus, Sobrecorrente antes do By-pass, Frequência fora da Tolerância, Contato do relé de By-pass interno aberto e Subtensão na Alimentação da Eletrônica.
- 2) Para sequência de fase incorreta não existe reset automático.
- 3) Para Sobrecarga eletrônica do motor e dos tiristores existe um algoritmo específico para tempo de reset automático.


### ATENÇÃO!

Tanto a entrada digital (DI2) quanto o botão de reset na SSW-05 Plus apenas devem ser utilizados para efetuar o reset após a ocorrência de erro. Pois caso esta função reset seja utilizada quando a SSW-05 Plus está em funcionamento em tensão plena os relés internos de By-pass abrirão seus contatos sob carga comprometendo sua vida útil.





## 17. ERROS E POSSÍVEIS CAUSAS:




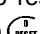





Quando um erro é detectado, a Soft-Starter é bloqueada (desabilitada) e o erro é mostrado através de piscadas nos leds ou através do display, mostrando EXX, sendo XX o código do erro.

Para voltar a operar normalmente a Soft-Starter após a ocorrência de um erro é preciso resetá-lo. De forma genérica isto pode ser feito através das seguintes formas:

- desligando a alimentação da eletrônica e ligando-a novamente (power-on reset);
- através do botão de reset na frontal da SSW-05 (botão de reset);
- através da HMI-SSW05-RS pressionando a tecla  (reset manual);
- automaticamente através do reset automático. Habilitar esta função via dip-switch (auto) ou via P106 e P220.
- via entrada digital DI2.

Ver na tabela abaixo detalhes de reset para cada erro e prováveis causas.

Descrição da Proteção	Sinalização do Erro		Reset	Causas Mais Prováveis
	Frontal da SSW-05	HMI-SSW05-RS (ver capítulo 19.3)		
Falta de fase	LED (Phase Loss)	E03	<input checked="" type="checkbox"/> Power-on <input checked="" type="checkbox"/> Botão reset <input checked="" type="checkbox"/> Tecla  <input checked="" type="checkbox"/> Auto-reset <input checked="" type="checkbox"/> DI2.	<input checked="" type="checkbox"/> Falta de fase da rede trifásica. <input checked="" type="checkbox"/> Curto ou falha no tiristor. <input checked="" type="checkbox"/> Motor não conectado. <input checked="" type="checkbox"/> Tipo de ligação do motor errada.
Sobrecarga eletrônica do motor	LED (Overload)	E05	<input checked="" type="checkbox"/> Power-on <input checked="" type="checkbox"/> Tecla  <input checked="" type="checkbox"/> Auto-reset	<input checked="" type="checkbox"/> Ajuste incorreto do trimpot "Motor Current" ou de P105 (ajuste da corrente do motor). Valor ajustado Carga no eixo muito alta. <input checked="" type="checkbox"/> Elevado número de partidas sucessivas.
Erro Externo	Disponível apenas com uso de HMI-SSW05-RS ou comunicação serial (ver capítulo 19)	E06	<input checked="" type="checkbox"/> Power-on <input checked="" type="checkbox"/> Botão reset <input checked="" type="checkbox"/> Tecla  <input checked="" type="checkbox"/> DI2.	<input checked="" type="checkbox"/> Fiação nas entradas DI1 aberta.
Erro da função Copy	Disponível apenas com uso de HMI-SSW05-RS (ver capítulo 19)	E10	<input checked="" type="checkbox"/> Power-on <input checked="" type="checkbox"/> Tecla 	<input checked="" type="checkbox"/> Mau contato no cabo da HMI-SSW05-RS. <input checked="" type="checkbox"/> Ruído elétrico na instalação (interferência eletromagnética).

Descrição da Proteção	Sinalização do Erro		Reset	Causas Mais Prováveis
	Frontal da SSW-05	HMI-SSW05-RS (ver capítulo 19.3)		
Falha de conexão da HMI remota	Disponível apenas com uso de HMI-SSW05-RS (ver capítulo 19)	<b>E31</b>	<input checked="" type="checkbox"/> Power-on Desaparece automaticamente quando a HMI voltar a estabelecer comunicação normal com a Soft-Starter.	<input checked="" type="checkbox"/> Mau contato no cabo da HMI-SSW05-RS. <input checked="" type="checkbox"/> Ruído elétrico na instalação (interferência eletromagnética).
Rotor bloqueado	LED (Stall)	<b>E63</b>	<input checked="" type="checkbox"/> Power-on <input checked="" type="checkbox"/> Botão reset <input checked="" type="checkbox"/> Tecla  <input checked="" type="checkbox"/> Auto-reset <input checked="" type="checkbox"/> DI2.	<input checked="" type="checkbox"/> Tempo da rampa de aceleração programada menor que o tempo real de aceleração.
Sobrecarga nos tiristores	LED (Internal Fault) pisca 6 vezes	<b>E64</b>	<input checked="" type="checkbox"/> Tecla  <input checked="" type="checkbox"/> Auto-reset	<input checked="" type="checkbox"/> Carga no eixo muito alta. Elevado número de partidas sucessivas.
Sobrecorrente	LED (Overcurrent)	<b>E66</b>	<input checked="" type="checkbox"/> Power-on <input checked="" type="checkbox"/> Botão reset <input checked="" type="checkbox"/> Tecla  <input checked="" type="checkbox"/> Auto-reset <input checked="" type="checkbox"/> DI2.	<input checked="" type="checkbox"/> Curto circuito entre fases. Eixo do motor travado (bloqueado).
Seqüência de fase incorreta	LED (Phase Seq)	<b>E67</b>	<input checked="" type="checkbox"/> Power-on <input checked="" type="checkbox"/> Botão reset <input checked="" type="checkbox"/> Tecla  <input checked="" type="checkbox"/> DI2.	<input checked="" type="checkbox"/> Seqüência de fase da rede de entrada invertida.
Subtensão na alimentação da eletrônica	LED (Internal Fault) pisca 2 vezes	<b>E70</b>	<input checked="" type="checkbox"/> Power-on <input checked="" type="checkbox"/> Botão reset <input checked="" type="checkbox"/> Tecla  <input checked="" type="checkbox"/> Auto-reset <input checked="" type="checkbox"/> DI2.	<input checked="" type="checkbox"/> Alimentação da eletrônica abaixo do valor mínimo.
Contato do relé de By-pass interno aberto	LED (Internal Fault) pisca 3 vezes	<b>E71</b>	<input checked="" type="checkbox"/> Power-on <input checked="" type="checkbox"/> Botão reset <input checked="" type="checkbox"/> Tecla  <input checked="" type="checkbox"/> Auto-reset <input checked="" type="checkbox"/> DI2.	<input checked="" type="checkbox"/> SSW-05 com defeito.
Sobrecorrente antes do By-pass	LED (Internal Fault) pisca 4 vezes	<b>E72</b>	<input checked="" type="checkbox"/> Power-on <input checked="" type="checkbox"/> Botão reset <input checked="" type="checkbox"/> Tecla  <input checked="" type="checkbox"/> Auto-reset <input checked="" type="checkbox"/> DI2.	<input checked="" type="checkbox"/> Tempo da rampa de aceleração programada menor que o tempo real de aceleração.
Sobrecorrente imediata do relé de By-pass	LED (Internal Fault) pisca 5 vezes	<b>E73</b>	<input checked="" type="checkbox"/> Power-on <input checked="" type="checkbox"/> Botão reset <input checked="" type="checkbox"/> Tecla  <input checked="" type="checkbox"/> Auto-reset <input checked="" type="checkbox"/> DI2.	<input checked="" type="checkbox"/> Curto circuito entre fases. <input checked="" type="checkbox"/> Eixo do motor travado (bloqueado).
Frequência fora da tolerância	LED (Internal Fault) pisca 1 vez	<b>E75</b>	<input checked="" type="checkbox"/> Power-on <input checked="" type="checkbox"/> Botão reset <input checked="" type="checkbox"/> Tecla  <input checked="" type="checkbox"/> Auto-reset <input checked="" type="checkbox"/> DI2.	<input checked="" type="checkbox"/> Frequência da rede está fora dos níveis de +/- 10% em relação aos valores nominais 50Hz ou 60Hz.

**Nota:**

No caso de uso da HMI-SSW05-RS, para evitar ocorrência de E31, deve-se evitar resetar os erros através de entrada digital (DI2) e através do botão de reset presente na frontal da SSW-05.



## 18. SOLUÇÃO DE PROBLEMAS MAIS FREQUENTES:

Problema	Ponto a ser Verificado	Ação Corretiva
Motor não Gira	Fiação Errada	1. Verificar todas as conexões de potência e comando.
	Falta de Alimentação	1. Verificar a alimentação da Potência (R, S, T) 2. Verificar a alimentação da Eletrônica (A1, A2)
	Programação Errada	1. Verificar se os ajustes estão corretos para a aplicação.
	Erro	1. Verificar se a SSW-05 Plus não está numa condição de bloqueio (ver item 14 – proteções e sinalizações).
Rotação do motor oscila (flutua)	Conexões Frouxas	1. Desligue a SSW-05 Plus, desligue as alimentações e reaperte todas as conexões. 2. Checar todas as conexões internas da SSW-05 Plus.
Rotação do motor muito alta ou muito baixa	Dados de placa do motor	1. Verificar se o motor utilizado está de acordo com a aplicação.
Trancos na desaceleração de Bombas	Ajustes da Soft-Starter	1. Reduzir o tempo da rampa de desaceleração.
Trancos na aceleração	Ajustes da Soft-Starter	1. Reduzir o tempo da rampa de aceleração. 2. Reduzir o ajuste de tensão de pedestal.

## 19. DISPOSITIVOS OPCIONAIS:

Este capítulo descreve os dispositivos opcionais que podem ser utilizados com a Soft-Starter. A tabela 18.1 mostra um resumo dos opcionais existentes

Nome	Função	Ítem de Estoque WEG
CAB-RS-1	Cabo para HMI remota serial com 1m	0307.7827
CAB-RS-2	Cabo para HMI remota serial com 2m	0307.7828
CAB-RS-3	Cabo para HMI remota serial com 3m	0307.7829
MIW-02	Módulo externo para conversão de RS-232 para RS-485.	417100543
HMI-SSW05-RS	HMI remota serial. Para uso remoto com cabo CAB-RS até 3m. Função Copy.	417100996

Tabela 19.1 - Opcionais disponíveis para a SSW-05

### 19.1. CAB-RS-1, CAB-RS-2, CAB-RS-3:

Cabos utilizados para interligar a Soft-Starter e a HMI remota serial (HMI-SSW05-RS). Existem 3 opções de cabos com comprimentos de 1,2 e 3m. Um destes deve ser utilizado pelo usuário de acordo com a aplicação.

O cabo CAB-RS-X deve ser instalado separadamente das fiações de potência. Deve-se ter o cuidado de separar o cabo CAB-RS-X dos demais cabos existentes na instalação de uma distância mínima de 10cm.

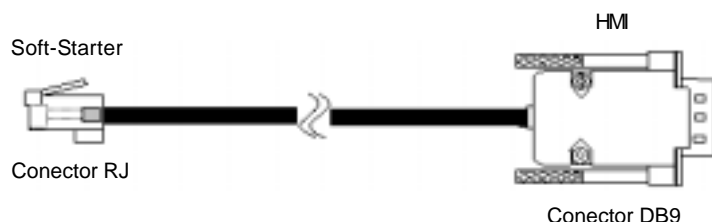


Figura 19.1- Cabo CAB-RS para HMI-SSW05-RS

LIGAÇÃO DOS CABOS			
PINOS DB9		PINOS RJ	
1	Vcc	1	Vcc
2	RX	6	TX
3	TX	4	RX
5	GND	5	GND

### 19.2. MIW-02:

Módulo externo para conversão de RS-232 para RS-485: permite a ligação da SSW-05 em uma rede RS-485 padrão. Desta forma, a Soft-Starter pode participar de uma rede multiponto de até 1000m sem a necessidade de transdutores. Para maiores detalhes ver "MANUAL DO USUÁRIO DO MIW-02" (0899.4435). O manual está disponível no endereço [www.weg.com.br](http://www.weg.com.br)

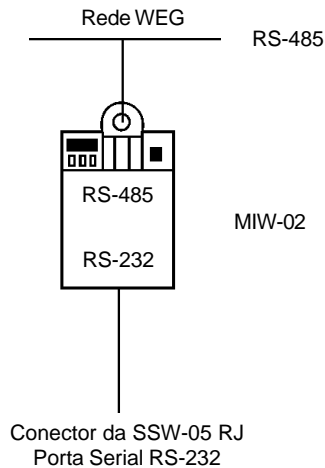


Figura 19.2 - Conexão da SSW-05 a uma rede de comunicação no padrão RS-485

### 13.3. HMI-SSW05-RS:

HMI remota serial: é montada externamente as Soft-Starters. Deve ser utilizada para os seguintes casos:

- Quando for necessária uma HMI remota.
- Para instalação da HMI em porta de painel ou mesa de comando.
- Quando for preciso a função copy.

Funciona em conjunto com o cabo CAB-RS-X, o qual deve ter seu comprimento escolhido de acordo com a necessidade (até 3m).

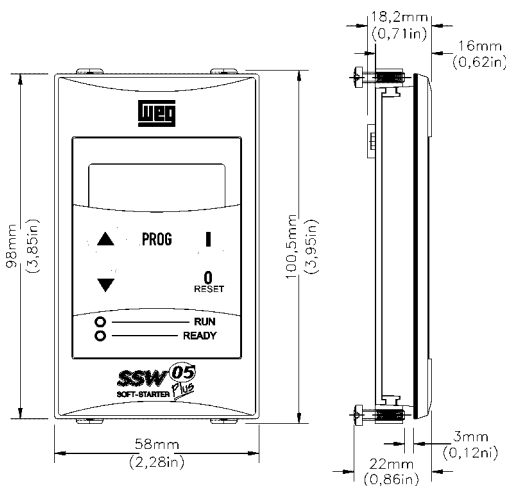


Figura 19.3 - Dimensões da HMI-SSW05-RS.

#### 19.3.1. Descrição da HMI-SSW05-RS:

A HMI-SSW05-RS contém um display de leds com 4 dígitos de 7 segmentos, 2 leds de estado e 5 teclas. A figura abaixo mostra uma vista frontal da HMI.

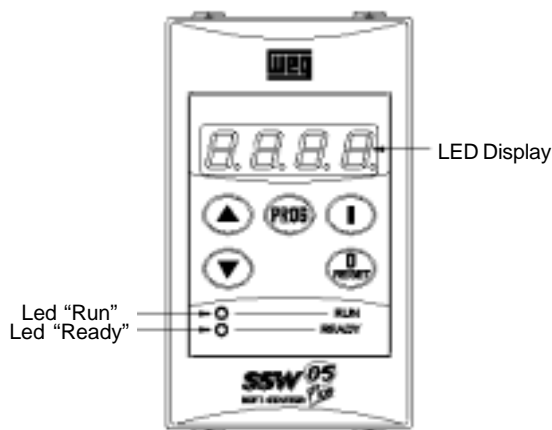


Figura 19.4 – frontal da HMI-SSW05-RS.






### Funções do display de leds:

Mostra número do parâmetro ou o seu conteúdo e também mensagens de erro e estado.


### Funções dos leds “ready” e “run”:

- Ready - Aceso: SSW-05 Plus com tensão, aguardando comando de aciona, ou com tensão plena na saída.
- Piscando: SSW-05 Plus em rampa de aceleração/desaceleração.
- Run - Acende somente quando a SSW-05 Plus está em regime (o motor está com tensão plena).

### Funções básicas das teclas:



-  - Habilita a Soft-Starter (partida);
-  - Desabilita a Soft-Starter (parada). Reseta a Soft-Starter após a ocorrência de erros;
-  - Seleciona (comuta) display entre número do parâmetro e seu valor (posição/conteúdo);
-  - Incrementa número do parâmetro ou valor do parâmetro.
-  - Decrementa número do parâmetro ou valor do parâmetro.

### Nota:

Na ocorrência de erros juntamente com o uso da HMI-SSW05-RS, o reset de erros deve ser sempre feito através da tecla . O reset através da tecla presente na frontal da Soft-Starter ocasiona perda de comunicação da HMI, resultando em E31. Para reestabelecer a comunicação entre a HMI e a Soft-Starter é necessário desconectar e reconectar o cabo serial, ou então desenergizar e energizar novamente a Soft-Starter.

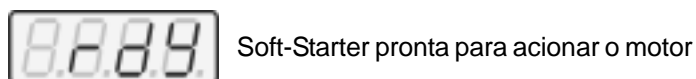
### 19.3.2. Uso da HMI:

A HMI é uma interface simples que permite a operação e a programação da Soft-Starter. Ela apresenta as seguintes funções:

- indicação do estado de operação da Soft-Starter;
- indicação das falhas;
- visualização e alteração dos parâmetros ajustáveis;
- operação da Soft-Starter (teclas  e 

### 19.3.3. Sinalizações/Indicações no Display da HMI:

Estados da Soft-Starter:





Soft-Starter na situação de erro. O código do erro aparece piscante. No caso exemplificado temos a indicação de E03 (falta de fase)



Soft-Starter executando função “Carrega parâmetros com padrão de fábrica (P204)”

**Nota:**

O display também pisca nas seguintes situações, além da situação de erro:

- ☑ Tentativa de alteração de um parâmetro com valor de senha incorreta (P000 – Parâmetro de acesso);
- ☑ Tentativa de alteração de um parâmetro não permitido. Exemplo: parâmetros que não podem ser alterados com motor girando.

**19.3.4. Visualização/Alteração de Parâmetros:**

Todos os ajustes da Soft-Starter podem ser feitos através de parâmetros. Os parâmetros são indicados no display através da letra P seguida de um número: Exemplo (P264):



264 = nº do parâmetro

A cada parâmetro está associado um valor numérico (conteúdo do parâmetro), que corresponde à opção selecionada dentre as disponíveis para aquele parâmetro.

Os valores dos parâmetros definem a programação da Soft-Starter ou o valor de uma variável (ex.: corrente, tensão). Para realizar a programação da Soft-Starter deve-se alterar o conteúdo do(s) parâmetro(s).

AÇÃO	DISPLAY HMI	DESCRIÇÃO
Energizar a Soft-Starter		Soft-Starter pronta para operar
Pressione a tecla		
Use as teclas  e		Localize o parâmetro desejado
Pressione a tecla		Valor numérico associado ao parâmetro <sup>(2)</sup>
Use as teclas  e		Ajuste o novo valor desejado <sup>(2)</sup>
Pressione a tecla		<sup>(1)</sup> <sup>(2)</sup>

**Nota:**

- (1) Pressionando a tecla após o ajuste, o último valor ajustado é automaticamente gravado na memória não volátil da Soft-Starter, ficando retido até nova alteração.
- (2) Para alterar o valor de um parâmetro é necessário ajustar antes P000=5. Caso contrário só será possível visualizar os parâmetros mas não modificá-los. Para mais detalhes ver descrição detalhada de P000.

### 19.3.5. Instalação da HMI-SSW05-RS:

A HMI-SSW05-RS pode ser instalada diretamente na porta do painel (1 a 3mm), conforme os desenhos a seguir:

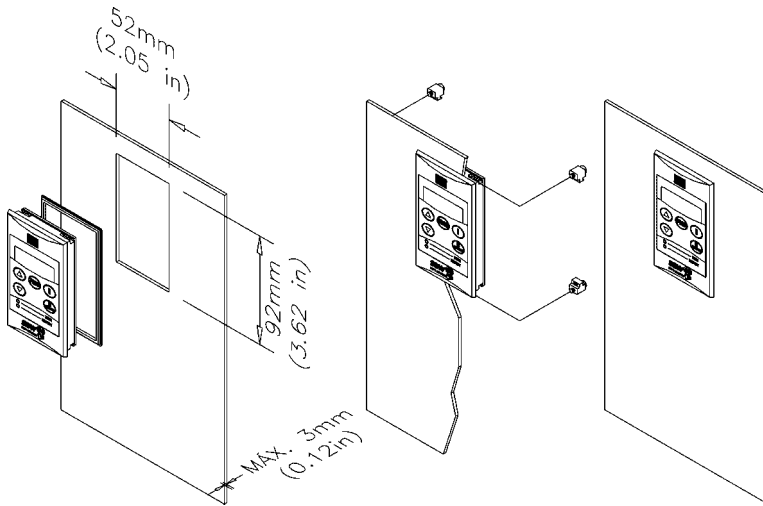




Figura 19.5 - Instalação da HMI-SSW05-RS.

### 19.3.6. Colocação em Funcionamento da HMI-SSW05-RS:

Após tudo instalado (inclusive o cabo de interligação), energize a Soft-Starter.

A HMI-SSW05-RS deverá mostrar "rdy".

Para habilitar as teclas  e  da HMI-SSW05-RS, é necessário configurar P264 ≠ 1.

### 19.3.7. Função Copy da HMI-SSW05-RS:

A HMI-SSW05-RS apresenta ainda uma função adicional: a função copy. Esta função é utilizada quando há a necessidade de se transferir a programação de uma Soft-Starter para outra(s). Funciona da seguinte maneira: os parâmetros de uma Soft-Starter ("Soft-Starter origem") são copiados para uma memória não volátil da HMI-SSW05-RS, podendo então ser salvos em outra Soft-Starter ("Soft-Starter destino") a partir desta HMI. As funções de leitura dos parâmetros da Soft-Starter e transferência para outra são comandadas pelo conteúdo do parâmetro P215. Para maiores detalhes da função copy ver descrição detalhada do parâmetro P215.

## 20. TABELA DE PARÂMETROS (PARA COMUNICAÇÃO SERIAL / HMI-SSW05-RS):

Parâmetro	Função dos Parâmetros (Leitura)	Faixa de Valores Internos	Ajuste de Fábrica	Ajuste do Usuário	Página
P000 <sup>(2)</sup>	Parâmetro de acesso	0 ... 4, 6... 9999 = Leitura 5 = Escrita	0		81
P002	Indicação da corrente do motor (%)	000,0 ... 999,9 (% In)			81
P003	Indicação da corrente do motor (A)	000,0 ... 999,9 (A)			81
P023	Versão do Software				81
P050	Indicação do estado da proteção térmica do motor	0 ... 250 250 = Erro			81

Parâmetro	Função dos Parâmetros (Leitura e Escrita)	Faixa de Valores Internos	Ajuste de Fábrica	Ajuste do Usuário	Página
P101	Tensão inicial	30 ... 80 (% Un)	30		81
P102	Tempo de rampa de aceleração	1 ... 20 (s)	10		82
P104	Tempo de rampa de desaceleração	0 ... 20 (s)	0 = off		82
P105 <sup>(1)</sup>	Ajuste da corrente do motor	30 ... 100 (%)	100		82
P106 <sup>(1)</sup>	Configuração das proteções	0 ... 3F Hexadecimal	1F Hex.		82
P204 <sup>(1)</sup>	Carrega parâmetros com padrão de fábrica	0 = Sem função 1 = Sem função 2 = Sem função 3 = Sem função 4 = Sem função 5 = Carrega Weg	0		85
P215 <sup>(1)</sup>	Função Copy	0 = Sem função 1 = SSW -> HMI 2 = HMI -> SSW	0		85
P220 <sup>(1)</sup>	Parametrização via HMI / (Trim pots e Dip Switch)	0 = Trim pots e Dip Switch 1 = HMI	0		86
P264 <sup>(1)</sup>	Entrada digital programável DI 1	0 = Sem função 1 = Aciona / desaciona 2 = Erro externo	1		86
P277 <sup>(1)</sup>	Saída a relé programável (14/23 - 24)	1 = Tensão Plena 2 = Erro 3 = Com. Serial	1		86
P295 <sup>(1)(2)</sup>	Corrente nominal da chave SSW-05	0 = 3 A 1 = 10 A 2 = 16 A 3 = 23 A 4 = 30 A 5 = 45 A 6 = 60 A 7 = 85 A	Conforme o Modelo		86
P308 <sup>(1)</sup>	Endereço na rede	1 ... 30	1		86
P313	Ação da verificação da comunicação serial	1 = só Erro 2 = desabilita rampa 3 = desabilita geral 4 = P264 → 1			86
P314	Tempo de verificação da comunicação serial	0 ... 5 (s)	0 = oFF		87

<sup>(1)</sup> Parâmetros alteráveis somente com motor parado

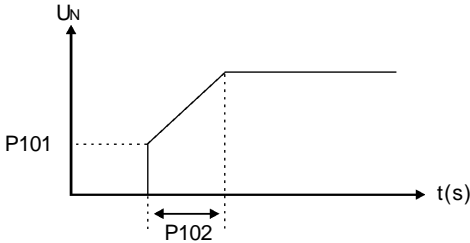
<sup>(2)</sup> Parâmetros não alterados através da função "carrega parâmetros com padrão de fábrica (P204)"

## 21. CÓDIGO E DESCRIÇÃO DOS ERROS (PARA COMUNICAÇÃO SERIAL / HMI-SSW05-RS):

Indicação	Significado
E03	Falta de fase
E05	Sobrecarga na saída (função lxt)
E06	Erro externo
E10	Erro da função Copy
E2x	Erros da comunicação serial
E22	Erro de paridade longitudinal (BCC)
E24	Erro de programação
E25	Variável inexistente
E26	Valor fora de faixa
E27	Tentativa de escrita em variável de leitura ou comando lógico desabilitado
E29	Erro de comunicação serial cíclica interrompida
E31	Falha de conexão da HMI remota
E63	Rotor bloqueado
E64	Sobrecarga nos tiristores
E66	Sobrecorrente imediata
E67	Seqüência de fase invertida
E70	Subtensão na alimentação da eletrônica
E71	Contato do relé de By-pass interno aberto
E72	Sobrecorrente antes do By-pass
E73	Sobrecorrente imediata do relé de By-pass
E75	Frequência fora da faixa

## 22. DESCRIÇÃO DETALHADA DOS PARÂMETROS (PARA COMUNICAÇÃO SERIAL / HMI-SSW05-RS):

Parâmetro	Descrição / Notas
P000 Parâmetro de Acesso	<input checked="" type="checkbox"/> Libera o acesso para alteração do conteúdo dos parâmetros <input checked="" type="checkbox"/> O valor da senha é 5.
P002 Indicação da corrente do motor (%) da In da chave	<input checked="" type="checkbox"/> Indica a corrente de saída da Soft-Starter em percentual da chave (% In).
P003 Indicação da corrente do motor (A)	<input checked="" type="checkbox"/> Indica a corrente de saída da Soft-Starter diretamente em ampères. <input checked="" type="checkbox"/> Para a correta indicação da corrente em ampères, é necessário programar P295.
P023 Versão de Software	<input checked="" type="checkbox"/> Indica a versão de software contida na CPU.
P050 Indicação do estado da proteção térmica do motor	<input checked="" type="checkbox"/> Indica o estado da proteção térmica do motor em escala percentual (0 ... 250). Sendo que 250 é o ponto de atuação da proteção do motor, E05.
P101 Tensão Inicial (%Un)	<input checked="" type="checkbox"/> Ajusta o valor inicial de tensão (%Un) que será aplicado ao motor conforme figura 22.1. <input checked="" type="checkbox"/> Com P220 = 0, o conteúdo do parâmetro indica o valor ajustado através do trimpot. No caso do trimpot estar ajustado no valor máximo, o valor indicado através do parâmetro pode ser um pouco menor que o esperado. Isto se deve as variações dos limites mecânicos. A alteração do conteúdo do parâmetro através da HMI não é possível com P220 = 0. <input checked="" type="checkbox"/> Com P220=1, o conteúdo do parâmetro indica o valor programado através de comunicação serial ou HMI.

Parâmetro	Descrição / Notas
	 <p>Figura 22.1 - Rampa de Aceleração</p>
P102 Tempo da rampa de aceleração (s)	<ul style="list-style-type: none"> <li><input checked="" type="checkbox"/> Define o tempo da rampa de incremento de tensão, conforme mostrado na figura 22.1.</li> <li><input checked="" type="checkbox"/> Com P220 = 0, o conteúdo do parâmetro indica o valor ajustado através do trimpot. No caso do trimpot estar ajustado no valor máximo, o valor indicado através do parâmetro pode ser um pouco menor que o esperado. Isto se deve as variações dos limites mecânicos. A alteração do conteúdo do parâmetro através da HMI não é possível com P220 = 0.</li> <li><input checked="" type="checkbox"/> Com P220=1, o conteúdo do parâmetro indica o valor programado através de comunicação serial ou HMI.</li> </ul> <p><b>Nota:</b> Em motores a vazio ou com pouca carga o tempo de aceleração será menor que o tempo programado em P102, devido a FCEM (Força Contra Eletromotriz) gerada pelo motor.</p>
P104 Tempo da rampa de desaceleração (s)	<ul style="list-style-type: none"> <li><input checked="" type="checkbox"/> Utilizado para aplicações com bombas.</li> <li><input checked="" type="checkbox"/> Define o tempo da rampa de decremento de tensão.</li> <li><input checked="" type="checkbox"/> Com P220 = 0, o conteúdo do parâmetro indica o valor ajustado através do trimpot. No caso do trimpot estar ajustado no valor máximo, o valor indicado através do parâmetro pode ser um pouco menor que o esperado. Isto se deve as variações dos limites mecânicos. A alteração do conteúdo do parâmetro através da HMI não é possível com P220 = 0.</li> <li><input checked="" type="checkbox"/> Com P220=1, o conteúdo do parâmetro indica o valor programado através de comunicação serial ou HMI.</li> </ul> <p><b>Nota:</b> Esta função é utilizada para prolongar o tempo de desaceleração normal de uma carga e não para forçar um tempo menor que o imposto pela própria carga.</p>
P105 Ajuste da corrente do motor (%)	<ul style="list-style-type: none"> <li><input checked="" type="checkbox"/> Ajusta o valor da corrente do motor percentualmente em relação a corrente nominal da chave.</li> <li><input checked="" type="checkbox"/> O valor indicado está diretamente relacionado com os níveis de atuação das seguintes proteções do motor: Sobrecarga, Sobrecorrente, Rotor bloqueado e Falta de Fase.</li> <li><input checked="" type="checkbox"/> Com P220 = 0, o conteúdo do parâmetro indica o valor ajustado através do trimpot. No caso do trimpot estar ajustado no valor máximo, o valor indicado através do parâmetro pode ser um pouco menor que o esperado. Isto se deve as variações dos limites mecânicos. A alteração do conteúdo do parâmetro através da HMI não é possível com P220 = 0.</li> <li><input checked="" type="checkbox"/> Com P220=1, o conteúdo do parâmetro indica o valor programado através de comunicação serial ou HMI.</li> </ul>
P106 Configuração das proteções	<ul style="list-style-type: none"> <li><input checked="" type="checkbox"/> Com P220=0, o conteúdo do parâmetro indica o valor ajustado através de dip switch. Neste caso a alteração do conteúdo do parâmetro através da HMI não é possível.</li> <li><input checked="" type="checkbox"/> Com P220=1, o conteúdo do parâmetro indica o valor programado através de comunicação serial ou HMI.</li> <li><input checked="" type="checkbox"/> Configura quais proteções estão habilitadas.</li> <li><input checked="" type="checkbox"/> O valor é indicado em Hexadecimal. A seguir é apresentado as proteções e o correspondente bit.</li> </ul>



Parâmetro	Descrição / Notas
-----------	-------------------

LSB	
0	Sobrecorrente imediata
1	Falta de fase
2	Seqüência de fase invertida
3	Rotor bloqueado
4	Sobrecarga Eletrônica do motor
5	Reset automático
6	-
7	-
8	-
9	-
10	-
11	-
12	-
13	-
14	-
15	-
MSB	

**Exemplo:**

**P106 = 13 Hex**

1 - Habilitado - Sobrecorrente imediata

1 - Habilitado - Falta de fase

0 - Desabilitado - Seqüência de fase invertida

0 - Desabilitado - Rotor bloqueado

1 - Habilitado - Sobrecarga Eletrônica do motor

0 - Desabilitado - Reset automático

**13Hex = 010011bin**

A tabela a seguir apresenta a combinação das proteções habilitadas e o correspondente valor a ser programado em P106.

Configuração da Proteção						Valor Programado em P106 (hexadecimal)
Reset automático	Sobrecarga eletrônica do motor (Overload)	Rotor bloqueado (Stall)	Seqüência de fase invertida (Phase sequence)	Falta de fase (Phase Loss)	Sobrecorrente imediata (Overcurrent)	
Bit 5	Bit 4	Bit 3	Bit 2	Bit 1	Bit 0	
					<input checked="" type="checkbox"/>	1
				<input checked="" type="checkbox"/>		2
				<input checked="" type="checkbox"/>	<input checked="" type="checkbox"/>	3
			<input checked="" type="checkbox"/>			4
			<input checked="" type="checkbox"/>		<input checked="" type="checkbox"/>	5
			<input checked="" type="checkbox"/>	<input checked="" type="checkbox"/>		6
			<input checked="" type="checkbox"/>	<input checked="" type="checkbox"/>	<input checked="" type="checkbox"/>	7
		<input checked="" type="checkbox"/>				8
		<input checked="" type="checkbox"/>			<input checked="" type="checkbox"/>	9
		<input checked="" type="checkbox"/>		<input checked="" type="checkbox"/>		A
		<input checked="" type="checkbox"/>		<input checked="" type="checkbox"/>	<input checked="" type="checkbox"/>	B
		<input checked="" type="checkbox"/>	<input checked="" type="checkbox"/>			C
		<input checked="" type="checkbox"/>	<input checked="" type="checkbox"/>		<input checked="" type="checkbox"/>	D
		<input checked="" type="checkbox"/>	<input checked="" type="checkbox"/>	<input checked="" type="checkbox"/>		E
		<input checked="" type="checkbox"/>	<input checked="" type="checkbox"/>	<input checked="" type="checkbox"/>	<input checked="" type="checkbox"/>	F
	<input checked="" type="checkbox"/>					10
	<input checked="" type="checkbox"/>				<input checked="" type="checkbox"/>	11
	<input checked="" type="checkbox"/>			<input checked="" type="checkbox"/>		12
	<input checked="" type="checkbox"/>			<input checked="" type="checkbox"/>	<input checked="" type="checkbox"/>	13
	<input checked="" type="checkbox"/>		<input checked="" type="checkbox"/>			14
	<input checked="" type="checkbox"/>		<input checked="" type="checkbox"/>		<input checked="" type="checkbox"/>	15

**Parâmetro**

**Descrição / Notas**

Configuração da Proteção						Valor Programado em P106 (hexadecimal)
Reset automático	Sobrecarga eletrônica do motor (Overload)	Rotor bloqueado (Stall)	Seqüência de fase invertida (Phase sequence)	Falta de fase (Phase Loss)	Sobrecorrente imediata (Overcurrent)	
Bit 5	Bit 4	Bit 3	Bit 2	Bit 1	Bit 0	
	<input checked="" type="checkbox"/>		<input checked="" type="checkbox"/>	<input checked="" type="checkbox"/>		16
	<input checked="" type="checkbox"/>		<input checked="" type="checkbox"/>	<input checked="" type="checkbox"/>	<input checked="" type="checkbox"/>	17
	<input checked="" type="checkbox"/>	<input checked="" type="checkbox"/>				18
	<input checked="" type="checkbox"/>	<input checked="" type="checkbox"/>			<input checked="" type="checkbox"/>	19
	<input checked="" type="checkbox"/>	<input checked="" type="checkbox"/>		<input checked="" type="checkbox"/>	<input checked="" type="checkbox"/>	1A
	<input checked="" type="checkbox"/>	<input checked="" type="checkbox"/>		<input checked="" type="checkbox"/>	<input checked="" type="checkbox"/>	1B
	<input checked="" type="checkbox"/>	<input checked="" type="checkbox"/>	<input checked="" type="checkbox"/>			1C
	<input checked="" type="checkbox"/>	<input checked="" type="checkbox"/>	<input checked="" type="checkbox"/>		<input checked="" type="checkbox"/>	1D
	<input checked="" type="checkbox"/>	<input checked="" type="checkbox"/>	<input checked="" type="checkbox"/>	<input checked="" type="checkbox"/>		1E
	<input checked="" type="checkbox"/>	<input checked="" type="checkbox"/>	<input checked="" type="checkbox"/>	<input checked="" type="checkbox"/>	<input checked="" type="checkbox"/>	1F
<input checked="" type="checkbox"/>						20
<input checked="" type="checkbox"/>					<input checked="" type="checkbox"/>	21
<input checked="" type="checkbox"/>				<input checked="" type="checkbox"/>		22
<input checked="" type="checkbox"/>				<input checked="" type="checkbox"/>	<input checked="" type="checkbox"/>	23
<input checked="" type="checkbox"/>			<input checked="" type="checkbox"/>			24
<input checked="" type="checkbox"/>			<input checked="" type="checkbox"/>		<input checked="" type="checkbox"/>	25
<input checked="" type="checkbox"/>			<input checked="" type="checkbox"/>	<input checked="" type="checkbox"/>		26
<input checked="" type="checkbox"/>			<input checked="" type="checkbox"/>	<input checked="" type="checkbox"/>	<input checked="" type="checkbox"/>	27
<input checked="" type="checkbox"/>		<input checked="" type="checkbox"/>				28
<input checked="" type="checkbox"/>		<input checked="" type="checkbox"/>			<input checked="" type="checkbox"/>	29
<input checked="" type="checkbox"/>		<input checked="" type="checkbox"/>		<input checked="" type="checkbox"/>		2A
<input checked="" type="checkbox"/>		<input checked="" type="checkbox"/>		<input checked="" type="checkbox"/>	<input checked="" type="checkbox"/>	2B
<input checked="" type="checkbox"/>		<input checked="" type="checkbox"/>	<input checked="" type="checkbox"/>			2C
<input checked="" type="checkbox"/>		<input checked="" type="checkbox"/>	<input checked="" type="checkbox"/>		<input checked="" type="checkbox"/>	2D
<input checked="" type="checkbox"/>		<input checked="" type="checkbox"/>	<input checked="" type="checkbox"/>	<input checked="" type="checkbox"/>		2E
<input checked="" type="checkbox"/>		<input checked="" type="checkbox"/>	<input checked="" type="checkbox"/>	<input checked="" type="checkbox"/>	<input checked="" type="checkbox"/>	2F
<input checked="" type="checkbox"/>	<input checked="" type="checkbox"/>					30
<input checked="" type="checkbox"/>	<input checked="" type="checkbox"/>				<input checked="" type="checkbox"/>	31
<input checked="" type="checkbox"/>	<input checked="" type="checkbox"/>			<input checked="" type="checkbox"/>		32
<input checked="" type="checkbox"/>	<input checked="" type="checkbox"/>			<input checked="" type="checkbox"/>	<input checked="" type="checkbox"/>	33
<input checked="" type="checkbox"/>	<input checked="" type="checkbox"/>		<input checked="" type="checkbox"/>			34
<input checked="" type="checkbox"/>	<input checked="" type="checkbox"/>		<input checked="" type="checkbox"/>		<input checked="" type="checkbox"/>	35
<input checked="" type="checkbox"/>	<input checked="" type="checkbox"/>		<input checked="" type="checkbox"/>	<input checked="" type="checkbox"/>		36
<input checked="" type="checkbox"/>	<input checked="" type="checkbox"/>		<input checked="" type="checkbox"/>	<input checked="" type="checkbox"/>	<input checked="" type="checkbox"/>	37
<input checked="" type="checkbox"/>	<input checked="" type="checkbox"/>	<input checked="" type="checkbox"/>				38
<input checked="" type="checkbox"/>	<input checked="" type="checkbox"/>	<input checked="" type="checkbox"/>			<input checked="" type="checkbox"/>	39
<input checked="" type="checkbox"/>	<input checked="" type="checkbox"/>	<input checked="" type="checkbox"/>		<input checked="" type="checkbox"/>		3A
<input checked="" type="checkbox"/>	<input checked="" type="checkbox"/>	<input checked="" type="checkbox"/>		<input checked="" type="checkbox"/>	<input checked="" type="checkbox"/>	3B
<input checked="" type="checkbox"/>	<input checked="" type="checkbox"/>	<input checked="" type="checkbox"/>	<input checked="" type="checkbox"/>			3C
<input checked="" type="checkbox"/>	<input checked="" type="checkbox"/>	<input checked="" type="checkbox"/>	<input checked="" type="checkbox"/>		<input checked="" type="checkbox"/>	3D
<input checked="" type="checkbox"/>	<input checked="" type="checkbox"/>	<input checked="" type="checkbox"/>	<input checked="" type="checkbox"/>	<input checked="" type="checkbox"/>		3E
<input checked="" type="checkbox"/>	<input checked="" type="checkbox"/>	<input checked="" type="checkbox"/>	<input checked="" type="checkbox"/>	<input checked="" type="checkbox"/>	<input checked="" type="checkbox"/>	3F

= proteção habilitada


Parâmetro	Descrição / Notas
P204 Carrega parâmetros com padrão de fábrica	<input checked="" type="checkbox"/> Reprograma todos os parâmetros para os valores do padrão de fábrica, fazendo-se P204 = 5. <input checked="" type="checkbox"/> Os parâmetros P000 e P295 não são alterados quando da carga dos ajustes de fábrica através de P204 = 5.


P215  
Função Copy


A função copy é utilizada para transferir o conteúdo dos parâmetros de uma soft starter para outra(s).


**Nota:** A função copy somente está disponível via HMI-SSW05-RS.

P215	Ação	Explicação
0	Sem função	-
1	Copy (SSW → HMI)	Transfere o conteúdo dos parâmetros atuais da Soft-Starter para a memória não volátil da HMI-SSW05-RS (EEPROM). Os parâmetros atuais da Soft-Starter permanecem inalterados.
2	Paste (HMI → SSW)	Transfere o conteúdo da memória não volátil da HMI-SSW05-RS (EEPROM) para os parâmetros atuais da Soft-Starter.

- Procedimento a ser utilizado para copiar a parametrização da Soft-Starter A para a Soft-Starter B:
1. Conectar a HMI-SSW05-RS na Soft-Starter que se quer copiar os parâmetros (Soft-Starter A – fonte).
  2. Fazer P215=1 (copy) para transferir os parâmetros da Soft-Starter A para a HMI-SSW05-RS. Pressionar a tecla . Enquanto estiver sendo realizada a função

copy o display mostra . P215 volta automaticamente para 0 (Inativa) quando a transferência estiver concluída.

3. Desligar a HMI-SSW05-RS da Soft-Starter (A).
4. Conectar esta mesma HMI-SSW05-RS na Soft-Starter para a qual se deseja transferir os parâmetros (Soft-Starter B – destino).
5. Fazer P215=2 (paste) para transferir o conteúdo da memória não volátil da HMI (EEPROM - contendo os parâmetros da Soft-Starter A) para a Soft-Starter B. Pressionar a tecla . Enquanto a HMI-SSW05-RS estiver realizando a função paste o

display indica  uma abreviatura de paste. Quando P215 voltar para 0 e ocorrer o reset, a transferência dos parâmetros foi concluída. A partir deste momento as SSWs A e B estarão com o mesmo conteúdo dos parâmetros.

Para copiar o conteúdo dos parâmetros da Soft-Starter A para outra(s) Soft-Starter(s) repetir os passos 4 a 5 acima.

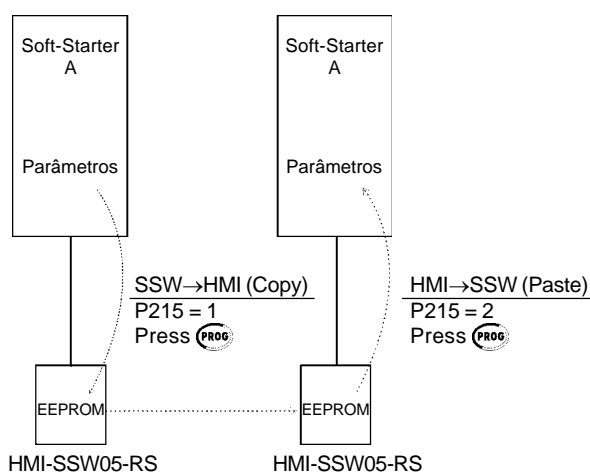


Figura 22.2 - Cópia da parametrização da Soft-Starter A para a Soft-Starter B utilizando a função copy e HMI-SSW05-RS

Parâmetro	Descrição / Notas
P220 Parametrização via HMI/ (Trimpot e Dip Switch)	<input checked="" type="checkbox"/> Configura o modo de funcionamento da Soft-Starter, modo Trimpot e Dip Switch ou modo HMI. 0- "(Trimpot e Dip Switch)", a programação da tensão inicial, tempos de rampas, relação de corrente e habilitação das proteções, são feitas através dos trimpots e dip switch. Estes valores programados através de comunicação serial não são usados. 1- "HMI", a programação é feita via comunicação serial ou via HMI. Os valores ajustados nos trimpots e dip switch não são utilizados. <b>Nota:</b> Em modo HMI (P220=1) as programações dos trimpots e dip switch são ignorados. A tensão inicial, tempos de rampas, relação de corrente e habilitação das proteções são programados através dos parâmetros P101, P102, P104, P105 e P106.
P264 Entrada digital programável DI1	<input checked="" type="checkbox"/> Configura a entrada digital DI 1 para funcionar conforme códigos descritos: 0- "Sem função", entrada digital DI 1 desabilitada. Os comandos de habilitação são somente aceitos via comunicação serial (V03) ou HMI remota. 1- "Aciona / desaciona", habilitação somente via entrada digital. Comandos de habilitação via comunicação serial ou HMI remota são ignorados. 2- "Erro externo", atua quando a entrada digital DI 1 estiver aberta. Pode servir como proteção adicional da carga. Exemplo: Proteção térmica do motor através de contato seco (Livre de tensão) de um relé de proteção (Termostato). Os comandos de habilitação são somente aceitos via comunicação serial (V03) ou HMI remota.
P277 Saída a relé programável (14/23 – 24)	<input checked="" type="checkbox"/> Habilita o relé (14/23 – 24) a funcionar conforme parametrização abaixo: 1- "Tensão Plena", o relé fecha o contato somente após a Soft-Starter atingir 100% Un (By-pass), e abre o contato quando a Soft-Starter recebe um comando de desliga. 2- "Erro", fecha o contato N.A. sempre que a SSW-05 estiver sem erro. 3- "Comando Lógico", abre e fecha os contatos do relé de acordo com o estado do BIT 4 da variável básica V03.
P295 Corrente nominal da chave SSW-05	<input checked="" type="checkbox"/> Configura o modelo da SSW-05. <input checked="" type="checkbox"/> Sua função é ajustar o software para que a indicação de corrente em Amperes (P003) seja correta. As possíveis configurações do modelo são: 0 = 3A 1 = 10A 2 = 16A 3 = 23A 4 = 30A 5 = 45A 6 = 60A 7 = 85A
P308 Endereço na rede	<input checked="" type="checkbox"/> Define o endereço que a Soft-Starter vai responder na rede de comunicação entre todos os equipamentos que nela estiverem conectados.
P313 Ação da verificação da comunicação serial	<input checked="" type="checkbox"/> Este parâmetro tem por finalidade ajustar a ação a ser tomada em conjunto com a indicação do Erro. <b>Nota:</b> Para que este parâmetro tenha função é necessário que P314 seja diferente de 0 = Off. <b>Valores de P313:</b> 1- Apenas indica Erro. 2- Indica Erro e desabilita a Soft-Starter por rampa. Caso esteja programado tempo de desaceleração igual a 0seg, a parada do motor acionado pela Soft-Starter será por inércia. 3- Indica Erro e desabilita geral a Soft-Starter. Funciona como Emergência. 4- Indica Erro e parametriza P264 com valor 1. O bit 0 de V03 é resetado.

Parâmetro	Descrição / Notas
P314 Tempo de verificação da comunicação serial	<input checked="" type="checkbox"/> Este parâmetro tem como função habilitar ou desabilitar bem como ajustar o tempo de verificação da comunicação serial. Esta proteção atua quando a comunicação serial entre o mestre e a Soft-Starter for interrompida, ocasionando indicação e ou ação conforme ajuste do parâmetro P313.  <b>Nota:</b> Habilite esta função somente se houver comunicação serial cíclica com um mestre. Ajuste o tempo de verificação conforme o tempo entre telegramas enviados pelo mestre.

### **23. ANEXOS PARA CONFORMIDADE CE:**

A linha SSW-05 Plus foi testada para atender a seguinte diretiva:

#### **23.1. Diretivas EMC e LVD:**

EMC Directive 89/336/EEC (Electromagnetic Compatibility), usando um Technical Construction File e as seguintes normas:

EN60947-4-2: Low voltage switchgear and controlgear - Part 4. Contactors and motor-starters - section 2. AC semiconductor motor controllers and starters.

Low Voltage Directive (LVD) 73/23/EEC.

#### **ATENÇÃO!**

A linha SSW-05 Plus foi projetada como equipamento classe A (uso industrial). O uso do produto em ambientes domésticos pode causar rádio interferência, neste caso o usuário talvez necessite utilizar métodos adicionais de redução desta interferência.

#### **Nota:**

A conformidade das Soft-Starters às normas não garante a conformidade da instalação inteira. Muitos outros fatores podem influenciar a instalação total. Somente medições diretas na instalação podem verificar total conformidade.

### **23.2. Exigências para Instalações Conformes:**

#### **23.2.1. Diretiva EMC:**

Os seguintes itens são exigidos para conformidade CE:

1. As Soft-Starters devem ser instaladas dentro de painéis ou caixas metálicas que possuam tampa possível de ser aberta somente com uso de ferramenta ou chave. Ventilação adequada deve ser providenciada para garantir que a temperatura fique dentro dos limites permitidos.

#### **23.2.2. Diretiva Baixa Tensão (LVD):**

Os seguintes itens são exigidos para conformidade CE:

1. O mesmo do item 1. acima para Diretiva EMC.
2. A instalação deve prover um equipamento para desconexão da rede (seccionamento). Uma seccionadora operada manualmente deve ser instalada para cada rede alimentadora e próxima visualmente da Soft-Starter. Esta seccionadora deve desconectar a Soft-Starter da rede quando necessário (por exemplo durante a instalação/manutenção). Veja EN60204-1.5.3. Especificar a corrente e a tensão da seccionadora de acordo com os dados do item 6.

#### **PERIGO!**

A Soft-Starter não deve ser utilizada como mecanismo de parada de emergência (veja EN60204, 9.2.5.4).

24. Declaração para Conformidade CE



**EU DECLARATION OF CONFORMITY CE**

We

Manufacturer's Name: **WEG Indústrias S/A - Automação**

Address: Rua Waldemar Grubba, 3000  
89256-900 Jaraguá do Sul - SC - Brazil  
Telephone: +55 47 372 4515  
Fax: +55 47 372 4020

And our representative established within the European Community:

**WEG France**  
Parc Silic Rhône Alpes  
17, rue de Bruxelles  
38070 St. Quentin Fallavier - France  
Telephone: +33 474 991135  
Fax: +33 474 991144

Herewith declare that the product: **SSW-05 Soft-Starter**

Models: **SSW05 ... T ... PZ**

Has been designed and manufactured in accordance with the following standards:

**EN 50178 (1997)** Electronic Equipment for Use in Power Installations

**EN 60204-1 (1997)** Safety of Machinery - Electrical Equipment of Machines -  
Part 1: General Requirements

**EN 60947-4-2 (1999)** Low-voltage Switchgear and Controlgear - Part 4-2: AC  
Semiconductor Motor Controllers and Starters

Technical Construction File N° WEG002-2002

Prepared by: WEG Indústrias S/A - Automação  
Function: Manufacturer  
Date: 02/Sep/2002

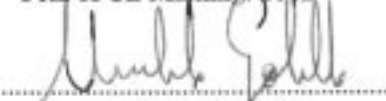
Competent Body:

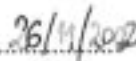
Name: SGS United Kingdom Ltd.  
Address: South Industrial Estate - Bowburn - Co. Durham -  
United Kingdom - DH6 5AD  
Certification N°: DUR24183/CST/AR/02

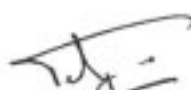
and when installed in accordance with the installation recommendations contained in  
the product documentation, conforms to relevant provisions of:

Low Voltage Directive 73/23/EEC as amended by the Directive 93/68/EEC and  
EMC Directive 89/336/EEC as amended by 92/31/EEC and 93/68/EEC.

Year of CE Marking: 2002

  
.....  
Umberto Gobato  
WEG Indústrias S/A - Automação  
Managing Director

  
.....  
Date



## GARANTIA SSW-05 Plus

A Weg Indústrias S.A – Divisão Automação, estabelecida na Av. Prefeito Waldemar Grubba, 3000 - Jaraguá do Sul – SC, oferece garantia para defeitos de fabricação ou de materiais, nas Soft-Starters SSW-05 Plus, conforme a seguir:

- 1.0 - É condição essencial para a validade desta garantia que a compradora examine minuciosamente a Soft-Starter adquirida imediatamente após a sua entrega, observando atentamente as suas características e as instruções de instalação, ajuste e manutenção da mesma. A Soft-Starter será considerada aceita e automaticamente aprovada pela compradora, quando não ocorrer a manifestação por escrito da compradora, no prazo máximo de cinco dias úteis após a data de entrega,
- 2.0 - O prazo desta garantia é de doze meses contados da data de fornecimento da WEG ou distribuidor autorizado, comprovado através da nota fiscal de compra do equipamento, limitado a vinte e quatro meses a contar da data de fabricação do produto, data esta que consta na etiqueta de características afixada no produto.
- 3.0 - Em caso de não funcionamento ou funcionamento inadequado da Soft-Starter durante o período de garantia, os serviços em garantia poderão ser realizados a critério da Weg Automação, na sua matriz em Jaraguá do Sul - SC, ou em uma Assistência Técnica Autorizada da Weg Automação, por esta indicada.
- 4.0 - O produto, na ocorrência de uma anomalia deverá estar disponível para o fornecedor, pelo período necessário para a identificação da causa da anomalia e seus devidos reparos.
- 5.0 - A Weg Automação ou uma Assistência Técnica Autorizada da Weg Automação, examinará a Soft-Starter enviada para conserto, e, caso comprove a existência de defeito coberto pela garantia, reparará, modificará ou substituirá a Soft-Starter defeituosa, à seu critério, sem custos para a compradora, exceto os mencionados no item 7.0.
- 6.0 - A responsabilidade da presente garantia se limita exclusivamente ao reparo, modificação ou substituição da Soft-Starter fornecida, não se responsabilizando a Weg por danos a pessoas, a terceiros, a outros equipamentos ou instalações, lucros cessantes ou quaisquer outros danos emergentes ou conseqüentes.
- 7.0 - Outras despesas como fretes, embalagens, custos e desmontagem/montagem e ajustes necessários, correrão por conta exclusiva a compradora, inclusive todos os honorários e despesas de locomoção e estadia dos técnicos da assistência técnica, quando eventualmente for solicitado e/ou necessário um atendimento nas instalações do usuário.
- 8.0 - A presente garantia não abrange o desgaste normal dos produtos ou equipamentos, nem os danos decorrentes de instalações de má qualidade, operação indevida ou negligente, ajuste incorreto, manutenção ou armazenagem inadequada, operação anormal em desacordo com as especificações técnicas, ou influências de natureza química, eletroquímica, elétrica, mecânica ou atmosférica.
- 9.0 - Ficam excluídas da responsabilidade por defeitos as partes ou peças consideradas de consumo, tais como partes de borracha ou plástico, bulbos incandescentes, bem como, os semicondutores de potencia.
- 10.0 - A garantia extinguir-se-á, independente de qualquer aviso, se a compradora fizer ou mandar fazer por terceiros, eventuais modificações ou reparos no produto ou equipamento que vier a apresentar defeito.
- 11.0 - Quaisquer reparos, modificações, substituições decorrentes de defeitos de fabricação não interrompem, nem prorrogam o prazo desta garantia.
- 12.0 - Toda e qualquer solicitação, reclamação, comunicação, etc., no que se refere a produtos em garantia, deverão ser dirigidos por escrito, ao seguinte endereço: WEG AUTOMAÇÃO. A/C Departamento de Assistência Técnica, Rua Prefeito Waldemar Grubba, 3000, malote 190, CEP 89256-900, Jaraguá do Sul – SC Brasil, Telefax 047-3724200, e-mail: [astec@weg.com.br](mailto:astec@weg.com.br)
- 13.0 - A garantia oferecida pela Weg Automação está condicionada à observância destas condições gerais, sendo este o único termo de garantia válido.







Transformando Energia em Soluções