

DATA SHEET



Three Phase Induction Motor - Squirrel Cage

Customer :				
Product line : W21 Explosion Proof NEMA Premium Efficiency Three-Phase		Product code : 14406917		
		Catalog # : 02018XT3E256TC		
Frame : 256TC	Insulation class : F	Cooling method : IC411 - TEFC	Mounting : F-1	
Duty cycle : Cont.(S1)	Ambient temperature : -20°C to +40°C	Rotation ¹ : Both (CW and CCW)	Starting method : Direct On Line	
Altitude : 1000 m.a.s.l.	Protection degree : IP55	Approx. weight ³ : 374 lb	Moment of inertia (J) : 2.89 sq.ft.lb	
Design : B				
Output [HP]	20		20	
Poles	4		4	
Frequency [Hz]	60		50	
Rated voltage [V]	230/460		380	
Rated current [A]	50.0/25.0		29.8	
L. R. Amperes [A]	375/188		173	
LRC [A]	7.5x(Code J)		5.8x(Code G)	
No load current [A]	23.6/11.8		11.7	
Rated speed [RPM]	1770		1455	
Slip [%]	1.67		3.00	
Rated torque [ft.lb]	59.3		72.2	
Locked rotor torque [%]	300		210	
Breakdown torque [%]	300		220	
Service factor	1.15		1.00	
Temperature rise	80 K		80 K	
Locked rotor time	36s (cold) 20s (hot)		36s (cold) 20s (hot)	
Noise level ²	69.0 dB(A)		67.0 dB(A)	
Efficiency (%)	25%	91.0	92.9	
	50%	91.7	92.4	
	75%	92.4	91.7	
	100%	93.0	91.0	
Power Factor	25%	0.38	0.43	
	50%	0.63	0.69	
	75%	0.75	0.79	
	100%	0.81	0.84	
Bearing type : 6309 C3	Drive end	Non drive end	Foundation loads	
Sealing : Oil Seal		Lip Seal	Max. traction : 707 lb	
Lubrication interval : 20000 h		20000 h	Max. compression : 1081 lb	
Lubricant amount : 13 g		9 g		
Lubricant type : Mobil Polyrex EM				
Notes USABLE @208V 55.3A SF 1.15 SFA 63.6A				
This revision replaces and cancel the previous one, which must be eliminated. (1) Looking the motor from the shaft end. (2) Measured at 1m and with tolerance of +3dB(A). (3) Approximate weight subject to changes after manufacturing process. (4) At 100% of full load.		These are average values based on tests with sinusoidal power supply, subject to the tolerances stipulated in NEMA MG-1.		
Rev.	Changes Summary		Performed	Checked
Performed by			Page	Revision
Checked by			1 / 2	
Date	12/10/2023			

DATA SHEET



Three Phase Induction Motor - Squirrel Cage

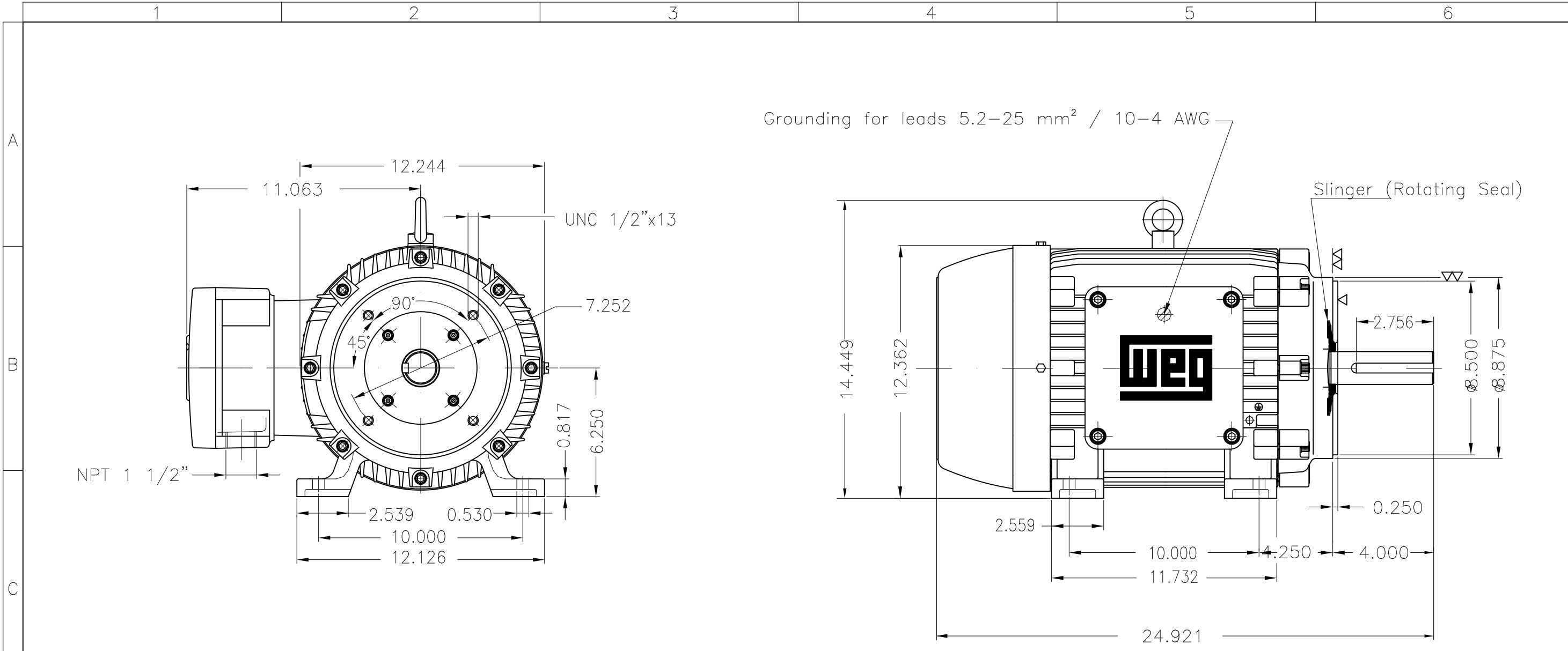
Customer : _____

Thermal protection

ID	Application	Type	Quantity	Sensing Temperature
1	Winding	Thermostat - 2 wires	1 x Phase	155 °C

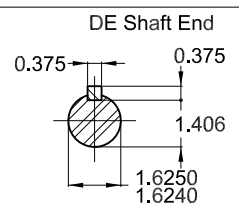
Rev.	Changes Summary	Performed	Checked	Date
Performed by		Page 2 / 2		Revision
Checked by				
Date	12/10/2023			

Grounding for leads 5.2–25 mm² / 10–4 AWG



20 HP 04 Poles 60 Hz		A	
HYBRISUSER		00	
ECM	LOC	SUMMARY OF MODIFICATIONS	EXECUTED
EXECUTED	HYBRISUSER	THREE PH. MOTOR EXPLOSION PROOF NEMA PREM. EFF.	CHECKED
CHECKED		FRAME 256TC IP55 TEFC	RELEASED
RELEASED			DATE
REL. DATE	WMO	Jaragua do Sul	VER

- With grease fitting
- Color RAL 5009
- Painting plan 222P
- Mounting NEMA F-1
- Mounting B34R(D)



PREVIEW
WDD 00
SHEET 1 / 1

MADE IN BRAZIL


W21X NEMA
Premium

14406917



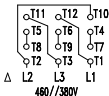
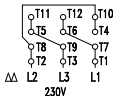
LISTED

CC029A

Inverter Duty Motor
Severe Duty

MODEL 02018XT3E256TC

PH 3	FR 256TC		
HP(kW) 20.0(15.0)		HZ 60	IP55
V 230/460		A 50.0/25.0	
RPM 1770		NEMA NOM EFF 93.0%	
PF 0.81		SFA 57.5/28.7	DES B
INS CL F Δ T 80 K		SF 1.15	ENCL TEFC
DUTY CONT.		CODE J	ALT 1000 m.a.s.l.
AMB 40°C			
AMB 55°C SF1.0			
20HP 15kW 50Hz 380V 29.8A 1455RPM SF1.00 EFF 91.0% (IE2)			



→ 6309-C3 MOBIL POLYREX EM
 → 6209-C3 13 g 20000 h

375 Lbs



TEMP CODE T3C
 CSA/UL: Class I - Div. 1 - Groups C and D
 CSA: Class II - Div. 1 - Groups F and G
 CSA: Class I - Zone 1 - IIB

EXPLOSION PROOF MOTOR

FOR USE ON VPWM VFD 1000:1VT, 6:1CT, 1.0SF, T3C, AMB 40°C.