

DATA SHEET

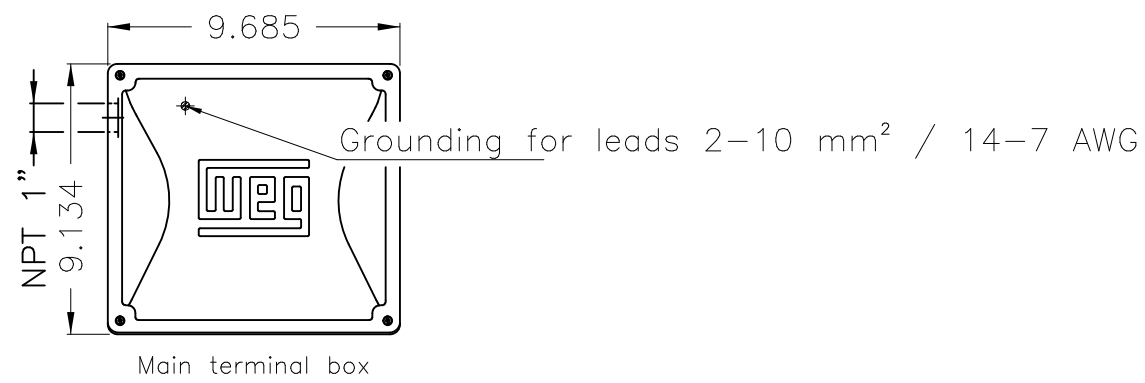


Single Phase Induction Motor - Squirrel Cage

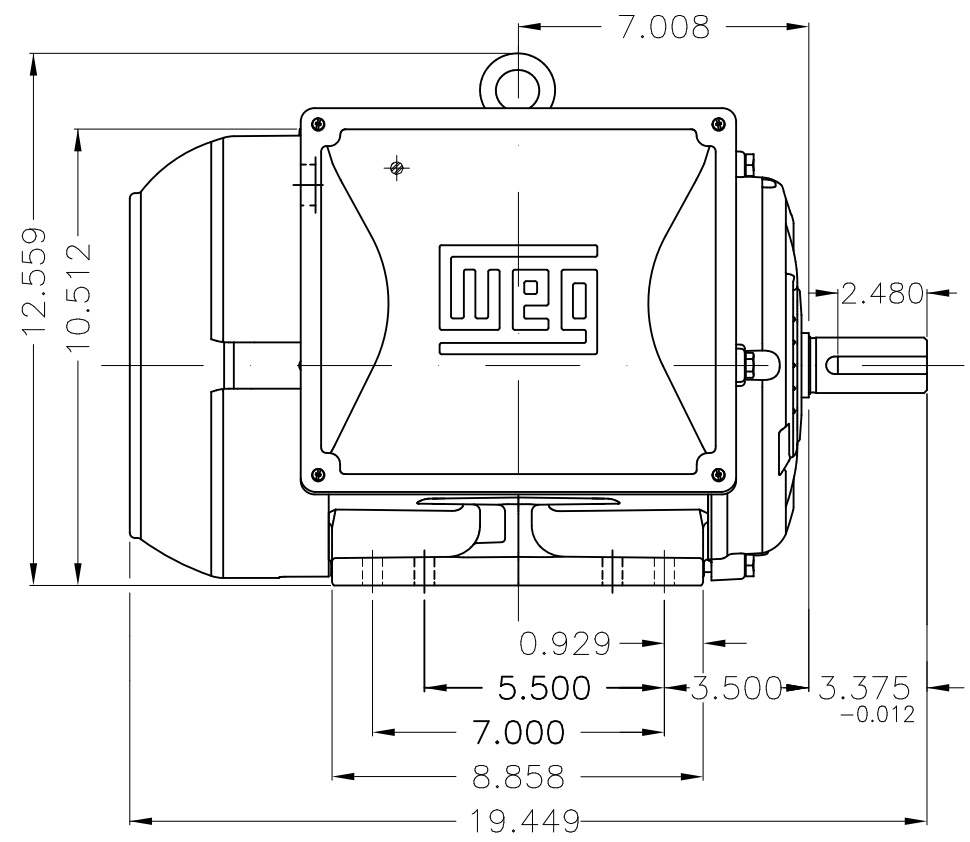
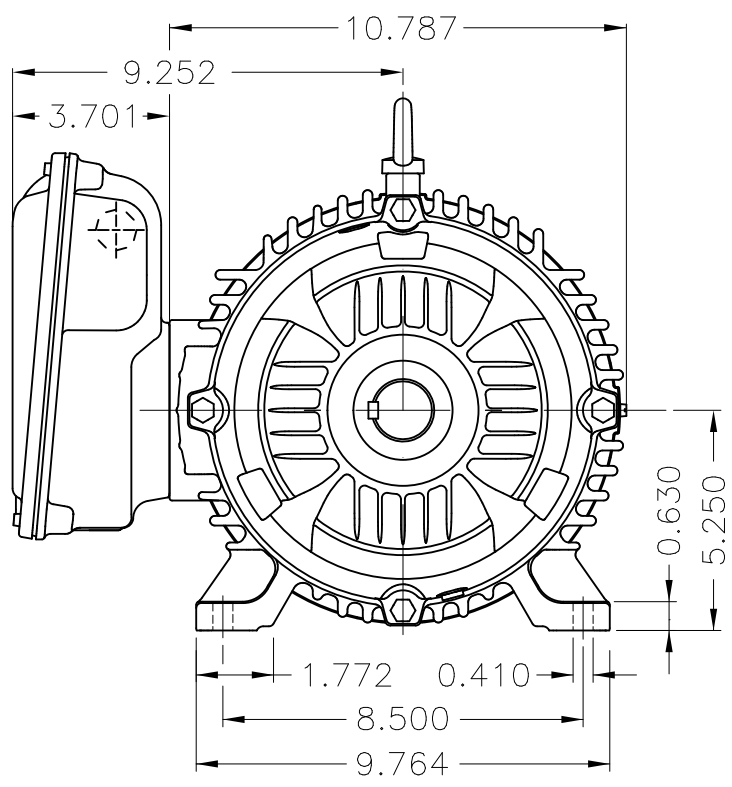
Customer :					
Product line : W22 Single-Phase		Product code : 14112391		Catalog # : 01036ES1E215T-W22	
Frame : 213/5T	Output : 10 HP (7.5 kW)	Poles : 2	Frequency : 60 Hz	Rated voltage : 208-230 V	
Rated current : 41.8-38.8 A	L. R. Amperes : 293-272 A	LRC : 7.0x(Code G)	No load current : 5.95-6.90 A	Rated speed : 3515 rpm	
Slip : 2.36 %	Rated torque : 14.9 ft.lb	Locked rotor torque : 229 %	Breakdown torque : 290 %	Insulation class : F	
Service factor : 1.15	Moment of inertia (J) : 0.5285 sq.ft.lb	Locked rotor time : 14s (cold) 8s (hot)	Temperature rise : 80 K	Duty cycle : Cont.(S1)	
		Ambient temperature : -20°C to +40°C	Altitude : 1000 m.a.s.l.	Protection degree : IP55	
		Cooling method : IC411 - TEFC	Mounting : F-1	Rotation ¹ : Both (CW and CCW)	
		Noise level ² : 72.0 dB(A)	Starting method : Direct On Line	Approx. weight ³ : 165 lb	
Output	25%	50%	75%	100%	
Efficiency (%)	80.8	82.0	85.5	86.5	
Power Factor	0.76	0.96	0.97	0.97	
Foundation loads		Max. traction : 161 lb			
		Max. compression : 327 lb			
Bearing type :	<u>Drive end</u>	<u>Non drive end</u>			
Sealing :	6308 ZZ	6206 ZZ			
Lubrication interval :	V'Ring	V'Ring			
Lubricant amount :	-	-			
Lubricant type :	Mobil Polyrex EM				
Notes					
This revision replaces and cancel the previous one, which must be eliminated. (1) Looking the motor from the shaft end. (2) Measured at 1m and with tolerance of +3dB(A). (3) Approximate weight subject to changes after manufacturing process. (4) At 100% of full load.			These are average values based on tests with sinusoidal power supply, subject to the tolerances stipulated in NEMA MG-1.		
Rev.	Changes Summary		Performed	Checked	Date
Performed by					
Checked by				Page	Revision
Date	11/10/2023			1 / 1	

1 2 3 4 5 6

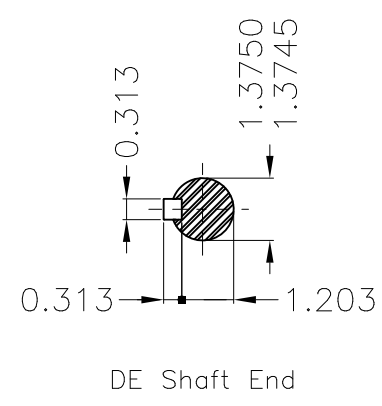
A



B



C



D

E

Mounting NEMA F-1					
Mounting B3R(D)					
				HYBRISUSER	00
ECM	LOC	SUMMARY OF MODIFICATIONS		EXECUTED	CHECKED
EXECUTED	HYBRISUSER	SINGLE PH. MOTOR W22			
CHECKED		FRAME 213/5T IP55 TEFC			
RELEASED					
REL. DATE		WMO	Jaragua do Sul	Product Engineering	
				PREVIEW	
				WDD	00
				SHEET 1 / 1	

10 HP 02 Poles 60 Hz

A





Mod.ME1BFOXOX

MADE IN BRAZIL
14112391

MODEL 01036ES1E215T-W22

Electric Motor
Severe Duty

PH1 60Hz Fr. 213/5T 1000m.a.s.l. IP55 TEFC 165lb

V 230/460

A 38.8/19.4

HP 10

kW 7.5

SF 1.15

SFA

RPM 3515

PF 0.97

AMB 40°C

INS cl. F DT80K

NEMA NOM EFF 86.5%

DUTY CONT.

DES - Code G

TO REVERSE ROTATION INVERT T5 AND T8



LOW VOLTAGE



HIGH VOLTAGE



MOBIL POLYREX EM

