

# DATA SHEET

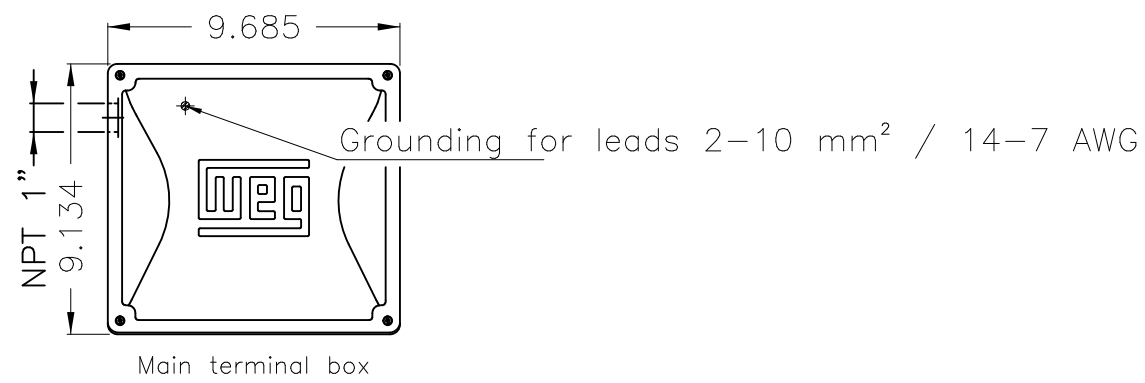


## Single Phase Induction Motor - Squirrel Cage

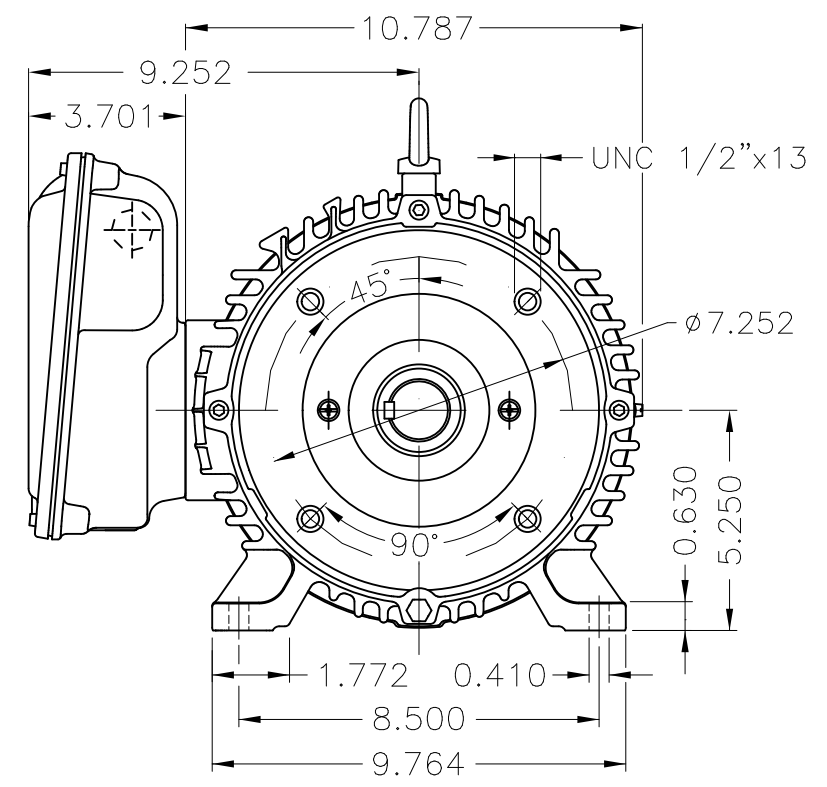
Customer :				
Product line : W22 Single-Phase		Product code : 14074771		
		Catalog # : 01036ES1E215TC-W22		
Frame	: 213/5TC	Locked rotor time	: 14s (cold) 8s (hot)	
Output	: 10 HP (7.5 kW)	Temperature rise	: 80 K	
Poles	: 2	Duty cycle	: Cont.(S1)	
Frequency	: 60 Hz	Ambient temperature	: -20°C to +40°C	
Rated voltage	: 208-230 V	Altitude	: 1000 m.a.s.l.	
Rated current	: 41.8-38.8 A	Protection degree	: IP55	
L. R. Amperes	: 293-272 A	Cooling method	: IC411 - TEFC	
LRC	: 7.0x(Code G)	Mounting	: F-1	
No load current	: 5.95-6.90 A	Rotation <sup>1</sup>	: Both (CW and CCW)	
Rated speed	: 3515 rpm	Noise level <sup>2</sup>	: 72.0 dB(A)	
Slip	: 2.36 %	Starting method	: Direct On Line	
Rated torque	: 14.9 ft.lb	Approx. weight <sup>3</sup>	: 170 lb	
Locked rotor torque	: 229 %			
Breakdown torque	: 290 %			
Insulation class	: F			
Service factor	: 1.15			
Moment of inertia (J)	: 0.5285 sq.ft.lb			
Output	25%	50%	75%	100%
Efficiency (%)	80.8	82.0	85.5	86.5
Power Factor	0.76	0.96	0.97	0.97
Foundation loads				
Max. traction : 159 lb				
Max. compression : 329 lb				
		<u>Drive end</u>	<u>Non drive end</u>	
Bearing type	:	6308 ZZ	6206 ZZ	
Sealing	:	V'Ring	V'Ring	
Lubrication interval	:	-	-	
Lubricant amount	:	-	-	
Lubricant type	:	Mobil Polyrex EM		
Notes				
This revision replaces and cancel the previous one, which must be eliminated.				
(1) Looking the motor from the shaft end.				
(2) Measured at 1m and with tolerance of +3dB(A).				
(3) Approximate weight subject to changes after manufacturing process.				
(4) At 100% of full load.				
These are average values based on tests with sinusoidal power supply, subject to the tolerances stipulated in NEMA MG-1.				
Rev.	Changes Summary		Performed	Checked
Performed by			Page	Revision
Checked by				
Date	11/10/2023			
			1 / 1	

1 2 3 4 5 6

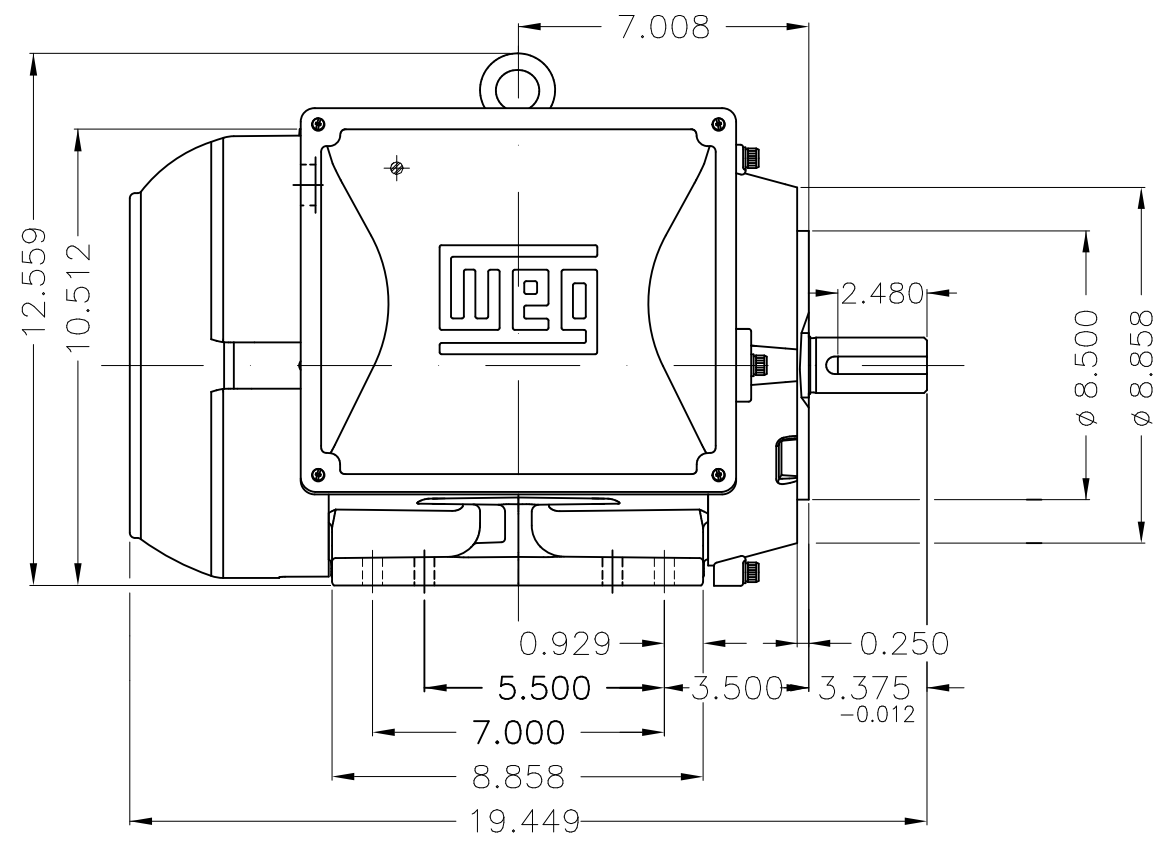
A



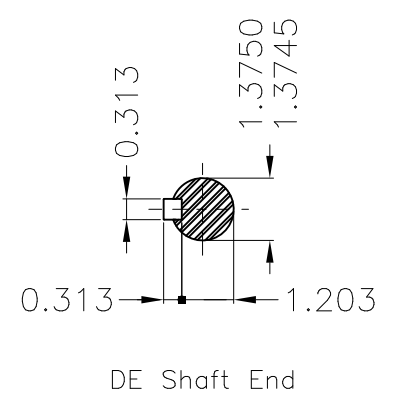
B



C



D



E

Bearing cap					
Mounting NEMA F-1					
Mounting B34R(D)					
				HYBRISUSER	00
ECM	LOC	SUMMARY OF MODIFICATIONS		EXECUTED	CHECKED
EXECUTED	HYBRISUSER	SINGLE PH. MOTOR W22			
CHECKED		FRAME 213/5TC IP55 TEFC			
RELEASED					
REL. DATE		WMO	Jaragua do Sul	Product Engineering	
				PREVIEW	
				WDD	00
				SHEET	1 / 1

10 HP 02 Poles 60 Hz

A

