

DATA SHEET



Single Phase Induction Motor - Squirrel Cage

Customer :						
Product line : Pool Spa Pump Single-Phase Start Capacitor		Product code : 11503512				
		Catalog # : PCJ110				
Frame : K56J	Output : 1 HP (0.75 kW)	Poles : 2	Frequency : 60 Hz	Rated voltage : 115/230 V		
Rated current : 12.5/6.25 A	L. R. Amperes : 71.2/35.6 A	LRC : 5.7x(Code K)	No load current : 8.30/4.15 A	Rated speed : 3470 rpm		
Slip : 3.61 %	Rated torque : 1.51 ft.lb	Locked rotor torque : 140 %	Breakdown torque : 250 %	Insulation class : B		
Service factor : 1.25	Moment of inertia (J) : 0.0297 sq.ft.lb	Locked rotor time : 10s (cold) 6s (hot)	Temperature rise : 70 K	Duty cycle : Cont.(S1)		
		Ambient temperature : -20°C to +50°C	Altitude : 1000 m.a.s.l.	Protection degree : IP21		
		Cooling method : IC01 - ODP	Mounting : F-1	Rotation ¹ : CCW		
		Noise level ² : 58.0 dB(A)	Starting method : Direct On Line	Approx. weight ³ : 25.8 lb		
Output	25%	50%	75%	100%		
Efficiency (%)	58.3	61.0	67.0	70.1		
Power Factor	0.32	0.56	0.67	0.74		
Foundation loads						
Max. traction						
Max. compression						
Bearing type :	<u>Drive end</u> 6203 2RS		<u>Non drive end</u> 6203 2RS			
Sealing :	Without Bearing Seal		Without Bearing Seal			
Lubrication interval :	-		-			
Lubricant amount :	-		-			
Lubricant type :	Mobil Polyrex EM					
Notes						
This revision replaces and cancel the previous one, which must be eliminated. (1) Looking the motor from the shaft end. (2) Measured at 1m and with tolerance of +3dB(A). (3) Approximate weight subject to changes after manufacturing process. (4) At 100% of full load.			These are average values based on tests with sinusoidal power supply, subject to the tolerances stipulated in NEMA MG-1.			
Rev.	Changes Summary			Performed	Checked	Date
Performed by						
Checked by					Page	Revision
Date	11/10/2023				1 / 1	

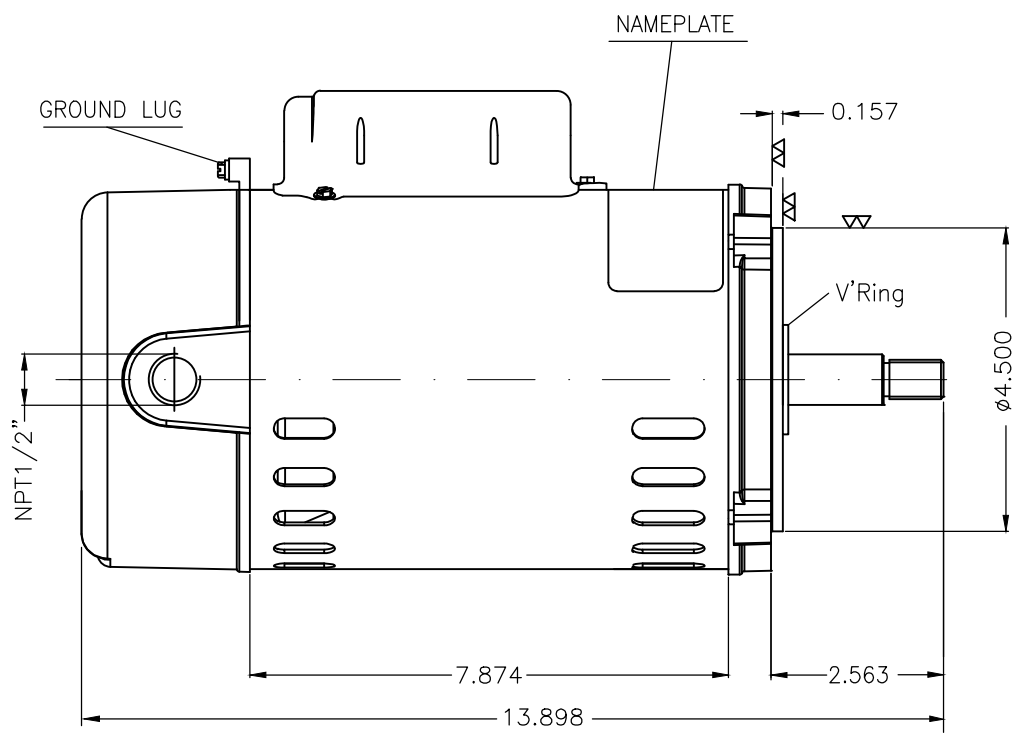
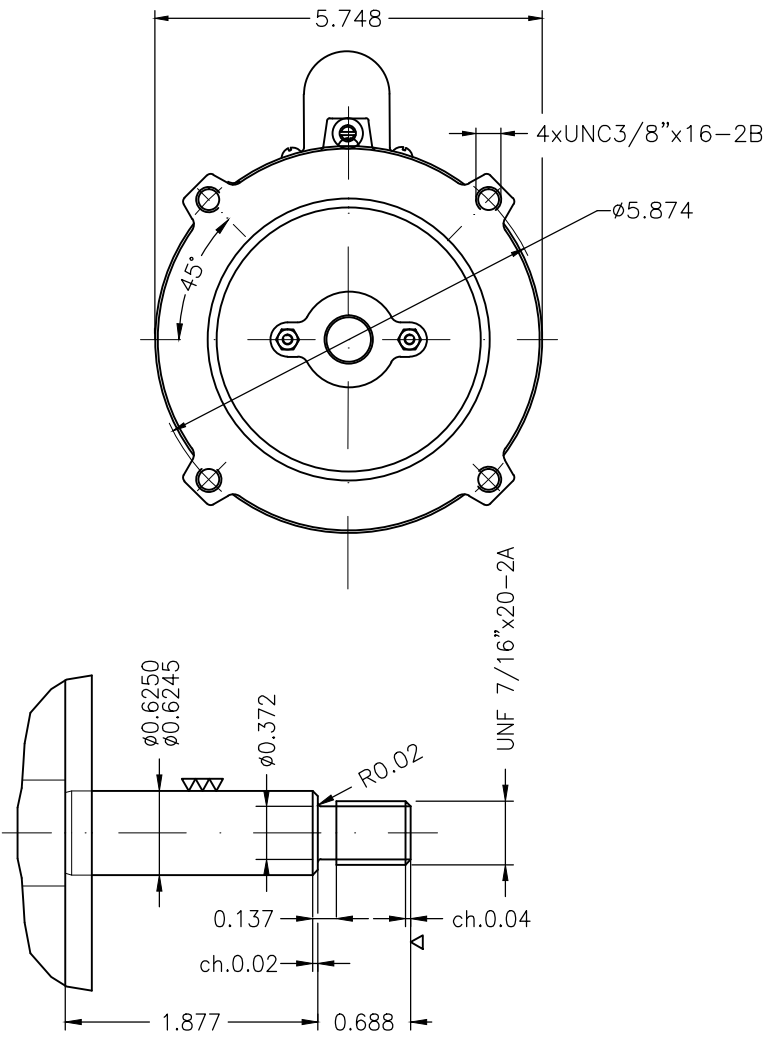
EIXO/SHAFT	
PADRÃO/STANDARD	X
OPCIONAL/OPTIONAL	
ESPECIAL/SPECIAL	

Dimensões em polegada
Dimensions in inches

**CERTIFIED
WEG MOTORES**
Certified document.
Not subject to changes.

THIS IS AN UPDATED REVISION, THE
PREVIOUS ONE MUST BE DISREGARDED.

A
B
C
D
E



Forma construtiva B14D / Mounting B14R(D)									
WEG ELECTRIC CORPORATION - WEC									
500001005609		corrigido nota oculta.		DEISEM					01
500001005609		DOCUMENTO NOVO		DEISEM		EMERSONRH	26.02.2015		00
ECM ECM	LOC LOC	RESUMO MODIFICAÇÃO SUMMARY OF MODIFICATIONS			EXECUTADO EXECUTED	VERIFICADO CHECKED	LIBERADO RELEASED	DATA DATE	VER VER
C	EXEC. / EXECUTED	DEISEM	SINGLE PHASE MOTOR POOL & SPA			10003385151			
B	VERIF. / CHECKED		FRAME K56J IP21 (ODP)			000 01			
A	LIBER. / RELEASED	EMERSONRH	BOMBA DE PISCINA						
	DATA LB / REL DT	26.02.2015	WMO	JARAGUA DO SUL	ENGENHARIA DE PRODUTO	FOLHA / SHEET	1 / 1		

1/2 HP	02 Polos	60Hz
1/3 HP	02 Polos	60Hz
3/4 HP	02 Polos	60Hz