

# DATA SHEET



## Single Phase Induction Motor - Squirrel Cage

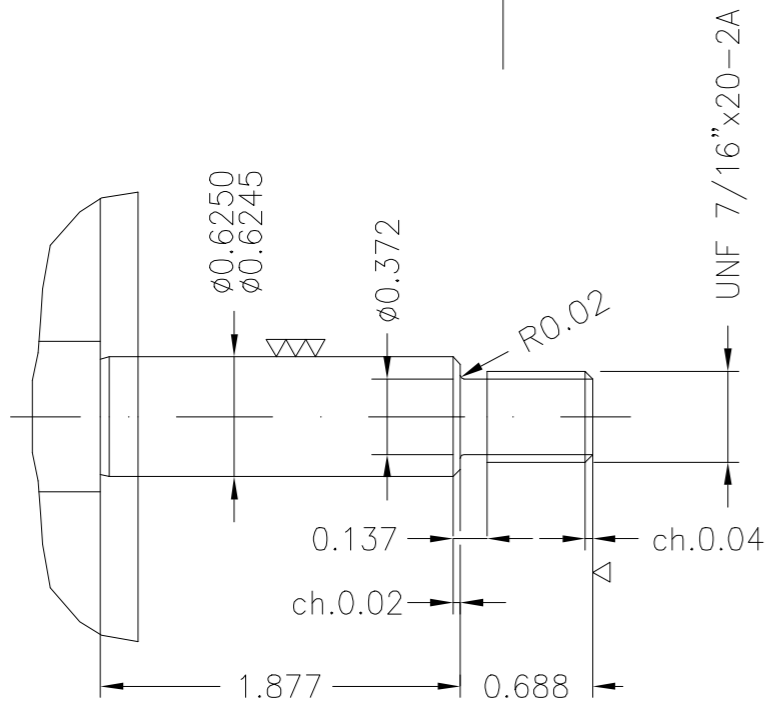
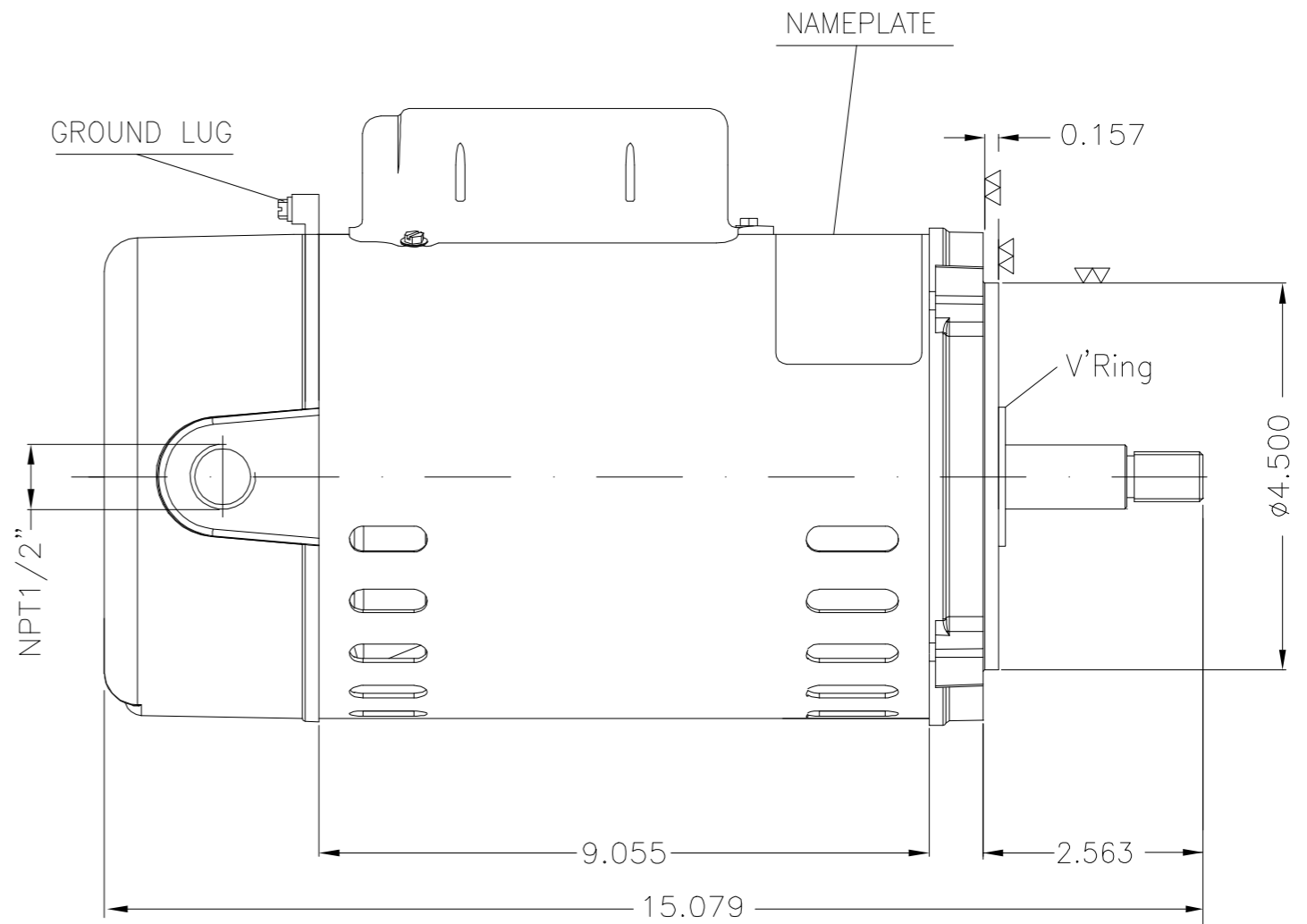
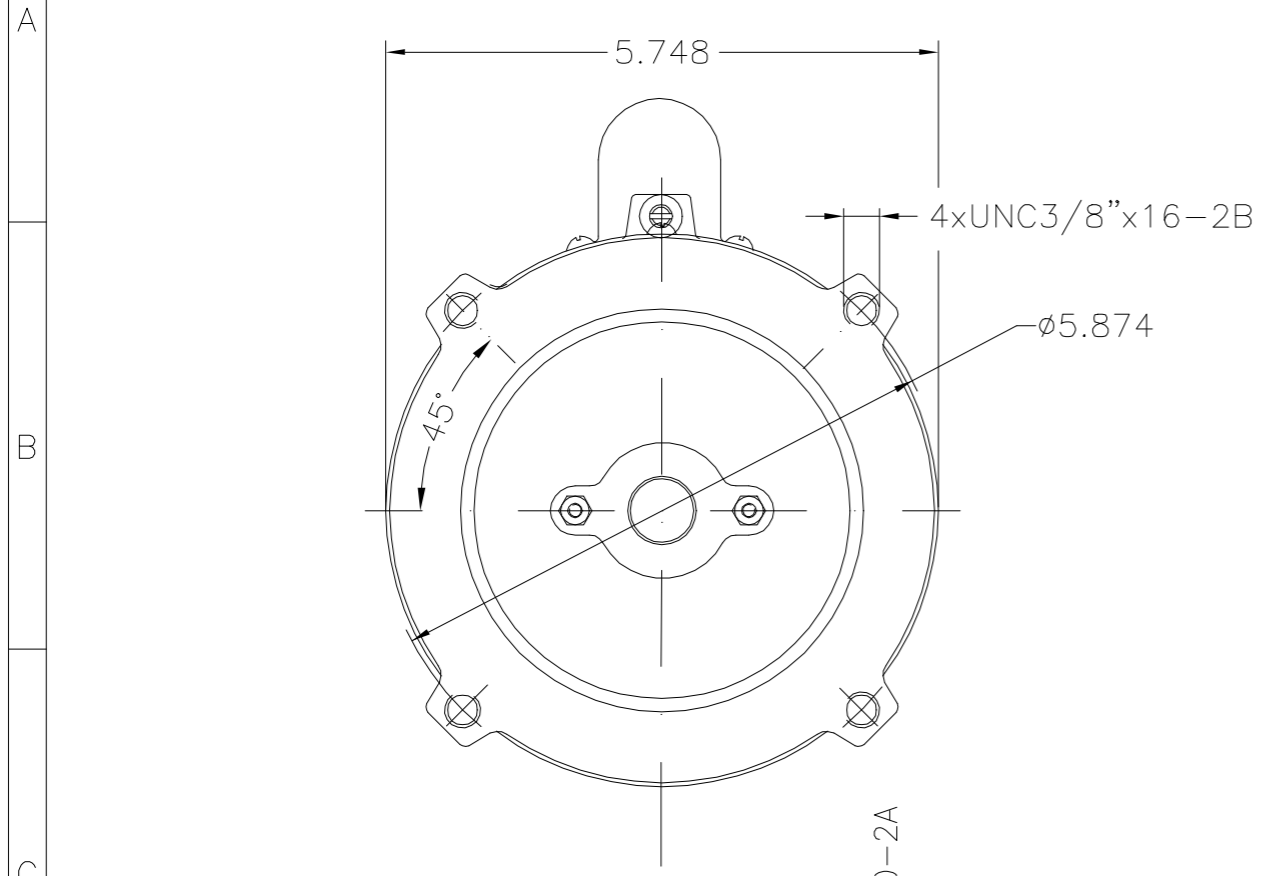
Customer :				
Product line : Pool Spa Pump Single-Phase Start Capacitor		Product code : 10715566		
		Catalog # : PCJ120		
Frame : M56J	Output : 2 HP (1.5 kW)	Poles : 2	Frequency : 60 Hz	Rated voltage : 230 V
Rated current : 9.30 A	L. R. Amperes : 54.9 A	LRC : 5.9x(Code H)	No load current : 3.90 A	Rated speed : 3460 rpm
Slip : 3.89 %	Rated torque : 3.04 ft.lb	Locked rotor torque : 130 %	Breakdown torque : 229 %	Insulation class : B
Service factor : 1.10	Moment of inertia (J) : 0.0403 sq.ft.lb	Locked rotor time : 10s (cold) 6s (hot)	Temperature rise : 70 K	Duty cycle : Cont.(S1)
		Ambient temperature : -20°C to +50°C	Altitude : 1000 m.a.s.l.	Protection degree : IP21
		Cooling method : IC01 - ODP	Mounting : F-1	Rotation <sup>1</sup> : CCW
		Noise level <sup>2</sup> : 58.0 dB(A)	Starting method : Direct On Line	Approx. weight <sup>3</sup> : 31.8 lb
Output	25%	50%	75%	100%
Efficiency (%)	65.6	68.0	74.0	76.6
Power Factor	0.52	0.80	0.88	0.91
Foundation loads				
Max. traction				
Max. compression				
Bearing type :	<u>Drive end</u> 6203 2RS		<u>Non drive end</u> 6203 2RS	
Sealing :	Without Bearing Seal		Without Bearing Seal	
Lubrication interval :	-		-	
Lubricant amount :	-		-	
Lubricant type :	Mobil Polyrex EM			
Notes				
This revision replaces and cancel the previous one, which must be eliminated. (1) Looking the motor from the shaft end. (2) Measured at 1m and with tolerance of +3dB(A). (3) Approximate weight subject to changes after manufacturing process. (4) At 100% of full load.			These are average values based on tests with sinusoidal power supply, subject to the tolerances stipulated in NEMA MG-1.	
Rev.	Changes Summary		Performed	Checked
Performed by			Page	Revision
Checked by				
Date	11/10/2023			
			1 / 1	

EIXO/SHAFT	
PADRÃO/STANDARD	X
OPCIONAL/OPTIONAL	
ESPECIAL/SPECIAL	

Dimensões em polegada  
Dimensions in inches

**CERTIFIED WEG MOTORES**  
Certified document.  
Not subject to changes.

THIS IS AN UPDATED REVISION, THE PREVIOUS ONE MUST BE DISREGARDED.



A  
B  
C  
D  
E

Forma construtiva B14D / Mounting B14R(D)						
<b>WEG ELECTRIC CORPORATION - WEC</b>						
500001005314		DOCUMENTO NOVO	DEISEM	EMERSONRH	26.02.2015	00
ECM	LOC	SUMMARY OF MODIFICATIONS	EXECUTED	CHECKED	RELEASED	DATE VER
EXECUTED	DEISEM	SINGLE PHASE MOTOR POOL & SPA FRAME M56J IP21 (ODP) BOMBA DE PISCINA				
CHECKED						
RELEASED	EMERSONRH					
REL DT	26.02.2015	WMO	JARAGUA DO SUL	ENGENHARIA DE PRODUTO	10003395248 000   00 SHEET 1 / 1	

2.0 HP	02 Polos	60Hz
1.5 HP	02 Polos	60Hz

B  
A

UNCONTROLLED COPY  
RELEASED  
ZME A3