

# DATA SHEET



## Single Phase Induction Motor - Squirrel Cage

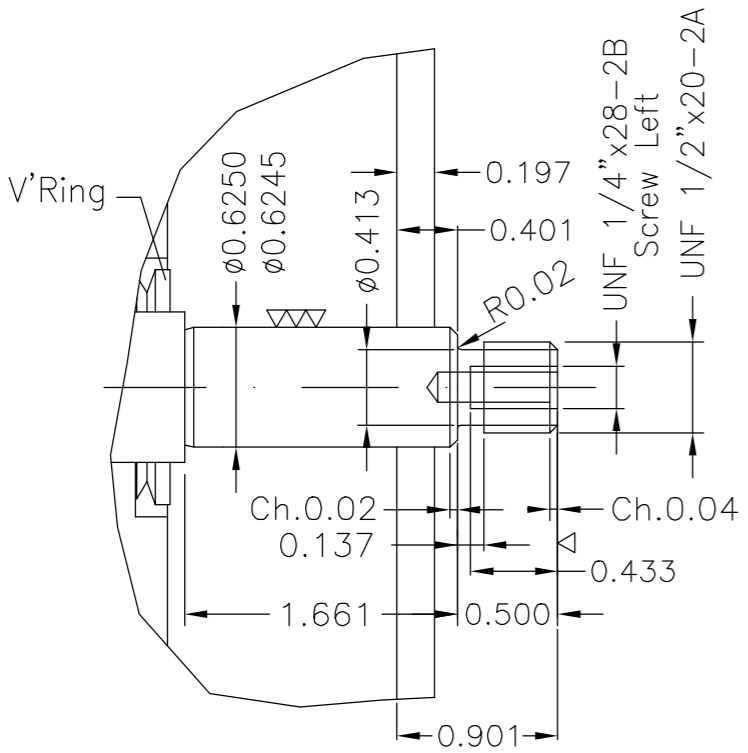
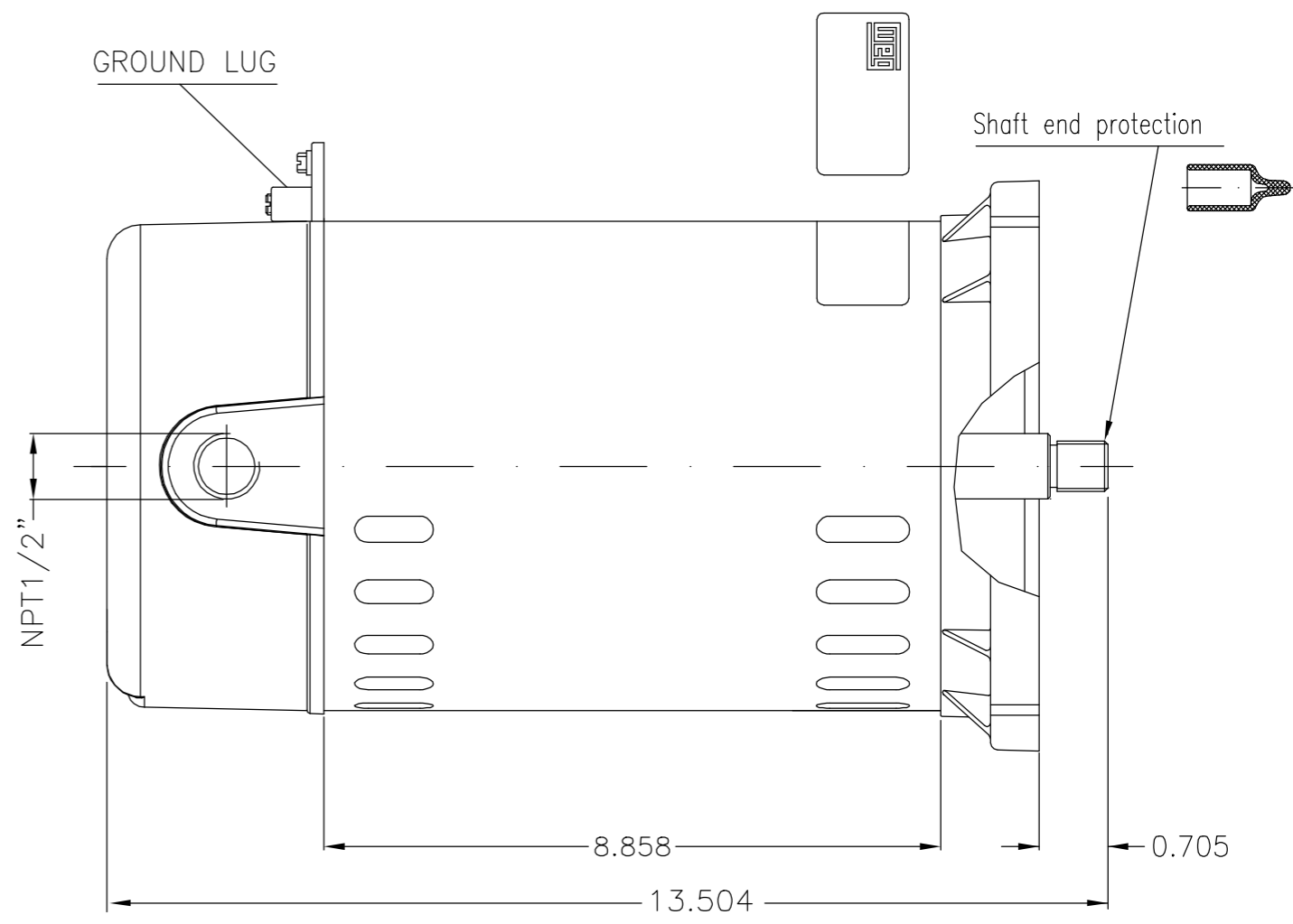
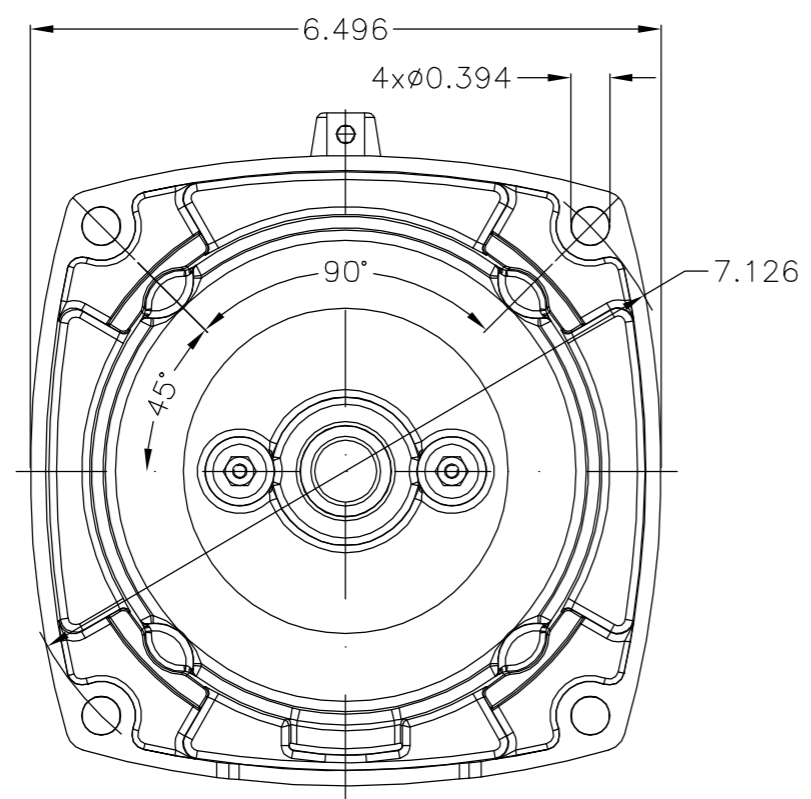
Customer :					
Product line : Pool Spa Pump Single-Phase Start Capacitor		Product code : 10715620			
		Catalog # : PCQ115			
Frame : L48Y	Output : 1.5 HP (1.1 kW)	Poles : 2	Frequency : 60 Hz	Rated voltage : 115/230 V	
Rated current : 17.7/8.85 A	L. R. Amperes : 104/52.2 A	LRC : 5.9x(Code K)	No load current : 10.5/5.25 A	Rated speed : 3450 rpm	
Slip : 4.17 %	Rated torque : 2.28 ft.lb	Locked rotor torque : 130 %	Breakdown torque : 210 %	Insulation class : B	
Service factor : 1.10	Moment of inertia (J) : 0.0361 sq.ft.lb	Locked rotor time : 10s (cold) 6s (hot)	Temperature rise : 70 K	Duty cycle : Cont.(S1)	
		Ambient temperature : -20°C to +50°C	Altitude : 1000 m.a.s.l.	Protection degree : IP21	
		Cooling method : IC01 - ODP	Mounting : F-1	Rotation <sup>1</sup> : CCW	
		Noise level <sup>2</sup> : 58.0 dB(A)	Starting method : Direct On Line	Approx. weight <sup>3</sup> : 28.0 lb	
Output	25%	50%	75%	100%	
Efficiency (%)	63.5	64.5	69.0	69.6	
Power Factor	0.35	0.61	0.72	0.79	
Foundation loads					
Max. traction					
Max. compression					
Bearing type	:	<u>Drive end</u> 6203 2RS	<u>Non drive end</u> 6203 2RS		
Sealing	:	Lip Seal	Lip Seal		
Lubrication interval	:	-	-		
Lubricant amount	:	-	-		
Lubricant type	:	Mobil Polyrex EM			
Notes					
This revision replaces and cancel the previous one, which must be eliminated. (1) Looking the motor from the shaft end. (2) Measured at 1m and with tolerance of +3dB(A). (3) Approximate weight subject to changes after manufacturing process. (4) At 100% of full load.			These are average values based on tests with sinusoidal power supply, subject to the tolerances stipulated in NEMA MG-1.		
Rev.	Changes Summary			Performed	
				Checked	
				Date	
Performed by				Page 1 / 1	
Checked by					Revision
Date	11/10/2023				

EIXO/SHAFT	
PADRÃO/STANDARD	X
OPCIONAL/OPTIONAL	
ESPECIAL/SPECIAL	

Dimensões em polegada  
Dimensions in inch

THIS IS AN UPDATED REVISION, THE PREVIOUS ONE MUST BE DISREGARDED.

A  
B  
C  
D  
E



Material do Eixo - Aço inox AISI 316 / Shaft material - stainless steel AISI 316

Forma construtiva B14D / Mounting B14R(D)

WEG EQUIPAMENTOS ELETRICOS S/A

500001478187	DOCUMENTO NOVO	DEISEM	AKLOSOWSKI	AKLOSOWSKI	17.07.2018	00			
ECM	LOC	SUMMARY OF MODIFICATIONS			EXECUTED	CHECKED	RELEASED	DATE	VER
EXECUTED	DEISEM	SINGLE PHASE MOTOR POOL AND SPA				10005914229			
CHECKED	AKLOSOWSKI	FRAME L48Y IP21 ODP				000	00		
RELEASED	AKLOSOWSKI								
REL DT	17.07.2018	WMO	Jaragua do Sul	Product Engineering	SHEET	01 / 01			

1.5 HP 02 Poles 60Hz

A

UNCONTROLLED COPY  
RELEASED  
ZME A3