

# DATA SHEET



## Single Phase Induction Motor - Squirrel Cage

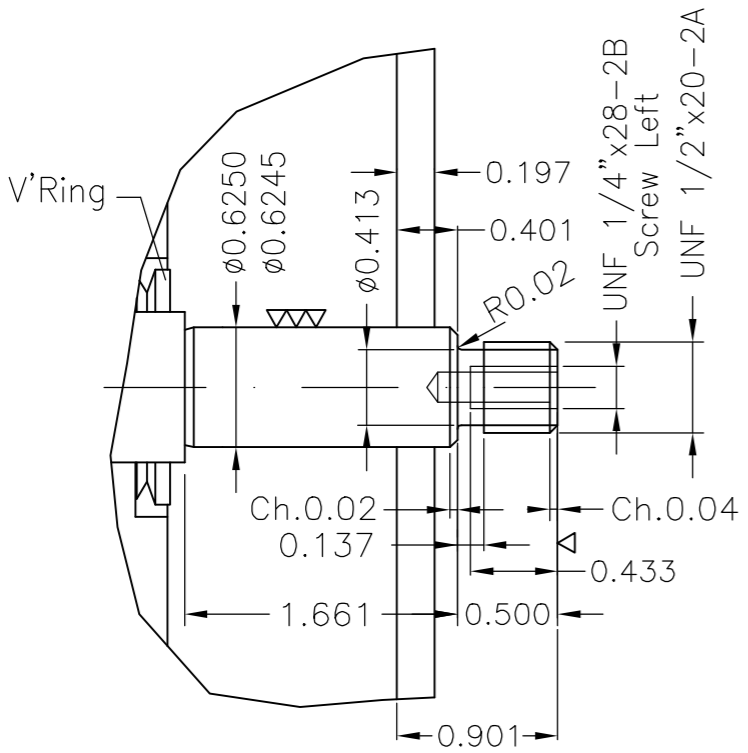
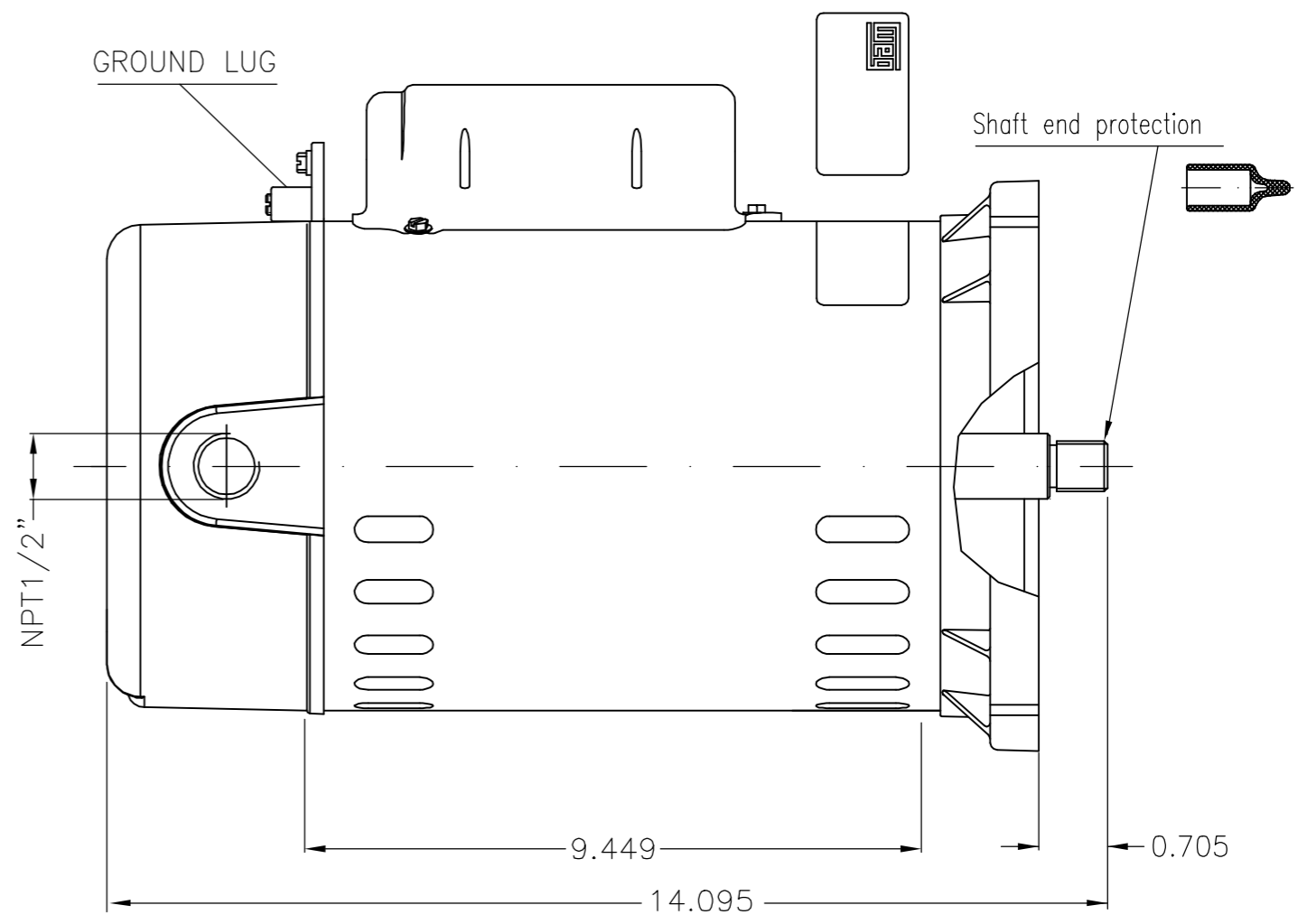
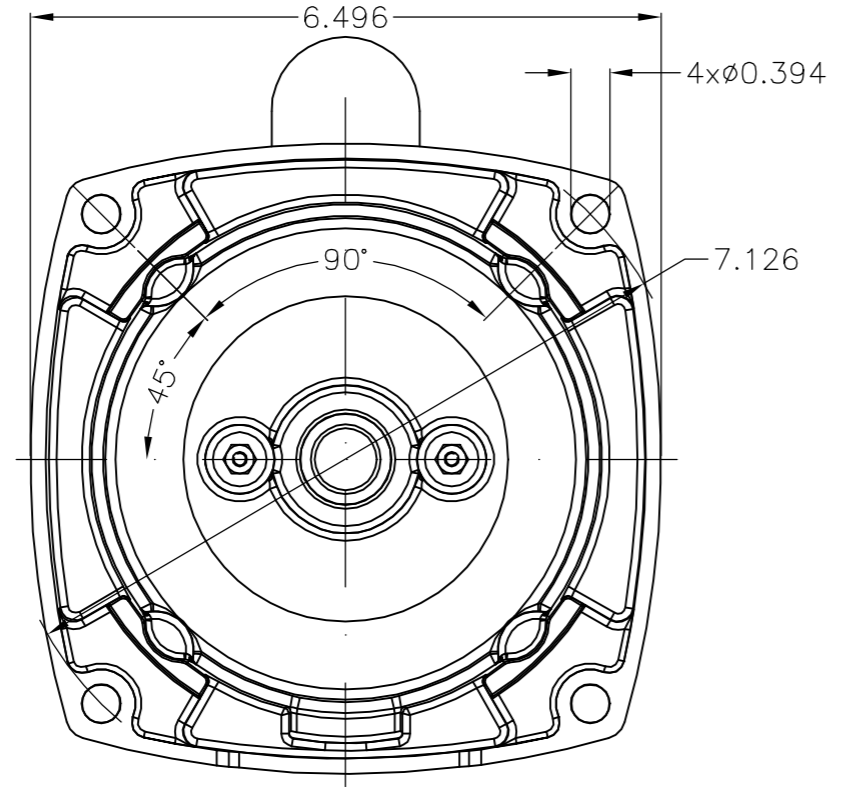
Customer :				
Product line : Pool Spa Pump Single-Phase Start Capacitor		Product code : 10818606		
		Catalog # : PCQ120		
Frame : M48Y	Output : 2 HP (1.5 kW)	Poles : 2	Frequency : 60 Hz	Rated voltage : 230 V
Rated current : 9.30 A	L. R. Amperes : 54.9 A	LRC : 5.9x(Code H)	No load current : 3.90 A	Rated speed : 3460 rpm
Slip : 3.89 %	Rated torque : 3.04 ft.lb	Locked rotor torque : 130 %	Breakdown torque : 229 %	Insulation class : B
Service factor : 1.10	Moment of inertia (J) : 0.0403 sq.ft.lb	Locked rotor time : 10s (cold) 6s (hot)	Temperature rise : 70 K	Duty cycle : Cont.(S1)
		Ambient temperature : -20°C to +50°C	Altitude : 1000 m.a.s.l.	Protection degree : IP21
		Cooling method : IC01 - ODP	Mounting : F-1	Rotation <sup>1</sup> : CCW
		Noise level <sup>2</sup> : 58.0 dB(A)	Starting method : Direct On Line	Approx. weight <sup>3</sup> : 30.6 lb
Output	25%	50%	75%	100%
Efficiency (%)	65.6	68.0	74.0	76.6
Power Factor	0.52	0.80	0.88	0.91
Foundation loads				
Max. traction				
Max. compression				
Bearing type	:	<u>Drive end</u> 6203 2RS	<u>Non drive end</u> 6203 2RS	
Sealing	:	Lip Seal	Lip Seal	
Lubrication interval	:	-	-	
Lubricant amount	:	-	-	
Lubricant type	:	Mobil Polyrex EM		
Notes				
This revision replaces and cancel the previous one, which must be eliminated. (1) Looking the motor from the shaft end. (2) Measured at 1m and with tolerance of +3dB(A). (3) Approximate weight subject to changes after manufacturing process. (4) At 100% of full load.			These are average values based on tests with sinusoidal power supply, subject to the tolerances stipulated in NEMA MG-1.	
Rev.	Changes Summary			Performed
Checked				Date
Performed by				Page
Checked by				Revision
Date	11/10/2023			1 / 1

EIXO/SHAFT	
PADRÃO/STANDARD	X
OPCIONAL/OPTIONAL	
ESPECIAL/SPECIAL	

Dimensões em polegada  
Dimensions in inch

THIS IS AN UPDATED REVISION, THE PREVIOUS ONE MUST BE DISREGARDED.

A  
B  
C  
D  
E



Material do Eixo - Aço inox AISI 316 / Shaft material - stainless steel AISI 316

Forma construtiva B14D / Mounting B14R(D)

WEG EQUIPAMENTOS ELETRICOS S/A

500001478755	DOCUMENTO NOVO	DEISEM	AKLOSOWSKI	AKLOSOWSKI	18.07.2018	00			
ECM	LOC	SUMMARY OF MODIFICATIONS			EXECUTED	CHECKED	RELEASED	DATE	VER
EXECUTED	DEISEM	SINGLE PHASE MOTOR POOL AND SPA			10005914922				
CHECKED	AKLOSOWSKI	FRAME M48Y IP21 ODP			000	00			
RELEASED	AKLOSOWSKI								
REL DT	18.07.2018	WMO	Jaragua do Sul	Product Engineering	SHEET	01 / 01			

2.5 HP	02 Poles	60Hz	C
2.0 HP	02 Poles	60Hz	B
1.5 HP	02 Poles	60Hz	A