

# DATA SHEET



## Three Phase Induction Motor - Squirrel Cage

Customer : \_\_\_\_\_

Product line : Multimounting IE3 Three-Phase      Product code : 13984021  
 Catalog # : 00236ET3WAL90LFF-W22

Frame : 90S/L	Cooling method : IC411 - TEFC
Insulation class : F	Mounting : B35L(E)
Duty cycle : S1	Rotation <sup>1</sup> : Both (CW and CCW)
Ambient temperature : -20°C to +40°C	Starting method : Direct On Line
Altitude : 1000 m.a.s.l.	Approx. weight <sup>3</sup> : 48.2 lb
Protection degree : IP55	Moment of inertia (J) : 0.0617 sq.ft.lb
Design : N	

Output [HP]	3	3	3	
Poles	2	2	2	
Frequency [Hz]	50	50	60	
Rated voltage [V]	220/380	240/415	460	
Rated current [A]	7.81/4.52	7.56/4.37	3.85	
L. R. Amperes [A]	55.4/32.1	60.5/35.0	35.0	
LRC [A]	7.1	8.0	9.1	
No load current [A]	2.85/1.65	3.54/2.05	1.70	
Rated speed [RPM]	2840	2875	3480	
Slip [%]	5.33	4.17	3.33	
Rated torque [ft.lb]	5.55	5.48	4.53	
Locked rotor torque [%]	300	380	430	
Breakdown torque [%]	310	380	459	
Service factor	1.25	1.25	1.25	
Temperature rise	80 K	80 K	80 K	
Locked rotor time	21s (cold) 0s (hot)	21s (cold) 0s (hot)	25s (cold) 0s (hot)	
Noise level <sup>2</sup>	62.0 dB(A)	62.0 dB(A)	68.0 dB(A)	
Efficiency (%)	25%	86.6	84.8	82.8
	50%	86.5	85.3	84.0
	75%	86.4	86.4	85.5
	100%	85.9	86.5	86.5
Power Factor	25%	0.46	0.38	0.40
	50%	0.70	0.61	0.64
	75%	0.81	0.74	0.76
	100%	0.86	0.81	0.83

Losses at normative operating points (speed;torque), in percentage of rated output power

Losses (%)	P1 (0,9;1,0)	15.2	14.4	14.4
	P2 (0,5;1,0)	11.5	11.0	11.0
	P3 (0,25;1,0)	11.0	10.5	10.5
	P4 (0,9;0,5)	8.2	7.8	7.8
	P5 (0,5;0,5)	5.0	4.7	4.7
	P6 (0,5;0,25)	3.5	3.3	3.3
	P7 (0,25;0,25)	2.3	2.1	2.1

	<u>Drive end</u>	<u>Non drive end</u>	Foundation loads
Bearing type :	6205 ZZ	6204 ZZ	Max. traction : 157 lb
Sealing :	V'Ring	V'Ring	Max. compression : 205 lb
Lubrication interval :	-	-	
Lubricant amount :	-	-	
Lubricant type :	Mobil Polyrex EM		

This revision replaces and cancel the previous one, which must be eliminated.  
 (1) Looking the motor from the shaft end.  
 (2) Measured at 1m and with tolerance of +3dB(A).  
 (3) Approximate weight subject to changes after manufacturing process.

These are average values based on tests with sinusoidal power supply, subject to the tolerances stipulated in NEMA MG-1.

Rev.	Changes Summary	Performed	Checked	Date
Performed by			Page 1 / 2	Revision
Checked by				
Date	10/10/2023			

# DATA SHEET

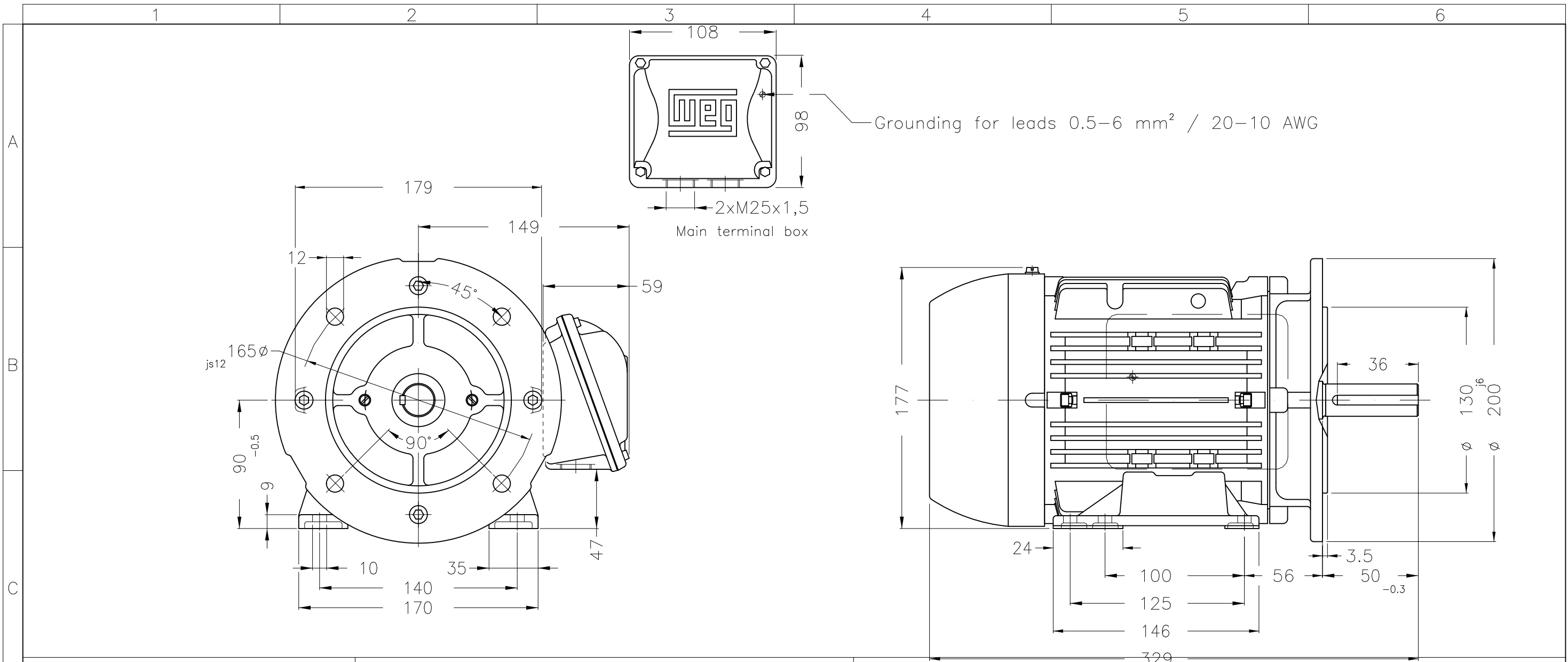


## Three Phase Induction Motor - Squirrel Cage

Customer : \_\_\_\_\_

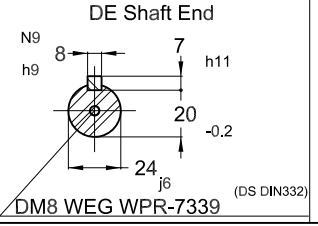
Notes

Rev.	Changes Summary	Performed	Checked	Date
Performed by				
Checked by			Page	Revision
Date	10/10/2023		2 / 2	



3 HP 02 Poles 60 Hz		A	
HYBRISUSER		00	
ECM	LOC	SUMMARY OF MODIFICATIONS	EXECUTED
EXECUTED	HYBRISUSER	THREE PH. MOTOR MULTIMOUNTIN IE3	CHECKED
CHECKED		FRAME 90S/L IP55 TEFC	RELEASED
RELEASED			DATE
REL. DATE	WMO	Jaragua do Sul	Product Engineering

Connection cables connected in the high voltage
Bearing cap
Color RAL 5009
Painting plan 207N
Mounting B35L(E)



HYBRISUSER		00	
ECM	LOC	SUMMARY OF MODIFICATIONS	EXECUTED
EXECUTED	HYBRISUSER	THREE PH. MOTOR MULTIMOUNTIN IE3	CHECKED
CHECKED		FRAME 90S/L IP55 TEFC	RELEASED
RELEASED			DATE
REL. DATE	WMO	Jaragua do Sul	Product Engineering

**PREVIEW**

WDD 00

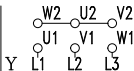
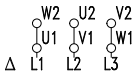
SHEET 1 / 1

**WEG Premium****W21 Tru-metric**

MODEL 00236ET3WAL90LFF-W22

Electric Motor  
Severe DutyClass I, Div 2, Gr A, B, C and D - T3C  
Class II, Zone 2, IIC - T3C  
Class II, Div 2, Gr F - T3C**UK CAEALC**FOR SAFE AREA  
Mod. TE01A0X0\$  
CC029A  
Type ETPH3 Fr. AL90S/L DUTY CONT. IP55 DES N Code L IEC 60034-1  
48lb 1000m.a.s.l. INS cl. F DT 80K AMB 40°C SF 1.25

V		Hz	kW	HP	RPM	A		SFA		PF	IE code	NEMA NOM EFF η 100%/75%/50%
-	460Y	60	2.2	3.0	3480	-	3.85	-	4.81	0.83	IE3	86.5/85.5/84.0
220Δ	380Y	50	2.2	3.0	2840	7.81	4.52	7.81	4.52	0.86	IE3	85.9/86.4/86.5
240Δ	415Y	50	2.2	3.0	2875	7.56	4.37	7.56	4.37	0.81	IE3	86.5/86.4/85.3
-	-	-	-	-	-	-	-	-	-	-	-	-



MOBIL POLYREX EM

MADE IN BRAZIL  
13984021