

DATA SHEET

Three Phase Induction Motor - Squirrel Cage



Customer : GOL PUMP TECHNOLOGY, INC.

Product line : IE3 Premium Efficiency Alumínio Multi Montagem
Tru Metric

Frame	: 112M	Locked rotor time	: 16 s (hot) 29 s (cold)
Output	: 5.5 HP (4 kW)	Temperature rise	: 80 K
Poles	: 2	Duty cycle	: S1
Frequency	: 60 Hz	Ambient temperature	: -20 °C to +40 °C
Rated voltage	: 230/460 V	Altitude	: 3280 ft
Rated current	: 13.3/6.67 A	Protection degree	: IP55
L. R. Amperes	: 127/63.4 A	Cooling method	: IC411 - TEFC
LRC	: 9.5 Code L	Mounting	: B35T
No load current	: 5.80/2.90 A	Rotation ¹	: Both
Rated speed	: 3515 rpm	Noise level ²	: 64.0 dB(A)
Slip	: 2.36 %	Vibration class	: A
Rated torque	: 11.1 Nm	Starting method	: Direct On Line
Locked rotor torque	: 280 %	Coupling	: Direct
Pull up torque	: 235 %	Approx. weight ³	: 90.4 lb
Breakdown torque	: 440 %	Painting plan	: 207N
Insulation class	: F	Color	: RAL 5009
Service factor	: 1.25	Design	: N
Moment of inertia (J)	: 0.1898 sq.ft.lb		

Output	50%	75%	100%	Load type	: -
Efficiency (%)	85.5	87.5	88.5	Load torque	: -
Power Factor	0.67	0.79	0.85	Load inertia (J=GD ² /4)	: -

Bearing type	Drive end	Non drive end	Foundation loads	
	6307-ZZ	6206-ZZ	Max. traction	: 817.0 N
Lubrication interval	-	-	Max. compression	: 1219.2 N
Lubricant amount	-	-		
Lubricant type	MOBIL POLYREX EM			

Notes
See notes on page 2.

This revision replaces and cancel the previous one, which must be eliminated.
(1) Looking the motor from the shaft end.
(2) Measured at 1m and with tolerance of +3dB(A).
(3) Approximate weight, subject to be changed after manufacturing process.
(4) At 100% of full load.

These are average values based on tests with sinusoidal power supply, subject to the tolerances stipulated in IEC 60034-1.

Rev.	Changes Summary		Rev.	Checked	Date
Performed by	johnson		1228351754		
Checked by	AUTOMATICO		Page	Rev.	
Date	30/10/2021		1 / 5	0	

DATA SHEET

Three Phase Induction Motor - Squirrel Cage



Customer : GOL PUMP TECHNOLOGY, INC.

Product line : IE3 Premium Efficiency Alumínio Multi Montagem
Tru Metric

Thermal protection

ID	Application	Type	Quantity	Sensing Temperature
1	Winding	Thermistor - 2 wires	1 x Phase	155°C

Notes

Standards	Specification	: MG1 - Part 10	Vibration	: MG1 - Part 7
	Test	: MG1 - Part 12	Tolerance	: MG1 - Part 12
	Noise	: MG1 - Part 9		

This revision replaces and cancel the previous one, which must be eliminated.
(1) Looking the motor from the shaft end.
(2) Measured at 1m and with tolerance of +3dB(A).
(3) Approximate weight, subject to be changed after manufacturing process.
(4) At 100% of full load.

These are average values based on tests with sinusoidal power supply, subject to the tolerances stipulated in IEC 60034-1.

Rev.	Changes Summary	Rev.	Checked	Date
Performed by	johnson			1228351754
Checked by	AUTOMATICO	Page	Rev.	
Date	30/10/2021	2 / 5	0	

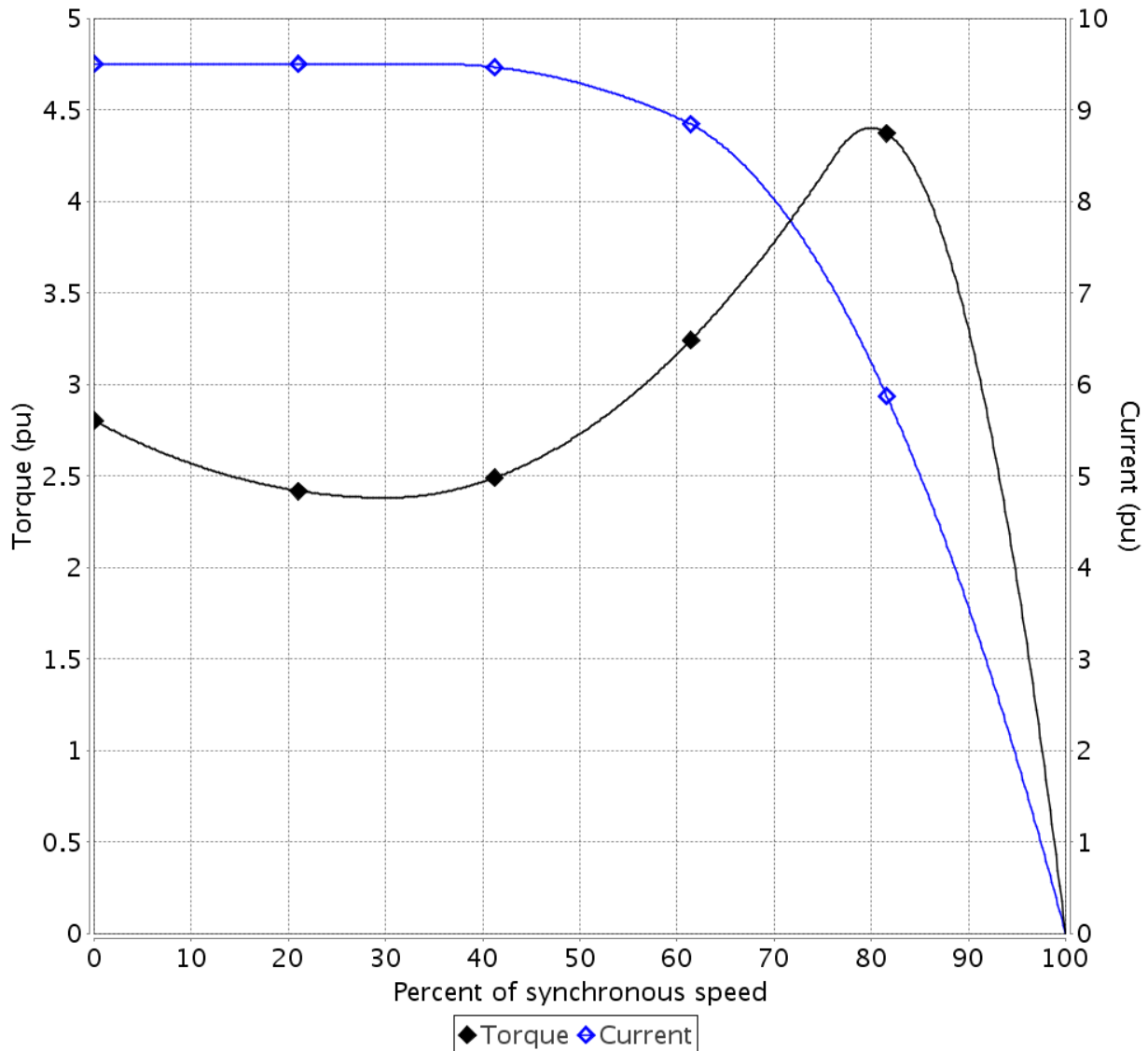
TORQUE AND CURRENT VS SPEED CURVE

Three Phase Induction Motor - Squirrel Cage



Customer : GOL PUMP TECHNOLOGY, INC.

Product line : IE3 Premium Efficiency Alumínio Multi Montagem
Tru Metric



Performance : 5.5 HP (4 kW) 230/460 V 60 Hz 2P 112M

Rated current	: 13.3/6.67 A	Moment of inertia (J)	: 0.1898 sq.ft.lb
LRC	: 9.5 Code L	Duty cycle	: S1
Rated torque	: 11.1 Nm	Insulation class	: F
Locked rotor torque	: 280 %	Service factor	: 1.25
Breakdown torque	: 440 %	Temperature rise	: 80 K
Rated speed	: 3515 rpm	Design	: N

Locked rotor time 100% : 16 s (hot) 29 s (cold)

Load inertia (J=GD²/4) : 0.1898 sq.ft.lb

Rev.	Changes Summary	Rev.	Checked	Date
Performed by	johnson	1228351754 Page 3 / 5 Rev. 0		
Checked by	AUTOMATICO			
Date	30/10/2021			

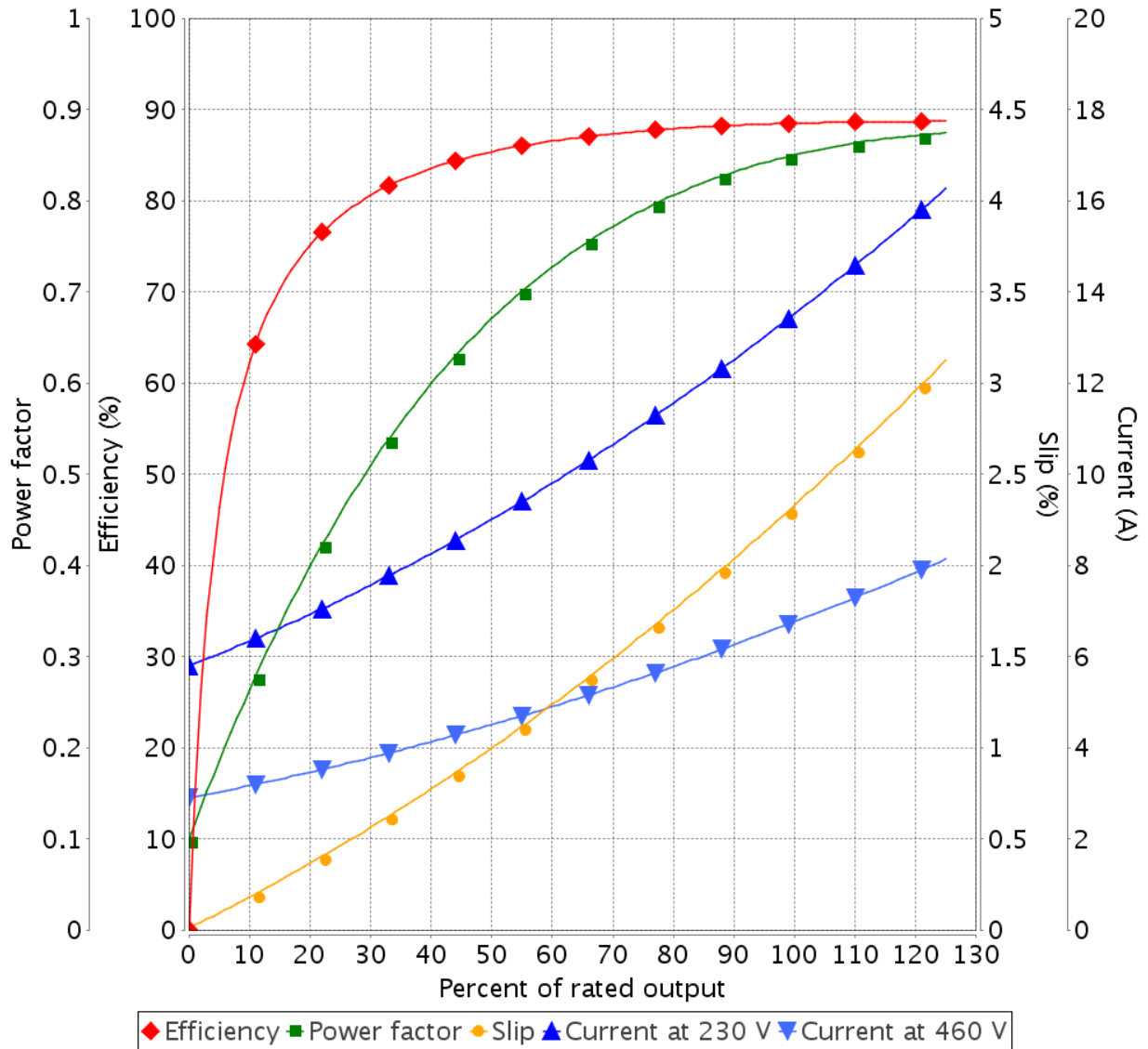
LOAD PERFORMANCE CURVE

Three Phase Induction Motor - Squirrel Cage



Customer : GOL PUMP TECHNOLOGY, INC.

Product line : IE3 Premium Efficiency Alumínio Multi Montagem
Tru Metric



Performance : 5.5 HP (4 kW) 230/460 V 60 Hz 2P 112M

Rated current : 13.3/6.67 A	Moment of inertia (J) : 0.1898 sq.ft.lb
LRC : 9.5 Code L	Duty cycle : S1
Rated torque : 11.1 Nm	Insulation class : F
Locked rotor torque : 280 %	Service factor : 1.25
Breakdown torque : 440 %	Temperature rise : 80 K
Rated speed : 3515 rpm	Design : N

Rev.	Changes Summary	Rev.	Checked	Date
Performed by	johnson		Page	Rev.
Checked by			4 / 5	0
Date	30/10/2021			

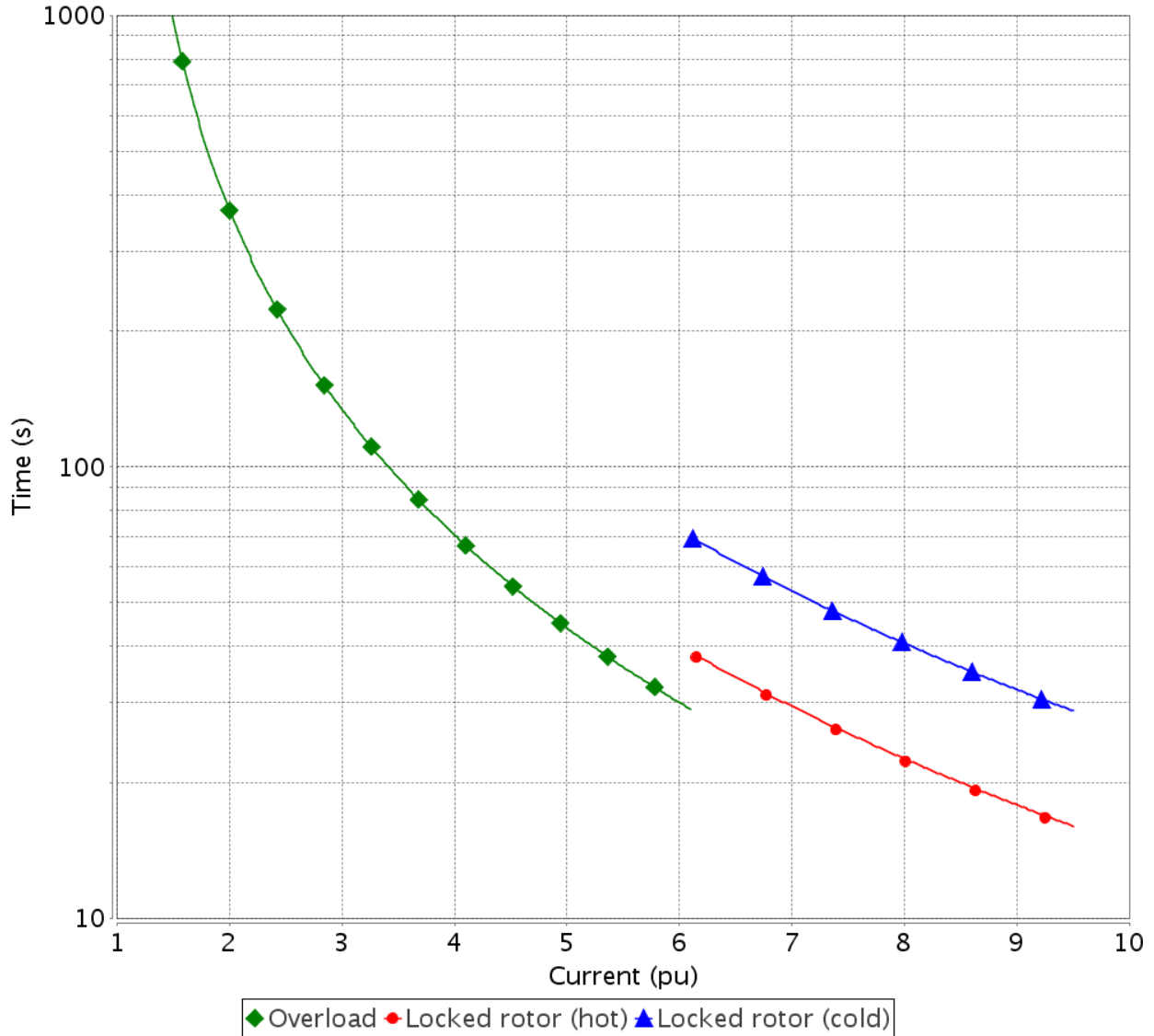
THERMAL LIMIT CURVE

Three Phase Induction Motor - Squirrel Cage



Customer : GOL PUMP TECHNOLOGY, INC.

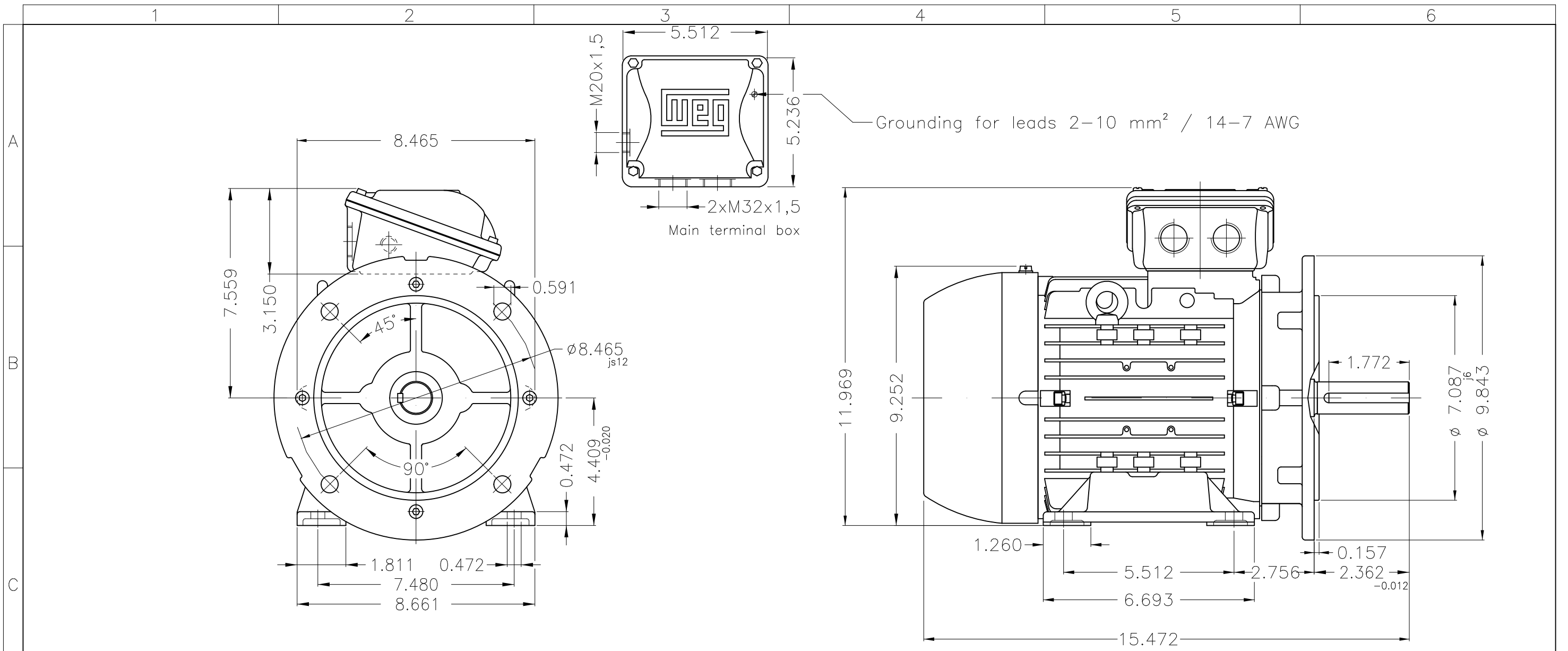
Product line : IE3 Premium Efficiency Alumínio Multi Montagem
Tru Metric



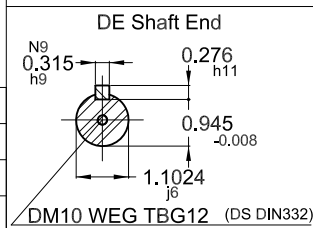
Performance : 5.5 HP (4 kW) 230/460 V 60 Hz 2P 112M

Rated current	: 13.3/6.67 A	Moment of inertia (J)	: 0.1898 sq.ft.lb
LRC	: 9.5 Code L	Duty cycle	: S1
Rated torque	: 11.1 Nm	Insulation class	: F
Locked rotor torque	: 280 %	Service factor	: 1.25
Breakdown torque	: 440 %	Temperature rise	: 80 K
Rated speed	: 3515 rpm	Design	: N
Heating constant	: 17.9 min		
Cooling constant	: 53.7 min		

Rev.	Changes Summary		Rev.	Checked	Date
Performed by	johnson				
Checked by				Page	Rev.
Date	30/10/2021			5 / 5	0



Thermal protection to switch off - thermistors 155°C
 Color RAL 5009
 Painting plan 207N
 Mounting B35T



5.5 HP 02 Poles 60 Hz A

GOL PUMP TECHNOLOGY, INC.

ECM	LOC	SUMMARY OF MODIFICATIONS	EXECUTED	CHECKED	RELEASED	DATE	VER
EXECUTED	PIRWBUSER	THREE PHASE MOTOR TRU-METRIC P. EFF AL					
CHECKED		FRAME 112M IP55 TEFC					
RELEASED							
REL DT.	WMO	Jaragua do Sul	Product Engineering	SHEET	1 / 1		

PREVIEW
 WDD

