

DATA SHEET

Three Phase Induction Motor - Squirrel Cage



Customer : GOL PUMP TECHNOLOGY, INC.

Product line : W22 - IE3 Premium Efficiency

Frame	: 250S/M	Locked rotor time	: 11 s (hot) 20 s (cold)
Output	: 55 kW	Temperature rise	: 80 K
Poles	: 2	Duty cycle	: S1
Frequency	: 60 Hz	Ambient temperature	: -20 °C to +40 °C
Rated voltage	: 230/460 V	Altitude	: 3280 ft
Rated current	: 170/85.2 A	Protection degree	: IP55
L. R. Amperes	: 1449/724 A	Cooling method	: IC411 - TEFC
LRC	: 8.5	Mounting	: B35T
No load current	: 65.0/32.5 A	Rotation ¹	: Both
Rated speed	: 3567 rpm	Noise level ²	: 79.0 dB(A)
Slip	: 0.92 %	Vibration class	: A
Rated torque	: 147 Nm	Starting method	: Direct On Line
Locked rotor torque	: 310 %	Coupling	: Direct
Pull up torque	: 200 %	Approx. weight ³	: 997 lb
Breakdown torque	: 380 %	Painting plan	: 203A
Insulation class	: F	Color	: RAL 5009
Service factor	: 1.25	Design	: N
Moment of inertia (J)	: 9.23 sq.ft.lb		
Output	50% 75% 100%	Load type	: -
Efficiency (%)	92.6 93.8 94.2	Load torque	: -
Power Factor	0.73 0.82 0.86	Load inertia (J=GD ² /4)	: -
Bearing type	Drive end Non drive end 6314-C3 6314-C3	Foundation loads	
Lubrication interval	4000 h 4000 h	Max. traction	: 3298.7 N
Lubricant amount	27 g 27 g	Max. compression	: 7732.9 N
Lubricant type	MOBIL POLYREX EM		

Notes
See notes on page 2.

This revision replaces and cancel the previous one, which must be eliminated.
(1) Looking the motor from the shaft end.
(2) Measured at 1m and with tolerance of +3dB(A).
(3) Approximate weight, subject to be changed after manufacturing process.
(4) At 100% of full load.

These are average values based on tests with sinusoidal power supply, subject to the tolerances stipulated in IEC 60034-1.

Rev.	Changes Summary	Rev.	Checked	Date
Performed by	johnson	1228355812 Page Rev. 1 / 5 2		
Checked by	AUTOMATICO			
Date	12/11/2021			

DATA SHEET

Three Phase Induction Motor - Squirrel Cage



Customer : GOL PUMP TECHNOLOGY, INC.

Product line : W22 - IE3 Premium Efficiency

Thermal protection

ID	Application	Type	Quantity	Sensing Temperature
1	Winding	Thermistor - 2 wires	1 x Phase	155°C

Notes

Standards	Specification	: IEC 60034-1	Vibration	: IEC 60034-14
	Test	: IEC 60034-2	Tolerance	: IEC 60034-1
	Noise	: IEC 60034-9		

This revision replaces and cancel the previous one, which must be eliminated.
(1) Looking the motor from the shaft end.
(2) Measured at 1m and with tolerance of +3dB(A).
(3) Approximate weight, subject to be changed after manufacturing process.
(4) At 100% of full load.

These are average values based on tests with sinusoidal power supply, subject to the tolerances stipulated in IEC 60034-1.

Rev.	Changes Summary	Rev.	Checked	Date
Performed by	johnson			1228355812
Checked by	AUTOMATICO	Page	Rev.	
Date	12/11/2021	2 / 5	2	

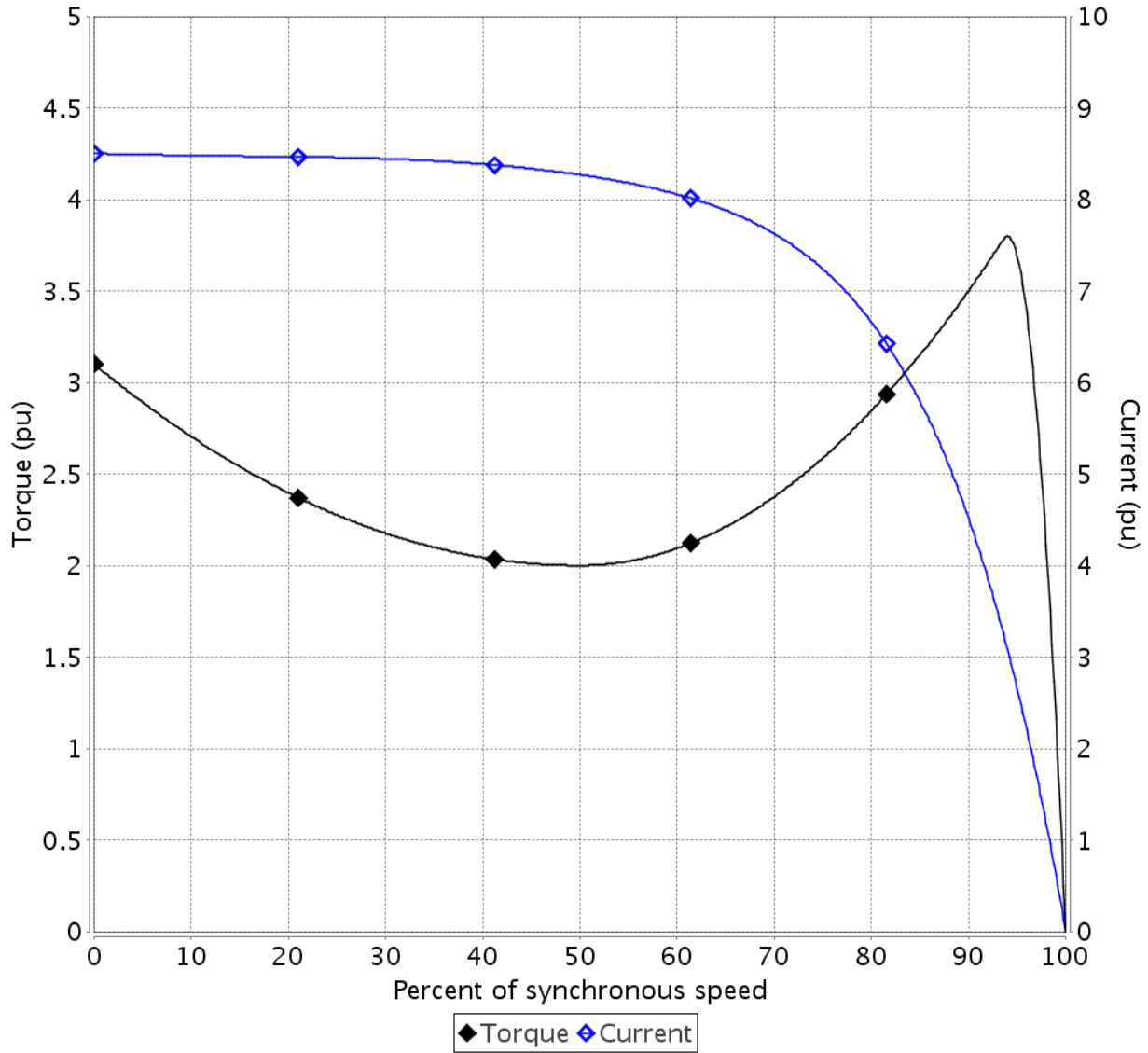
TORQUE AND CURRENT VS SPEED CURVE

Three Phase Induction Motor - Squirrel Cage



Customer : GOL PUMP TECHNOLOGY, INC.

Product line : W22 - IE3 Premium Efficiency



Performance : 55 kW 230/460 V 60 Hz 2P 250S/M

Rated current	: 170/85.2 A	Moment of inertia (J)	: 9.23 sq.ft.lb
LRC	: 8.5	Duty cycle	: S1
Rated torque	: 147 Nm	Insulation class	: F
Locked rotor torque	: 310 %	Service factor	: 1.25
Breakdown torque	: 380 %	Temperature rise	: 80 K
Rated speed	: 3567 rpm	Design	: N

Locked rotor time 100% : 11 s (hot) 20 s (cold)

Load inertia (J=GD²/4) : 9.23 sq.ft.lb

Rev.	Changes Summary	Rev.	Checked	Date
Performed by	johnson	1228355812 Page 3 / 5 Rev. 2		
Checked by	AUTOMATICO			
Date	12/11/2021			

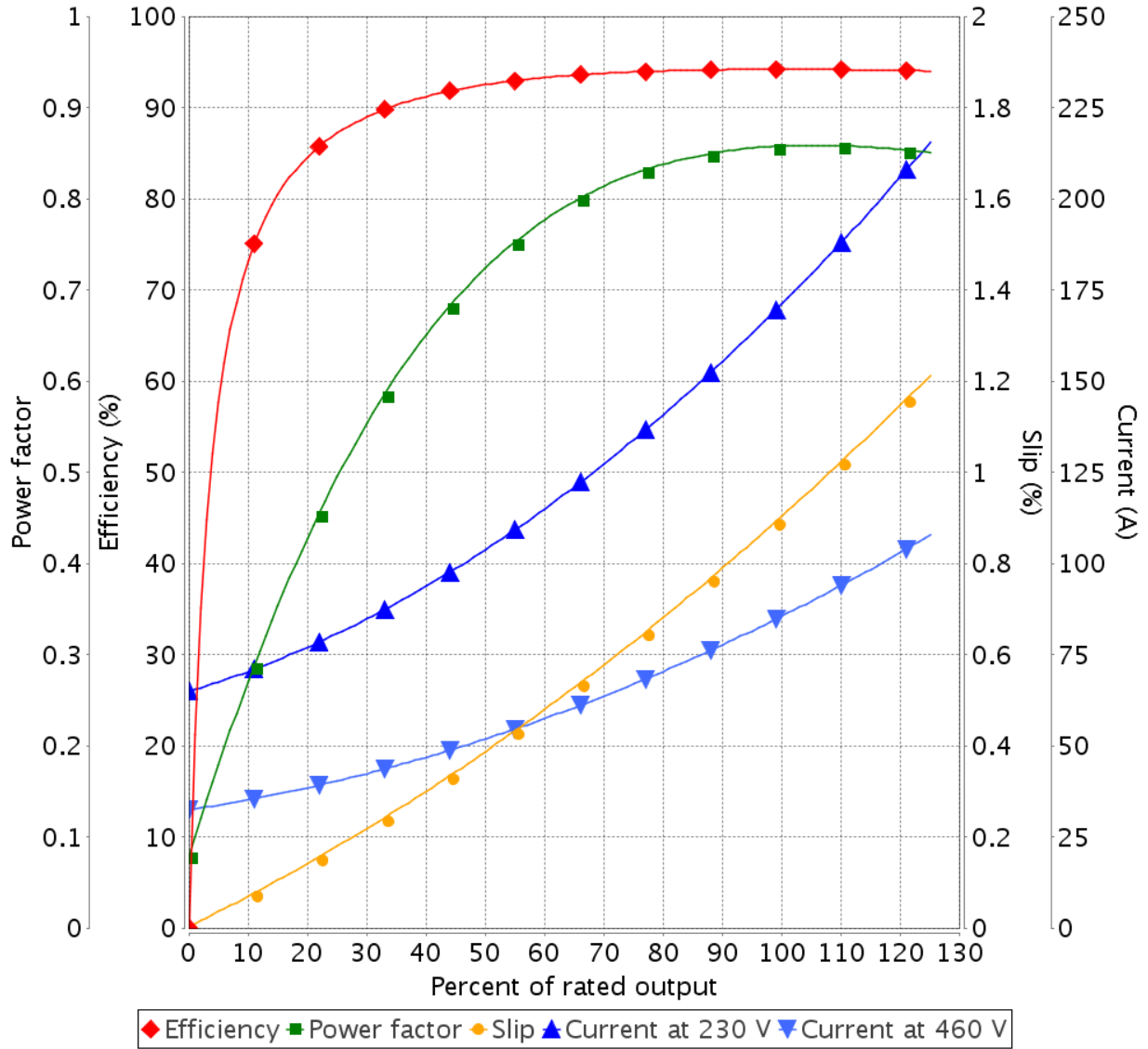
LOAD PERFORMANCE CURVE

Three Phase Induction Motor - Squirrel Cage



Customer : GOL PUMP TECHNOLOGY, INC.

Product line : W22 - IE3 Premium Efficiency



Performance : 55 kW 230/460 V 60 Hz 2P 250S/M

Rated current	: 170/85.2 A	Moment of inertia (J)	: 9.23 sq.ft.lb
LRC	: 8.5	Duty cycle	: S1
Rated torque	: 147 Nm	Insulation class	: F
Locked rotor torque	: 310 %	Service factor	: 1.25
Breakdown torque	: 380 %	Temperature rise	: 80 K
Rated speed	: 3567 rpm	Design	: N

Rev.	Changes Summary	Rev.	Checked	Date
Performed by	johnson	1228355812		
Checked by		Page	Rev.	
Date	12/11/2021	4 / 5	2	

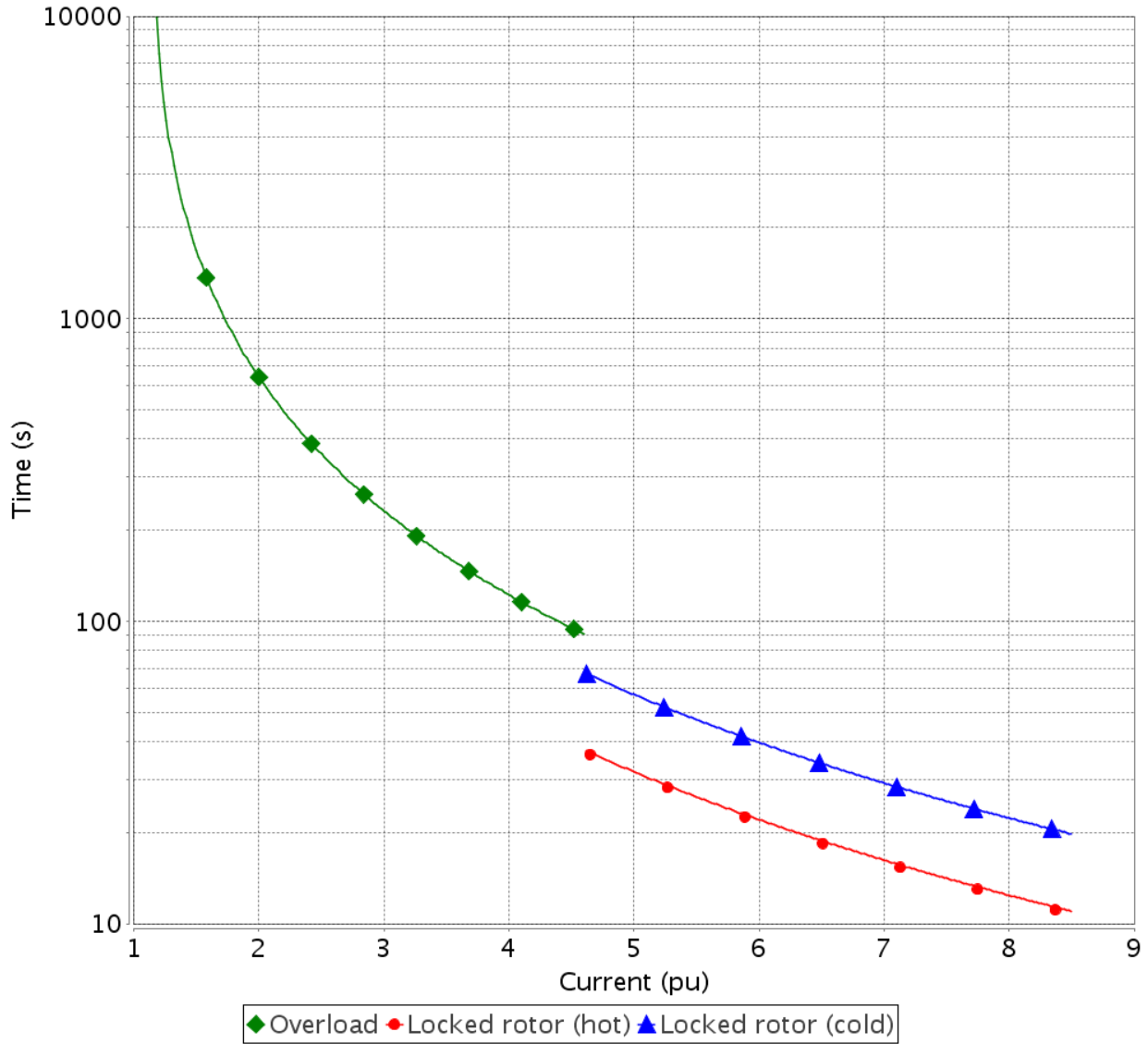
THERMAL LIMIT CURVE

Three Phase Induction Motor - Squirrel Cage



Customer : GOL PUMP TECHNOLOGY, INC.

Product line : W22 - IE3 Premium Efficiency

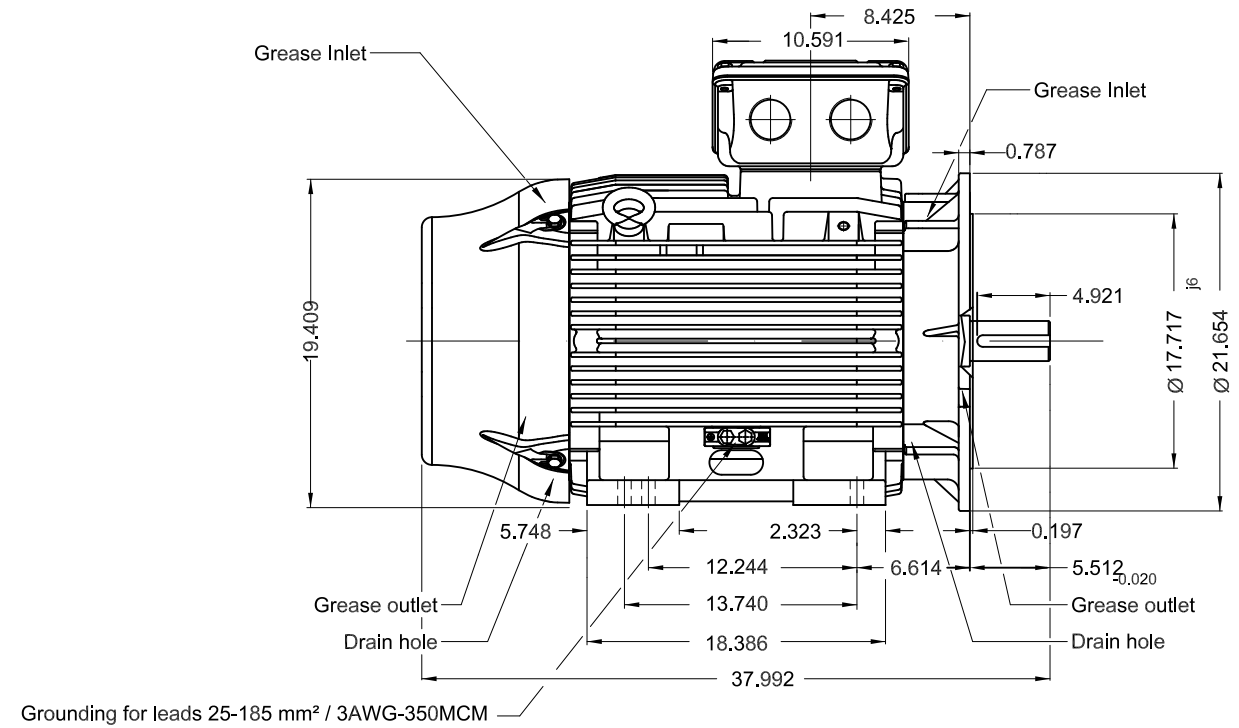
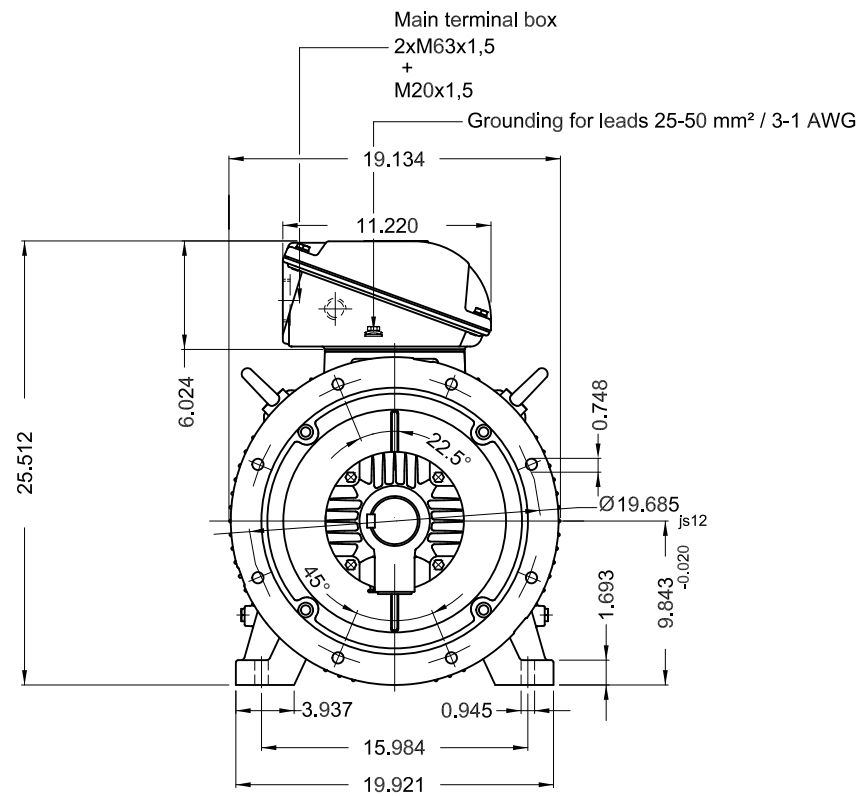


Performance : 55 kW 230/460 V 60 Hz 2P 250S/M

Rated current	: 170/85.2 A	Moment of inertia (J)	: 9.23 sq.ft.lb
LRC	: 8.5	Duty cycle	: S1
Rated torque	: 147 Nm	Insulation class	: F
Locked rotor torque	: 310 %	Service factor	: 1.25
Breakdown torque	: 380 %	Temperature rise	: 80 K
Rated speed	: 3567 rpm	Design	: N

Heating constant : 31.0 min
Cooling constant : 93.0 min

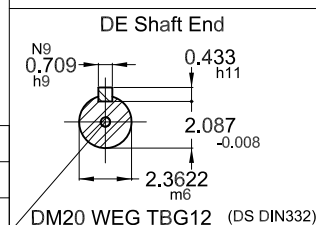
Rev.	Changes Summary		Rev.	Checked	Date
Performed by	johnson		1228355812		
Checked by			Page	Rev.	
Date	12/11/2021		5 / 5	2	



55 kW 02 Poles 60 Hz

GOL PUMP TECHNOLOGY, INC.

ECM	LOC	SUMMARY OF MODIFICATIONS	EXECUTED	CHECKED	RELEASED	DATE	VER
EXECUTED	PIRWUSER	THREE PH. MOTOR W22 IE3					
CHECKED		FRAME 250S/M IP55 TEFC					
RELEASED							
REL DT.	WMO	Jaragua do Sul	Product Engineering	SHEET	1 / 1		



Color RAL 5009
 Painting plan 203A
 Mounting B35T

Dimensions in inches

XME A3