



# Technical Data

## Vertical Multistage - SBI 1-13

Revision no.

Page:  
1

Receiver

From

Company name  
Respons. Department  
Person in charge  
Phone number  
Fax no  
E-mail address

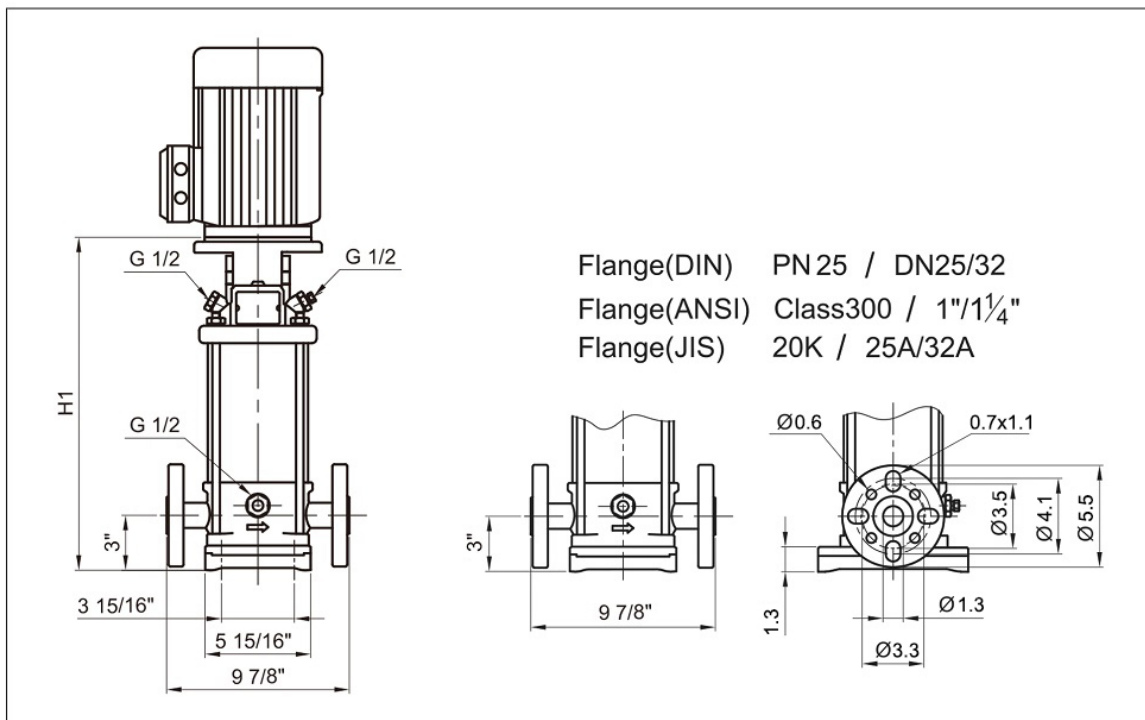
|  |  |
|--|--|
|  |  |
|--|--|



**Brand: Gol Pumps**  
**Model: SBI 1-13**



### Dimensions:



| Pump Installation Size (inch) |      |           |       |    |     |            |
|-------------------------------|------|-----------|-------|----|-----|------------|
| DIN Flange                    |      | Port Size |       | D1 | D2  | Net Weight |
| H1                            | H2   | DNA       | DNM   |    |     | Lb.        |
| 18.4                          | 29.8 | 1 1/4     | 1 1/4 | 7  | 5.6 | 73         |

|         |            |            |            |             |
|---------|------------|------------|------------|-------------|
| Project | Project ID | Created by | Created on | Last update |
|---------|------------|------------|------------|-------------|



# Performance Curves

## Vertical Multistage - SBI 1-13

Revision no.

Page:  
2

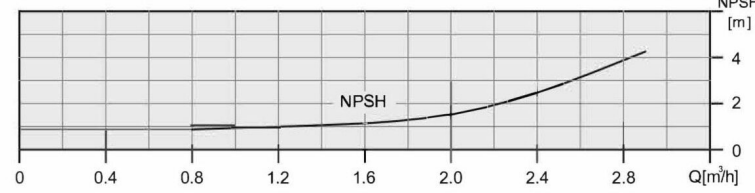
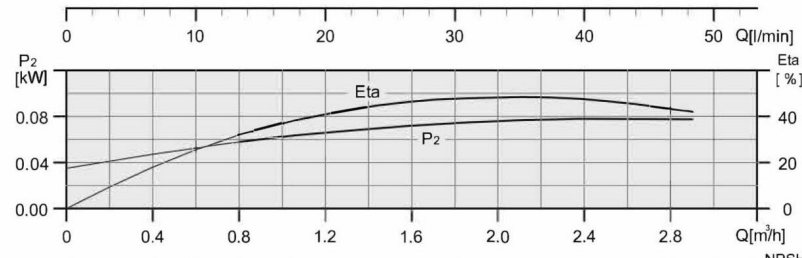
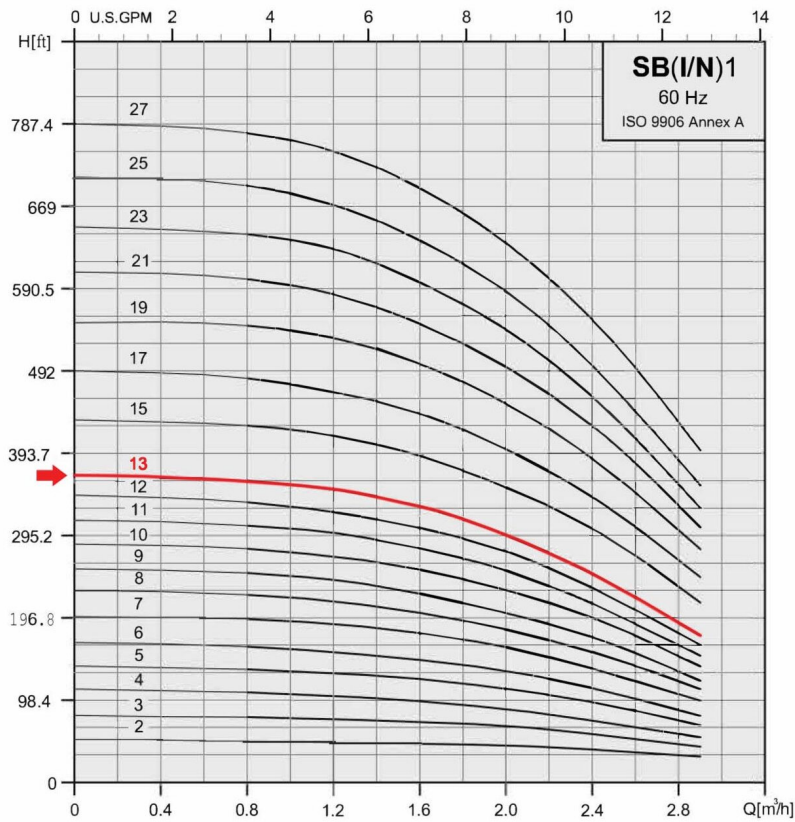
Receiver

From

Company name  
Respons. Department  
Person in charge  
Phone number  
Fax no  
E-mail address

|  |  |
|--|--|
|  |  |
|  |  |
|  |  |
|  |  |
|  |  |
|  |  |

| Model           | Port Size (in.) |       | Flow | HP  | Volts   | Amps    | Phase | Max. Head | Max. Suction | Max. PSI |
|-----------------|-----------------|-------|------|-----|---------|---------|-------|-----------|--------------|----------|
|                 | DNA             | DNM   | GPH  |     | V       | I Max.  | Ph    | Ft.       | Ft.          |          |
| <b>SBI 1-13</b> | 1 1/4           | 1 1/4 | 780  | 1.5 | 220/460 | 4.5/2.4 | Three | 365       | 17           | 162      |



|         |            |            |            |             |
|---------|------------|------------|------------|-------------|
| Project | Project ID | Created by | Created on | Last update |
|---------|------------|------------|------------|-------------|



# Parts and Materials

## Vertical Multistage - SBI 1-13

Revision no.

Page:

3

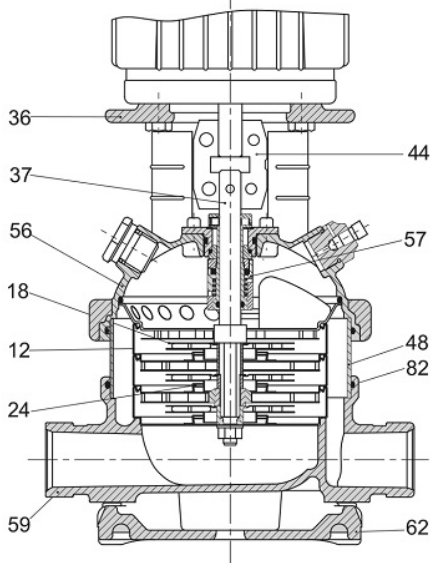
Receiver

From

 Company name  
 Respons. Department  
 Person in charge  
 Phone number  
 Fax no  
 E-mail address

|  |
|--|
|  |
|  |
|  |
|  |
|  |

|  |
|--|
|  |
|  |
|  |
|  |
|  |



| Parts List                 | Material        | Standard      |
|----------------------------|-----------------|---------------|
| 36 Pump Head               | Cast Iron       | ASTM 65-45-12 |
| 56 Pump Head Cover         | Stainless Steel | AISI 304      |
| 18 Impeller                | Stainless Steel | AISI 304      |
| 37 Shaft                   | Stainless Steel | AISI 304      |
| 48 Outer Sleeve            | Stainless Steel | AISI 304      |
| 82 O-ring for Outer Sleeve | EPDM            |               |
| 12 Chamber                 | Stainless Steel | AISI 304      |
| 24 Neck Ring               | PTFE            |               |
| 59 Base                    | Cast Iron       |               |
| 62 Base Plate              | Cast Iron       | ASTM 25B      |
| 44 Coupling                | Fe-Cu-C         | MPIF FC0525   |
| 57 Mechanical Seal         | Cartridge Type  |               |

Project

Project ID

Created by

Created on

Last update