



# Technical Data

## Vertical Multistage - SBI 1-6

Revision no.

Page:  
 1

Receiver

From

Company name  
 Respons. Department  
 Person in charge  
 Phone number  
 Fax no  
 E-mail address

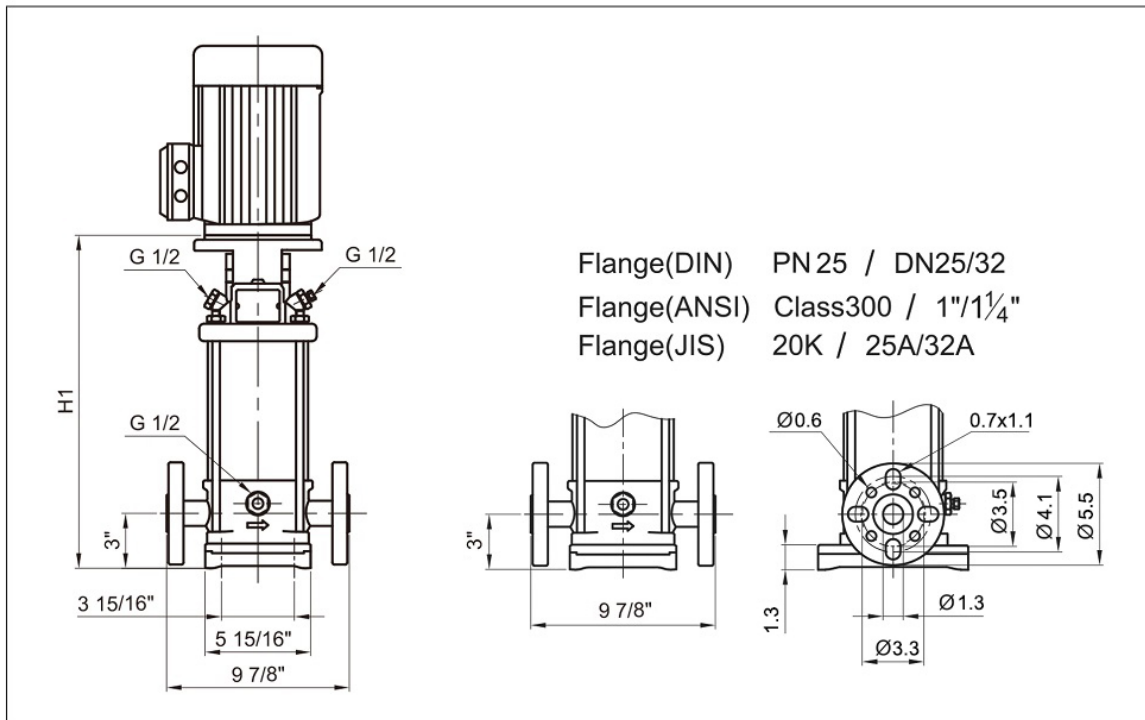




**Brand: Gol Pumps**  
**Model: SBI 1-6**



### Dimensions:



Pump Installation Size (inch)						
DIN Flange		Port Size		D1	D2	Net Weight
H1	H2	DNA	DNM			Lb.
13.2	20.9	1 1/4	1 1/4	5.6	4.5	48.2

Project	Project ID	Created by	Created on	Last update
---------	------------	------------	------------	-------------



# Performance Curves

## Vertical Multistage - SBI 1-6

Revision no.

Page:  
2

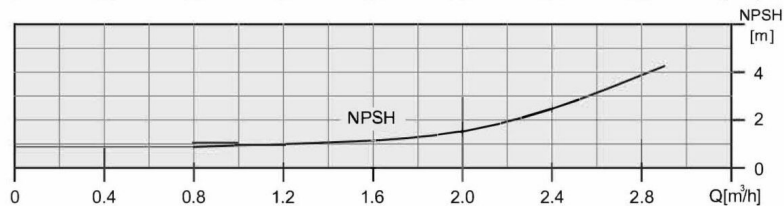
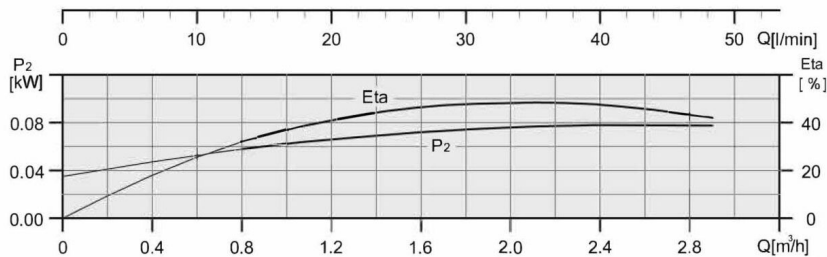
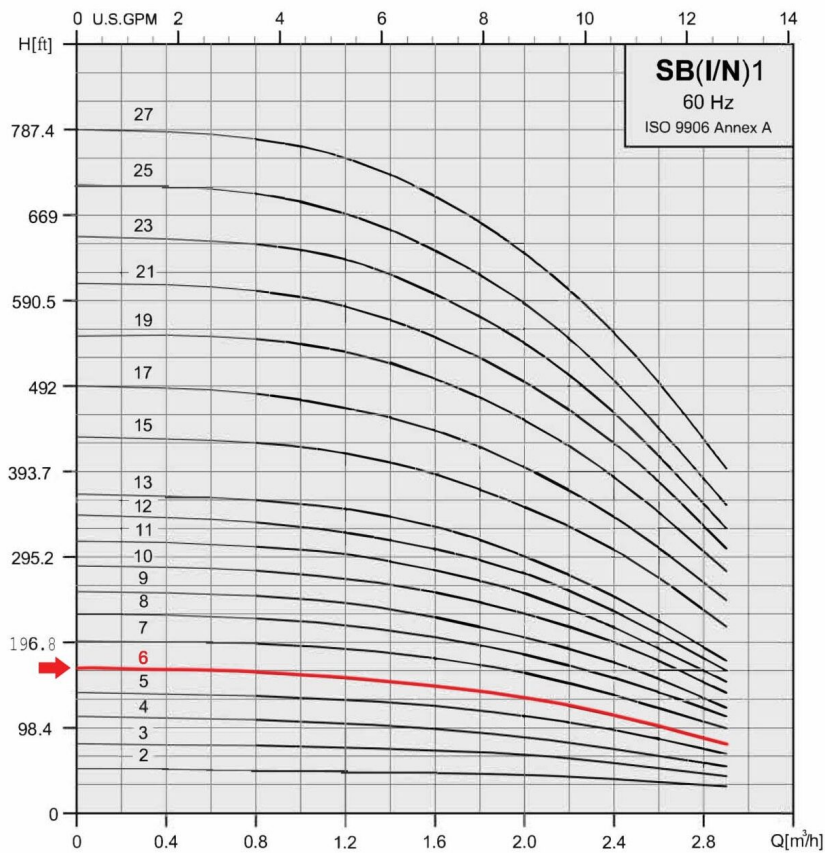
Receiver

From

Company name  
Respons. Department  
Person in charge  
Phone number  
Fax no  
E-mail address



Model	Port Size (in.)		Flow	HP	Volts	Amps	Phase	Max. Head	Max. Suction	Max. PSI
	DNA	DNM	GPH		V	I Max.	Ph	Ft.	Ft.	
SBI 1-6	1 1/4	1 1/4	780	0.75	220/440	2.4/1.4	Three	165	17	74



Project	Project ID	Created by	Created on	Last update
---------	------------	------------	------------	-------------



# Parts and Materials

## Vertical Multistage - SBI 1-6

Revision no.

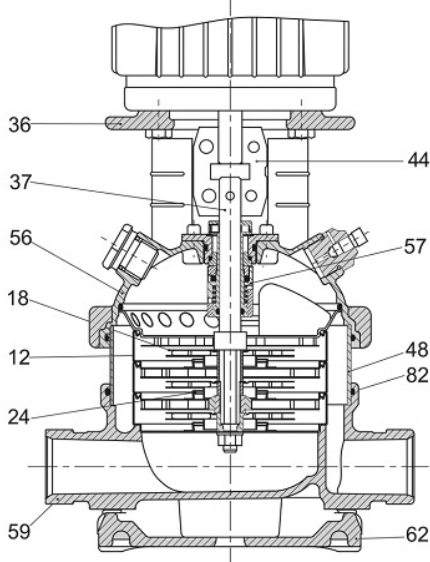
Page:  
 3

Receiver

From

Company name  
 Respons. Department  
 Person in charge  
 Phone number  
 Fax no  
 E-mail address





Parts List	Material	Standard
36 Pump Head	Cast Iron	ASTM 65-45-12
56 Pump Head Cover	Stainless Steel	AISI 304
18 Impeller	Stainless Steel	AISI 304
37 Shaft	Stainless Steel	AISI 304
48 Outer Sleeve	Stainless Steel	AISI 304
82 O-ring for Outer Sleeve	EPDM	
12 Chamber	Stainless Steel	AISI 304
24 Neck Ring	PTFE	
59 Base	Cast Iron	
62 Base Plate	Cast Iron	ASTM 25B
44 Coupling	Fe-Cu-C	MPIF FC0525
57 Mechanical Seal	Cartridge Type	

Project	Project ID	Created by	Created on	Last update
---------	------------	------------	------------	-------------