



Technical Data

Vertical Multistage - SBI 10-12

Revision no.

Page:
1

Receiver

From

Company name
Respons. Department
Person in charge
Phone number
Fax no
E-mail address

| |
|--|
| |
| |
| |
| |
| |

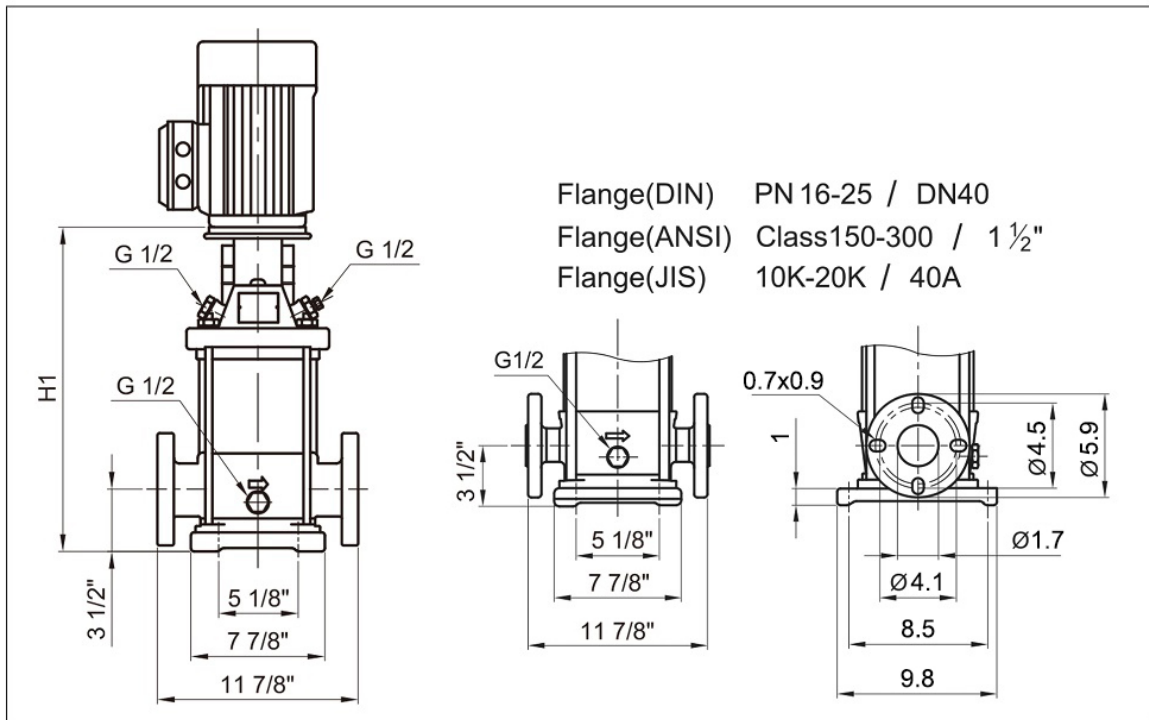
| |
|--|
| |
| |
| |
| |
| |



Brand: Gol Pumps
Model: SBI 10-12



Dimensions:



| Pump Installation Size (inch) | | | | | | |
|-------------------------------|------|-----------|-------|-----|-----|------------|
| DIN Flange | | Port Size | | D1 | D2 | Net Weight |
| H1 | H2 | DNA | DNM | | | Lb. |
| 28 | 43.9 | 1 1/2 | 1 1/2 | 9.3 | 7.8 | 228 |

Project

Project ID

Created by

Created on

Last update



Performance Curves

Vertical Multistage - SBI 10-12

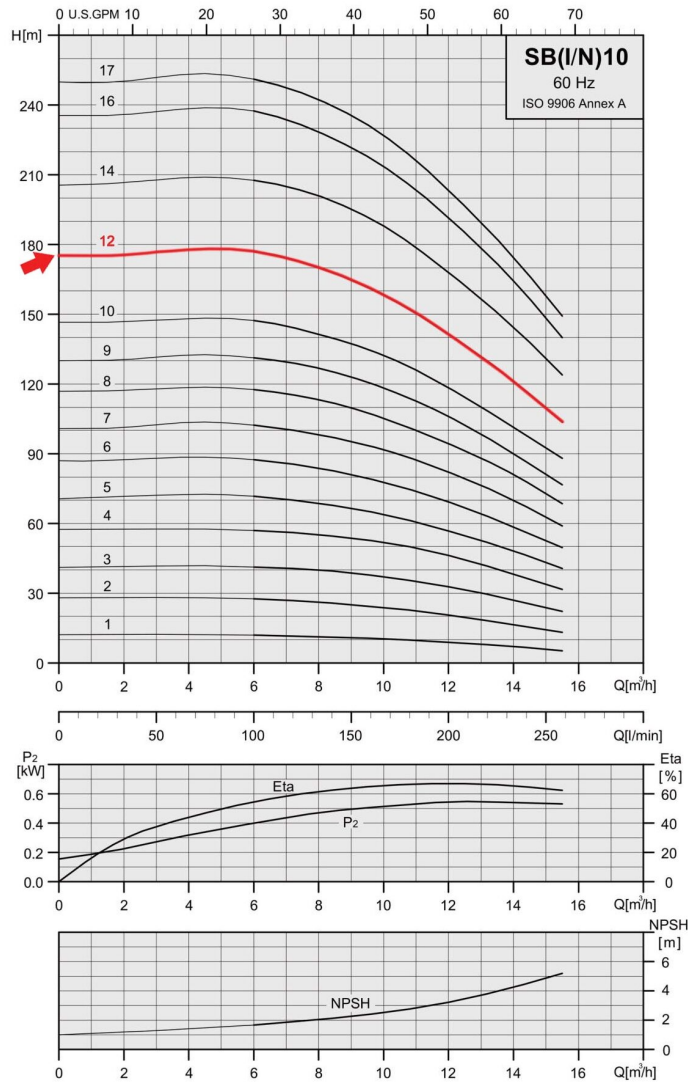
Revision no. _____

Page: 2

| Receiver | From |
|----------|------|
| | |
| | |
| | |
| | |
| | |
| | |

Company name
 Respons. Department
 Person in charge
 Phone number
 Fax no
 E-mail address

| Model | Port Size (in.) | | Flow | HP | Volts | Amps | Phase | Max. Head | Max. Suction | Max. PSI |
|------------------|-----------------|-------|------|----|---------|-----------|-------|-----------|--------------|----------|
| | DNA | DNM | GPH | | V | I Max. | Ph | Ft. | Ft. | |
| SBI 10-12 | 1 1/2 | 1 1/2 | 4080 | 10 | 220/480 | 24.7/12.5 | Three | 584 | 17 | 258 |



| | | | | |
|---------|------------|------------|------------|-------------|
| Project | Project ID | Created by | Created on | Last update |
|---------|------------|------------|------------|-------------|



Parts and Materials

Vertical Multistage - SBI 10-12

Revision no.

Page:
 3

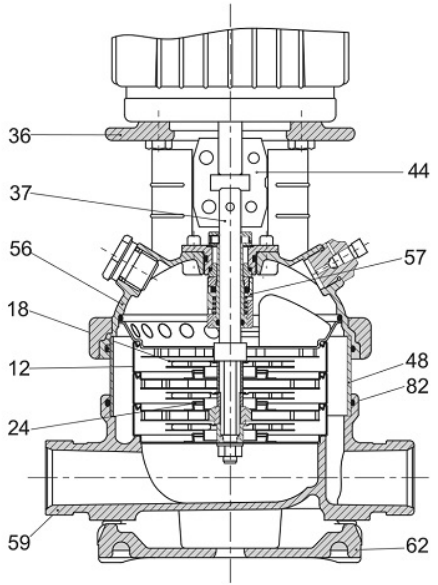
Receiver

From

Company name
 Respons. Department
 Person in charge
 Phone number
 Fax no
 E-mail address

| |
|--|
| |
| |
| |
| |
| |

| |
|--|
| |
| |
| |
| |
| |



| Parts List | Material | Standard |
|----------------------------|-----------------|---------------|
| 36 Pump Head | Cast Iron | ASTM 65-45-12 |
| 56 Pump Head Cover | Stainless Steel | AISI 304 |
| 18 Impeller | Stainless Steel | AISI 304 |
| 37 Shaft | Stainless Steel | AISI 304 |
| 48 Outer Sleeve | Stainless Steel | AISI 304 |
| 82 O-ring for Outer Sleeve | EPDM | |
| 12 Chamber | Stainless Steel | AISI 304 |
| 24 Neck Ring | PTFE | |
| 59 Base | Cast Iron | |
| 62 Base Plate | Cast Iron | ASTM 25B |
| 44 Coupling | Fe-Cu-C | MPIF FC0525 |
| 57 Mechanical Seal | Cartridge Type | |

| | | | | |
|---------|------------|------------|------------|-------------|
| Project | Project ID | Created by | Created on | Last update |
|---------|------------|------------|------------|-------------|