

DATA SHEET



Three Phase Induction Motor - Squirrel Cage

Customer :					
Product line : W21 Explosion Proof NEMA Premium Efficiency Three-Phase		Product code : 14406886			
		Catalog # : 02036XT3E256T			
Frame : 256T	Insulation class : F	Cooling method : IC411 - TEFC	Mounting : F-1		
Duty cycle : Cont.(S1)	Ambient temperature : -20°C to +40°C	Rotation ¹ : Both (CW and CCW)	Starting method : Direct On Line		
Altitude : 1000 m.a.s.l.	Protection degree : IP55	Approx. weight ³ : 360 lb	Moment of inertia (J) : 1.45 sq.ft.lb		
Design : B					
Output [HP]	20		20		
Poles	2		2		
Frequency [Hz]	60		50		
Rated voltage [V]	230/460		380		
Rated current [A]	46.4/23.2		27.8		
L. R. Amperes [A]	288/144		136		
LRC [A]	6.2x(Code G)		4.9x(Code D)		
No load current [A]	13.4/6.70		6.40		
Rated speed [RPM]	3530		2900		
Slip [%]	1.94		3.33		
Rated torque [ft.lb]	29.8		36.2		
Locked rotor torque [%]	200		140		
Breakdown torque [%]	250		190		
Service factor	1.15		1.00		
Temperature rise	80 K		80 K		
Locked rotor time	46s (cold) 26s (hot)		30s (cold) 17s (hot)		
Noise level ²	75.0 dB(A)		70.0 dB(A)		
Efficiency (%)	25%	90.0	89.9		
	50%	90.2	90.2		
	75%	91.0	91.0		
	100%	91.0	91.0		
Power Factor	25%	0.55	0.61		
	50%	0.79	0.83		
	75%	0.86	0.88		
	100%	0.89	0.90		
Bearing type : 6309 C3	Drive end	Non drive end	Foundation loads		
Sealing : Oil Seal		Lip Seal	Max. traction : 217 lb		
Lubrication interval : 15797 h		18447 h	Max. compression : 576 lb		
Lubricant amount : 13 g		9 g			
Lubricant type : Mobil Polyrex EM					
Notes USABLE @208V 50.6A SF 1.10 SFA 55.6A					
This revision replaces and cancel the previous one, which must be eliminated. (1) Looking the motor from the shaft end. (2) Measured at 1m and with tolerance of +3dB(A). (3) Approximate weight subject to changes after manufacturing process. (4) At 100% of full load.			These are average values based on tests with sinusoidal power supply, subject to the tolerances stipulated in NEMA MG-1.		
Rev.	Changes Summary		Performed	Checked	Date
Performed by					
Checked by				Page	Revision
Date	12/10/2023			1 / 2	

DATA SHEET



Three Phase Induction Motor - Squirrel Cage

Customer : _____

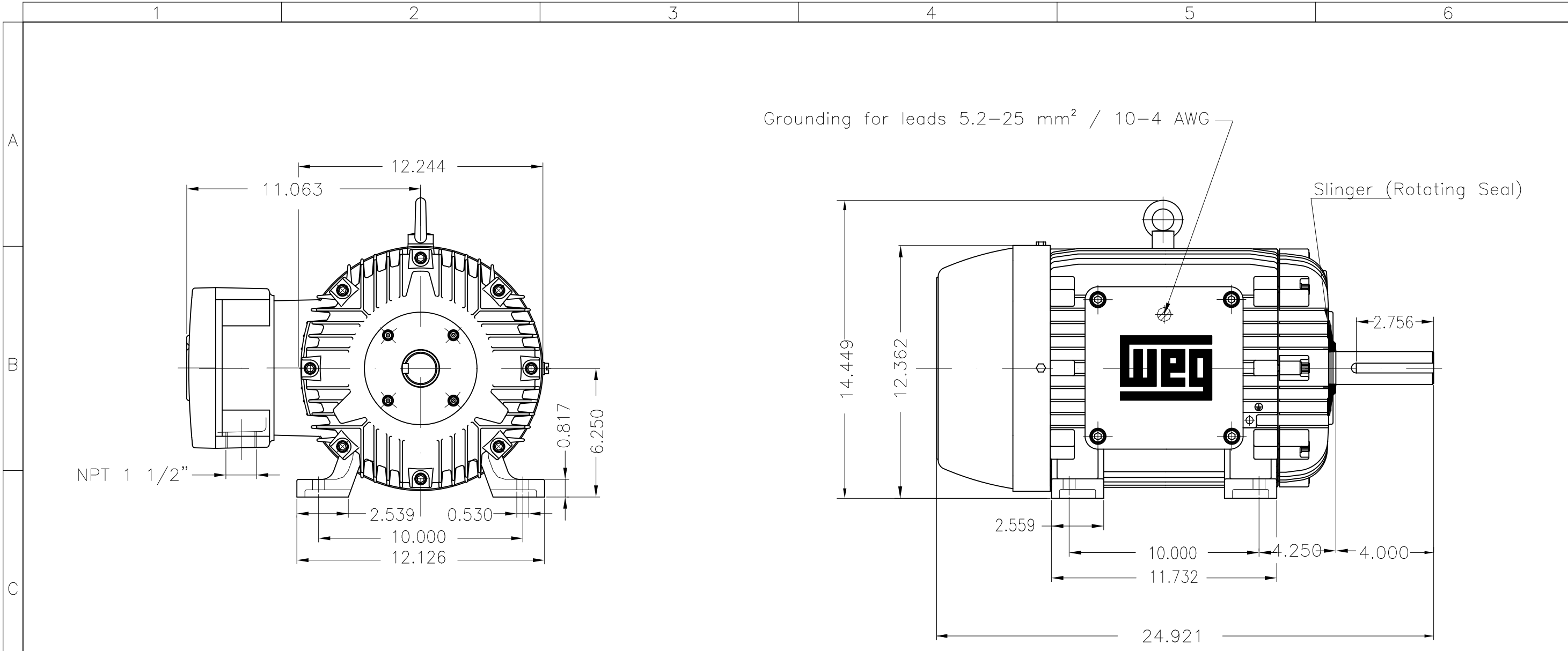
Thermal protection

ID	Application	Type	Quantity	Sensing Temperature
1	Winding	Thermostat - 2 wires	1 x Phase	155 °C

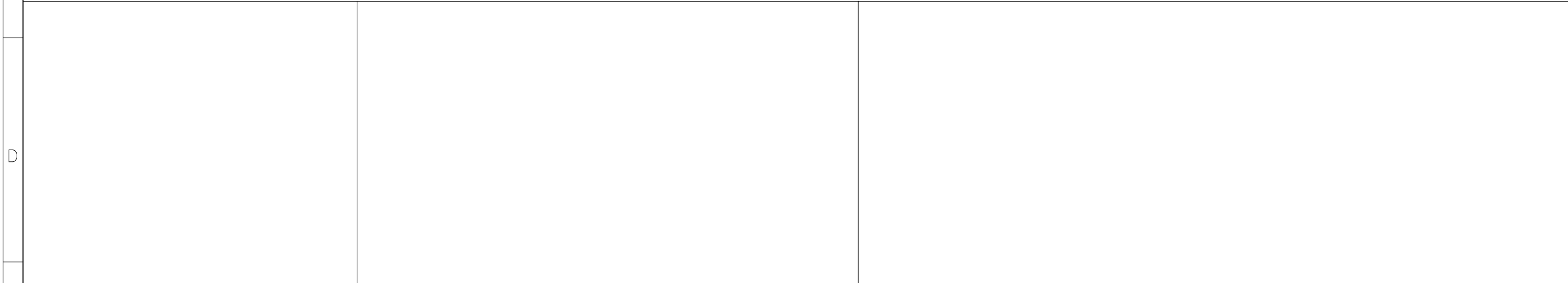
Rev.	Changes Summary	Performed	Checked	Date
Performed by		Page 2 / 2		Revision
Checked by				
Date	12/10/2023			

Grounding for leads 5.2–25 mm² / 10–4 AWG

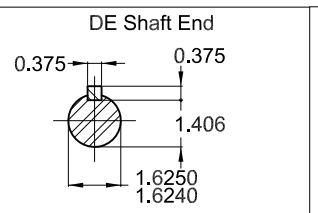
Slinger (Rotating Seal)



NPT 1 1/2"



With grease fitting
Color RAL 5009
Painting plan 202P
Mounting NEMA F-1
Mounting B3R(D)



20 HP 02 Poles 60 Hz A

						HYBRISUSER								00	
ECM	LOC	SUMMARY OF MODIFICATIONS				EXECUTED	CHECKED	RELEASED	DATE	VER					
EXECUTED	HYBRISUSER	THREE PH. MOTOR EXPLOSION PROOF NEMA PREM. EFF.		FRAME 256T IP55 TEFC		PREVIEW		WDD		00					
CHECKED												SHEET 1 / 1			
RELEASED															
REL. DATE		WMO Jaragua do Sul		Product Engineering											


W21X NEMA
Premium

14406886



LISTED

CC029A

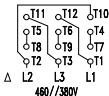
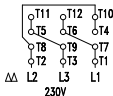
Inverter Duty Motor
Severe Duty

MODEL 02036XT3E256T

PH 3	FR 256T		
HP(kW) 20.0(15.0)		HZ 60	IP55
V 230/460		A 46.4/23.2	
RPM 3530		NEMA NOM EFF 91.0%	
PF 0.89		SFA 53.4/26.7	DES B
INS CL F Δ T 80 K		SF 1.15	ENCL TEFC
DUTY CONT.		CODE G	ALT 1000 m.a.s.l.
AMB 40°C			

AMB 55°C SF1.0 -bearings lub interval reduced by a factor of 50%

20HP 15kW 50Hz 380V 27.8A 2900RPM SF1.00 EFF 91.0% (IE2)



→ 6309-C3 MOBIL POLYREX EM

→ 6209-C3 13 g 15797 h

359 Lbs


 TEMP CODE T3C
 CSA/UL: Class I - Div. 1 - Groups C and D
 CSA: Class II - Div. 1 - Groups F and G
 CSA: Class I - Zone 1 - IIB

EXPLOSION PROOF MOTOR

FOR USE ON VPWM VFD 1000:1VT, 6:1CT, 1.0SF, T3C, AMB 40°C.