



# Technical Data

## Vertical Multistage - SBI 64-4

Revision no.

Page:  
1

Receiver

From

Company name  
Respons. Department  
Person in charge  
Phone number  
Fax no  
E-mail address

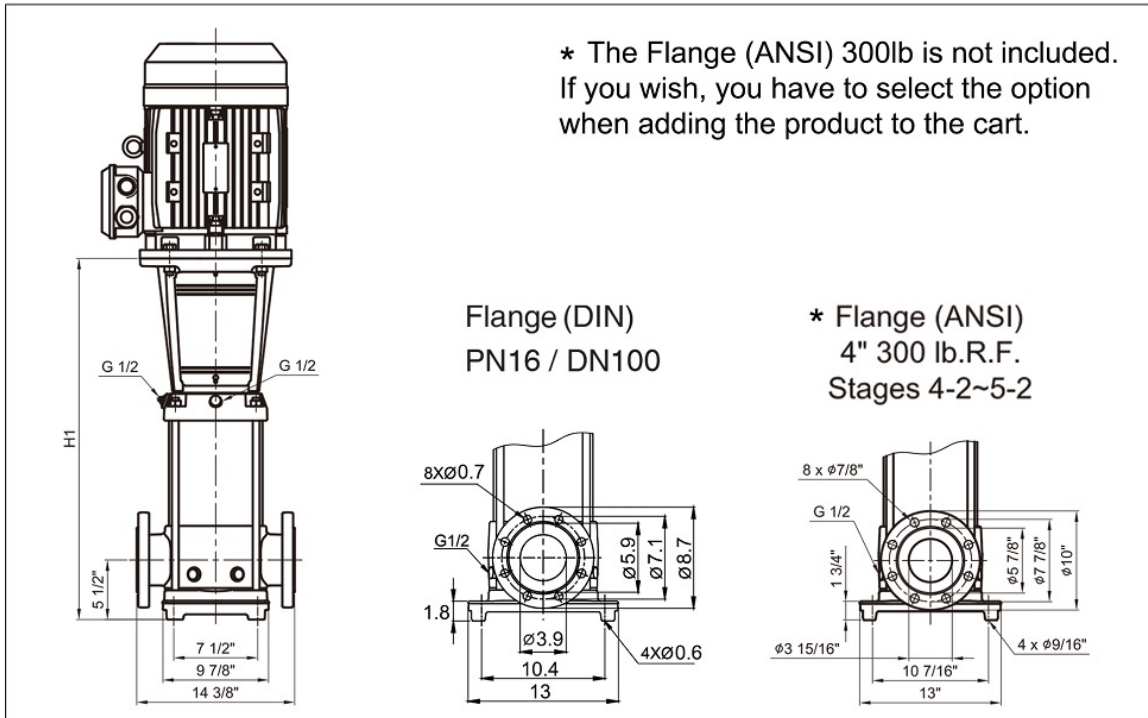




**Brand: Gol Pumps**  
**Model: SBI 64-4 (Without Motor)**



### Dimensions:



Pump Installation Size (inch)						
DIN Flange		Port Size		D1	D2	Net Weight
H1	H2	DNA	DNM			Lb.
36.4	63.6	4	4	17.6	12.8	-

Project	Project ID	Created by	Created on	Last update
---------	------------	------------	------------	-------------



# Performance Curves

## Vertical Multistage - SBI 64-4

Revision no.

Page:  
2

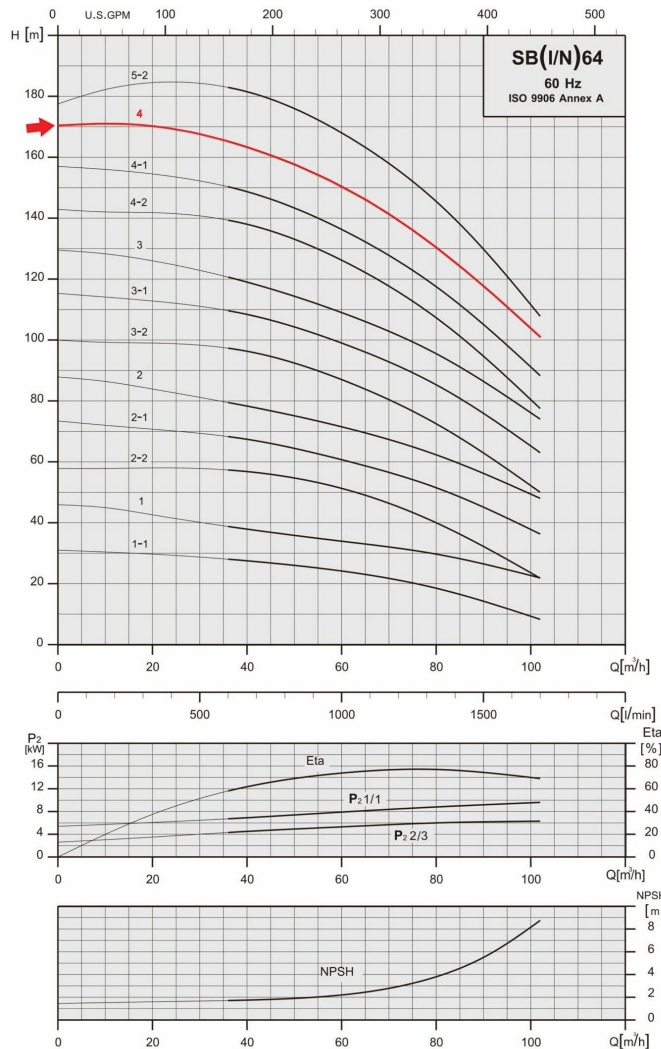
Receiver

From

Company name  
Respons. Department  
Person in charge  
Phone number  
Fax no  
E-mail address



Model	Port Size (in.)		Flow	HP	Volts	Amps	Phase	Max. Head	Max. Suction	Max. PSI
	DNA	DNM	GPH		V	I Max.	Ph	Ft.	Ft.	
<b>SBI 64-4</b>	4	4	27000	60	460	78.2	Three	564	17	249



Project	Project ID	Created by	Created on	Last update
---------	------------	------------	------------	-------------



# Parts and Materials

## Vertical Multistage - SBI 64-4

Revision no.

Page:

3

Receiver

From

 Company name  
 Respons. Department  
 Person in charge  
 Phone number  
 Fax no  
 E-mail address

	<b>Parts List</b>	<b>Material</b>	<b>Standard</b>
	36 Pump Head	Stainless Steel	AISI 304
	53 Motor Bracket	Cast Iron	ASTM 35B
	18 Impeller	Stainless Steel	AISI 304
	37 Shaft	Stainless Steel	AISI 431
	48 Outer Sleeve	Stainless Steel	AISI 304
	82 O-ring for Outer Sleeve	EPDM	
	12 Chamber	Stainless Steel	AISI 304
	24 Neck Ring	Carbon Fiber + POB + PTFE	
	59 Base	Stainless Steel	AISI 304
	62 Base Plate	Cast Iron	ASTM 35B
	57 Mechanical Seal	Cartridge Type	
	14 Bearing Ring	Bronze	
	42 Bottom Bearing Ring	Tungsten Carbide	

Project

Project ID

Created by

Created on

Last update