



# Technical Data

## Vertical Multistage - SBN 45-5

Revision no.

Page:  
1

Receiver

From

Company name  
Respons. Department  
Person in charge  
Phone number  
Fax no  
E-mail address

|  |
|--|
|  |
|  |
|  |
|  |
|  |

|  |
|--|
|  |
|  |
|  |
|  |
|  |



**Brand: Gol Pumps**  
**Model: SBN 45-5**



### Dimensions:

\* The Flange (ANSI) 300lb is not included.  
If you wish, you have to select the option  
when adding the product to the cart.

\* Flange (ANSI)  
3" 300 lb.R.F.  
Stages 4-1~8-1

**Flange (DIN)**  
PN16-25-40 / DN80

| Pump Installation Size (inch) |      |           |     |      |      |                   |
|-------------------------------|------|-----------|-----|------|------|-------------------|
| DIN Flange                    |      | Port Size |     | D1   | D2   | Net Weight<br>Lb. |
| H1                            | H2   | DNA       | DNM |      |      |                   |
| 38.9                          | 64.9 | 3         | 3   | 15.4 | 11.6 | 710.8             |

|         |            |            |            |             |
|---------|------------|------------|------------|-------------|
| Project | Project ID | Created by | Created on | Last update |
|---------|------------|------------|------------|-------------|



# Performance Curves

## Vertical Multistage - SBN 45-5

Revision no. \_\_\_\_\_

Page: 2

Receiver \_\_\_\_\_

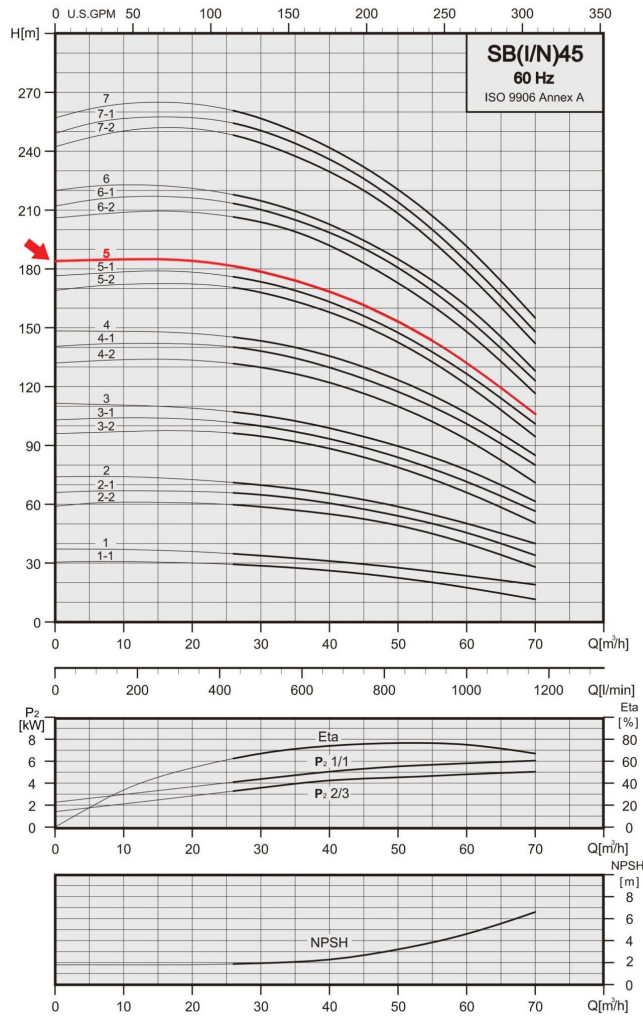
From \_\_\_\_\_

Company name \_\_\_\_\_  
 Respons. Department \_\_\_\_\_  
 Person in charge \_\_\_\_\_  
 Phone number \_\_\_\_\_  
 Fax no \_\_\_\_\_  
 E-mail address \_\_\_\_\_

|  |
|--|
|  |
|  |
|  |
|  |
|  |
|  |

|  |
|--|
|  |
|  |
|  |
|  |
|  |
|  |

| Model           | Port Size (in.) |     | Flow  | HP | Volts | Amps   | Phase | Max. Head | Max. Suction | Max. PSI |
|-----------------|-----------------|-----|-------|----|-------|--------|-------|-----------|--------------|----------|
|                 | DNA             | DNM | GPH   |    | V     | I Max. | Ph    | Ft.       | Ft.          |          |
| <b>SBN 45-5</b> | 3               | 3   | 19200 | 40 | 460   | 51.4   | Three | 606       | 17           | 265      |



|               |                  |                  |                  |                   |
|---------------|------------------|------------------|------------------|-------------------|
| Project _____ | Project ID _____ | Created by _____ | Created on _____ | Last update _____ |
|---------------|------------------|------------------|------------------|-------------------|



# Parts and Materials

## Vertical Multistage - SBN 45-5

Revision no.

Page:  
 3

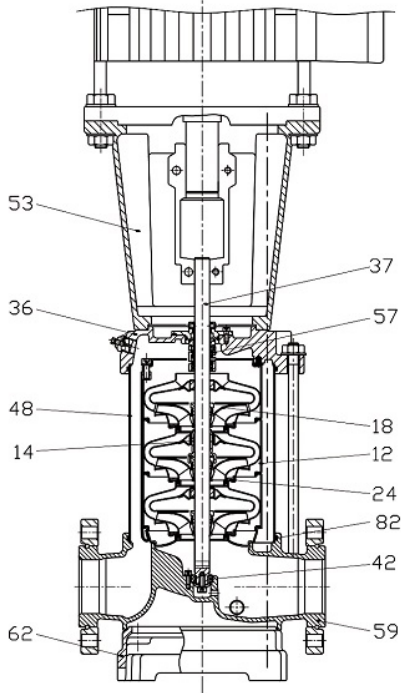
Receiver

From

Company name  
 Respons. Department  
 Person in charge  
 Phone number  
 Fax no  
 E-mail address

|  |
|--|
|  |
|  |
|  |
|  |
|  |

|  |
|--|
|  |
|  |
|  |
|  |
|  |



| Parts List                 | Material                     | Standard |
|----------------------------|------------------------------|----------|
| 36 Pump Head               | Stainless Steel              | AISI 316 |
| 53 Motor Bracket           | Cast Iron                    | ASTM 35B |
| 18 Impeller                | Stainless Steel              | AISI 316 |
| 37 Shaft                   | Stainless Steel              | AISI 316 |
| 48 Outer Sleeve            | Stainless Steel              | AISI 316 |
| 82 O-ring for Outer Sleeve | EPDM                         |          |
| 12 Chamber                 | Stainless Steel              | AISI 316 |
| 24 Neck Ring               | Carbon Fiber +<br>POB + PTFE |          |
| 59 Base                    | Stainless Steel              | AISI 316 |
| 62 Base Plate              | Cast Iron                    | ASTM 35B |
| 57 Mechanical Seal         | Cartridge Type               |          |
| 14 Bearing Ring            | POB + Graphite<br>+ PTFE     |          |
| 42 Bottom Bearing Ring     | Tungsten Carbide             |          |

|         |            |            |            |             |
|---------|------------|------------|------------|-------------|
| Project | Project ID | Created by | Created on | Last update |
|---------|------------|------------|------------|-------------|