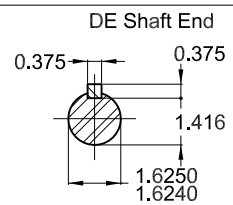
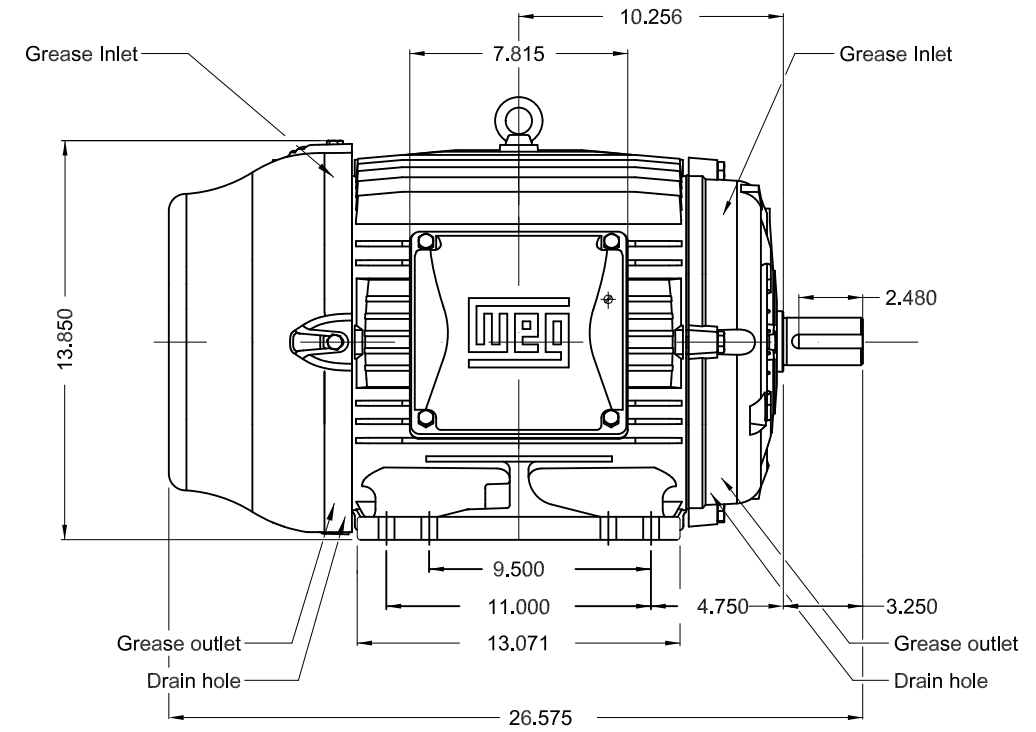
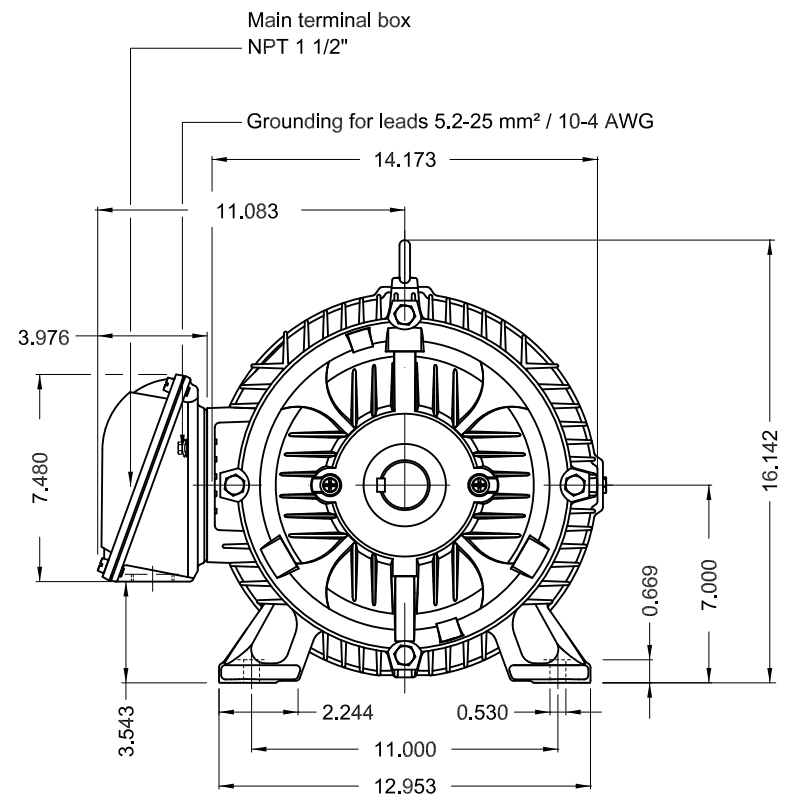


DATA SHEET



Three Phase Induction Motor - Squirrel Cage

Customer :																
Product line : W22 NEMA Premium Efficiency Three-Phase	Product code : 12447102 Catalog # : 02536ET3E284TS-W22															
Frame : 284/6TS Output : 25 HP (18.5 kW) Poles : 2 Frequency : 60 Hz Rated voltage : 230/460 V Rated current : 57.5/28.8 A L. R. Amperes : 363/181 A LRC : 6.3x(Code G) No load current : 16.3/8.15 A Rated speed : 3545 rpm Slip : 1.53 % Rated torque : 37.0 ft.lb Locked rotor torque : 200 % Breakdown torque : 250 % Insulation class : F Service factor : 1.25 Moment of inertia (J) : 2.69 sq.ft.lb Design : B	Locked rotor time : 30s (cold) 17s (hot) Temperature rise : 80 K Duty cycle : Cont.(S1) Ambient temperature : -20°C to +40°C Altitude : 1000 m.a.s.l. Protection degree : IP55 Cooling method : IC411 - TEFC Mounting : F-1 Rotation ¹ : Both (CW and CCW) Noise level ² : 72.0 dB(A) Starting method : Direct On Line Approx. weight ³ : 338 lb															
<table border="1" style="width:100%; border-collapse: collapse;"> <tr> <td>Output</td> <td>25%</td> <td>50%</td> <td>75%</td> <td>100%</td> </tr> <tr> <td>Efficiency (%)</td> <td>0.000</td> <td>91.0</td> <td>91.7</td> <td>91.7</td> </tr> <tr> <td>Power Factor</td> <td>0.00</td> <td>0.78</td> <td>0.85</td> <td>0.88</td> </tr> </table>	Output	25%	50%	75%	100%	Efficiency (%)	0.000	91.0	91.7	91.7	Power Factor	0.00	0.78	0.85	0.88	Foundation loads Max. traction : 298 lb Max. compression : 636 lb
Output	25%	50%	75%	100%												
Efficiency (%)	0.000	91.0	91.7	91.7												
Power Factor	0.00	0.78	0.85	0.88												
Losses at normative operating points (speed;torque), in percentage of rated output power																
P1 (0,9;1,0)	P2 (0,5;1,0)	P3 (0,25;1,0)	P4 (0,9;0,5)	P5 (0,5;0,5)	P6 (0,5;0,25)	P7 (0,25;0,25)										
8.1	5.6	4.9	4.8	2.5	1.7	0.9										
			<u>Drive end</u>				<u>Non drive end</u>									
Bearing type	:	6311 C3			6211 C3											
Sealing	:	V'Ring			V'Ring											
Lubrication interval	:	14000 h			17000 h											
Lubricant amount	:	18 g			11 g											
Lubricant type	:	Mobil Polyrex EM														
Notes USABLE @208V 63.0A SF 1.10 SFA 69.3A																
This revision replaces and cancel the previous one, which must be eliminated. (1) Looking the motor from the shaft end. (2) Measured at 1m and with tolerance of +3dB(A). (3) Approximate weight subject to changes after manufacturing process. (4) At 100% of full load.				These are average values based on tests with sinusoidal power supply, subject to the tolerances stipulated in NEMA MG-1.												
Rev.	Changes Summary			Performed	Checked	Date										
Performed by																
Checked by																
Date	03/11/2023				Page 1 / 1	Revision										



Without vertical jackscrews
 Color RAL 5009
 Painting plan 203A
 Mounting B3R(D)

25 HP 02 Poles 60 Hz A

						USERADMIN								00		
ECM	LOC	SUMMARY OF MODIFICATIONS				EXECUTED	CHECKED	RELEASED	DATE	VER						
EXECUTED	USERADMIN	THREE PH. MOTOR W22 NEMA PREM. EFF.				EXECUTED		CHECKED		RELEASED		DATE		VER		
CHECKED		FRAME 284/6TS IP55 TEFC				EXECUTED		CHECKED		RELEASED		DATE		VER		
RELEASED						EXECUTED		CHECKED		RELEASED		DATE		VER		
REL. DATE		WMO Jaragua do Sul				Product Engineering		SHEET		1 / 1						

PREVIEW

WDD 00





FOR SAFE AREA
Mod. TE1BFOXON
CC029A



For use on 60Hz
Class I, Div 2, Gr A, B, C and D - T3
Class I, Zone 2, IIC - T3
Class II, Div 2, Gr F and G - T4
For use on PWM: Gr. A, B, C, D and F,
VT 1000:1, CT 20:1, 1.00SF - T3A

MODEL 02536ET3E284TS-W22

Inverter Duty Motor
Severe Duty

PH3 60Hz Fr. 284/6TS 1000m.a.s.l. IP55 TEFC 338lb

V 230/460

A 57.5/28.8

HP 25

kW 18.5

SF 1.25

SFA 71.9/36.0

RPM 3545

PF 0.88

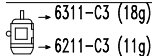
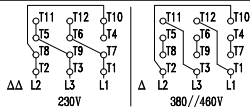
AMB 40°C

INS cl. F DT80K NEMA NOM EFF 91.7%

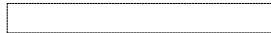
DUTY CONT.

DES B Code G

25HP 18.5kW 50Hz 380V 35.3A 2915RPM SF 1.00 EFF 89.5% (IE1)



MOBIL POLYREX EM (14000h)



MADE IN MEXICO
12447102