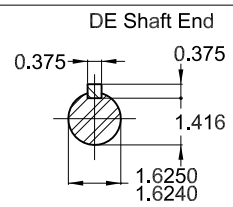
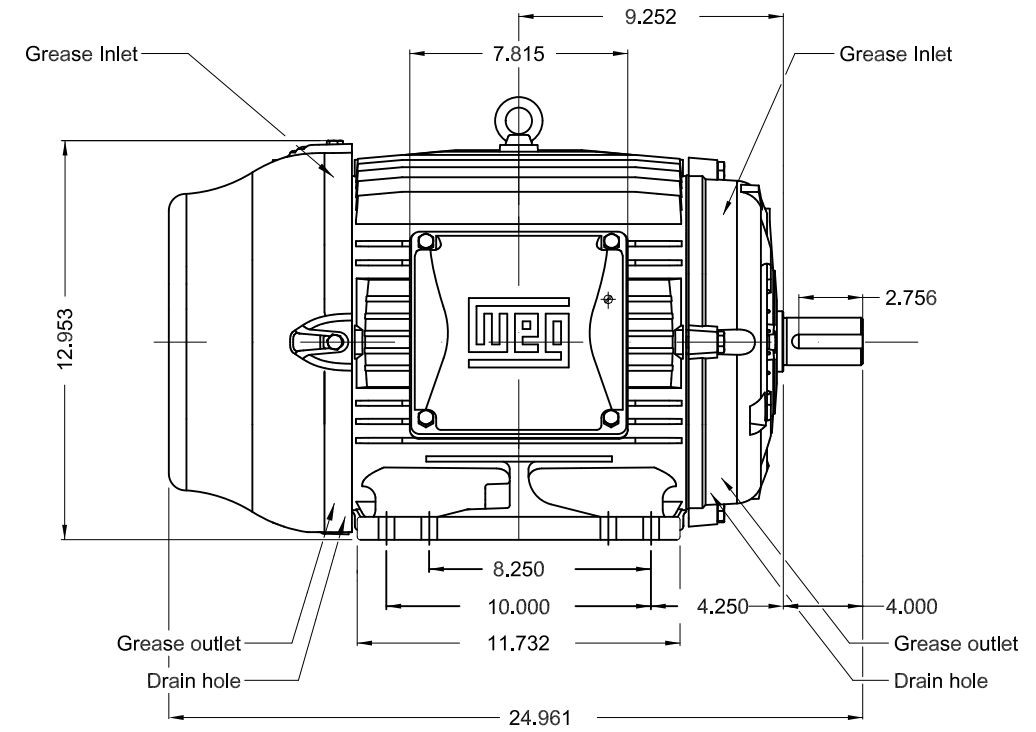
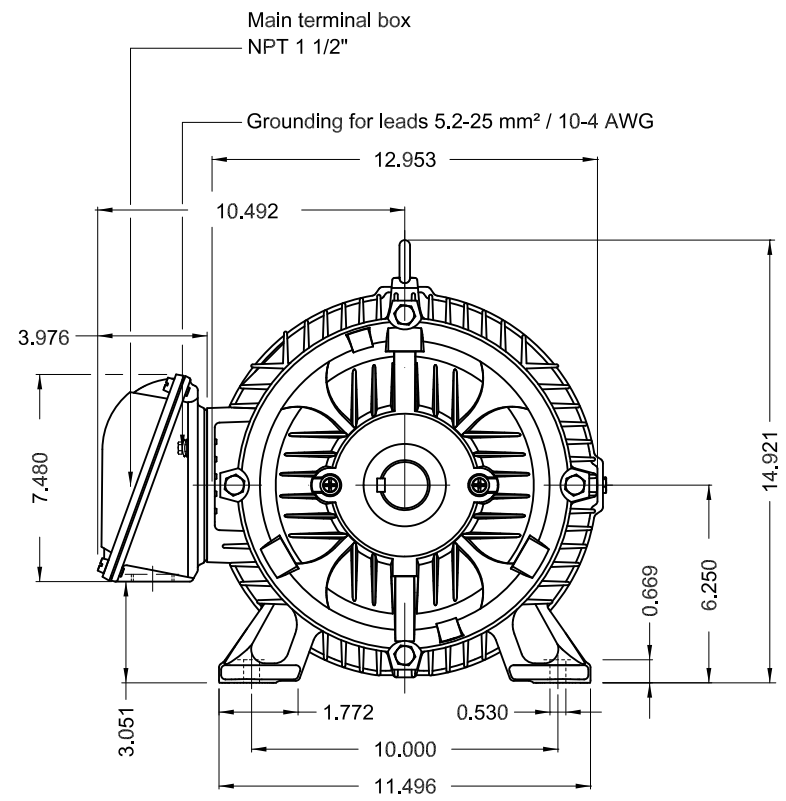


DATA SHEET



Three Phase Induction Motor - Squirrel Cage

Customer :																
Product line : W22 NEMA Premium Efficiency Three-Phase	Product code : 11438382 Catalog # : 01012ET3E256T-W22															
Frame : 254/6T Output : 10 HP (7.5 kW) Poles : 6 Frequency : 60 Hz Rated voltage : 230/460 V Rated current : 26.6/13.3 A L. R. Amperes : 173/86.5 A LRC : 6.5x(Code H) No load current : 12.0/6.00 A Rated speed : 1175 rpm Slip : 2.08 % Rated torque : 44.7 ft.lb Locked rotor torque : 229 % Breakdown torque : 280 % Insulation class : F Service factor : 1.25 Moment of inertia (J) : 4.43 sq.ft.lb Design : B	Locked rotor time : 46s (cold) 26s (hot) Temperature rise : 80 K Duty cycle : Cont.(S1) Ambient temperature : -20°C to +40°C Altitude : 1000 m.a.s.l. Protection degree : IP55 Cooling method : IC411 - TEFC Mounting : F-1 Rotation ¹ : Both (CW and CCW) Noise level ² : 59.0 dB(A) Starting method : Direct On Line Approx. weight ³ : 304 lb															
<table border="1"> <tr> <td>Output</td> <td>25%</td> <td>50%</td> <td>75%</td> <td>100%</td> </tr> <tr> <td>Efficiency (%)</td> <td>90.0</td> <td>90.2</td> <td>91.0</td> <td>91.0</td> </tr> <tr> <td>Power Factor</td> <td>0.38</td> <td>0.63</td> <td>0.74</td> <td>0.78</td> </tr> </table>	Output	25%	50%	75%	100%	Efficiency (%)	90.0	90.2	91.0	91.0	Power Factor	0.38	0.63	0.74	0.78	Foundation loads Max. traction : 519 lb Max. compression : 824 lb
Output	25%	50%	75%	100%												
Efficiency (%)	90.0	90.2	91.0	91.0												
Power Factor	0.38	0.63	0.74	0.78												
Losses at normative operating points (speed;torque), in percentage of rated output power																
P1 (0,9;1,0)	P2 (0,5;1,0)	P3 (0,25;1,0)	P4 (0,9;0,5)	P5 (0,5;0,5)	P6 (0,5;0,25)	P7 (0,25;0,25)										
9.8	8.4	7.8	5.0	3.6	2.5	1.8										
Drive end Bearing type : 6309 C3 Sealing : V'Ring Lubrication interval : 20000 h Lubricant amount : 13 g Lubricant type : Mobil Polyrex EM			Non drive end Bearing type : 6209 C3 Sealing : V'Ring Lubrication interval : 20000 h Lubricant amount : 9 g													
Notes USABLE @208V 28.5A SF 1.15 SFA 32.8A																
This revision replaces and cancel the previous one, which must be eliminated. (1) Looking the motor from the shaft end. (2) Measured at 1m and with tolerance of +3dB(A). (3) Approximate weight subject to changes after manufacturing process. (4) At 100% of full load.				These are average values based on tests with sinusoidal power supply, subject to the tolerances stipulated in NEMA MG-1.												
Rev.	Changes Summary			Performed	Checked	Date										
Performed by																
Checked by					Page	Revision										
Date	07/11/2023				1 / 1											



Color RAL 5009
 Painting plan 203A
 Mounting B3R(D)

10 HP 06 Poles 60 Hz A

						USERADMIN								00		
ECM	LOC	SUMMARY OF MODIFICATIONS				EXECUTED	CHECKED	RELEASED	DATE	VER						
EXECUTED	USERADMIN	THREE PH. MOTOR W22 NEMA PREM. EFF.				EXECUTED		CHECKED		RELEASED		DATE		VER		
CHECKED		FRAME 254/6T IP55 TEFC				EXECUTED		CHECKED		RELEASED		DATE		VER		
RELEASED						EXECUTED		CHECKED		RELEASED		DATE		VER		
REL. DATE		WMO Jaragua do Sul				Product Engineering		SHEET		1 / 1						

PREVIEW

WDD 00





FOR SAFE AREA
Mod.TE1BFOXON
CC029A



For use on 60Hz
Class I, Div 2, Gr A, B, C and D - T3
Class I, Zone 2, IIC - T3
Class II, Div 2, Gr F and G - T4
For use on PWM: Gr. A, B, C, D and F,
VT 1000:1, CT 20:1, 1.00SF - T3A

MODEL 01012ET3E256T-W22

Inverter Duty Motor
Severe Duty
IEC 60034-1

PH3 60Hz Fr. 254/6T 1000m.a.s.l. IP55 TEFC 304lb

V 230/460 A 26.6/13.3

HP 10 kW 7.5

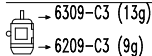
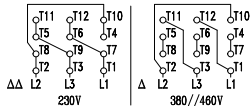
SF 1.25 SFA 33.3/16.6

RPM 1175 PF 0.78

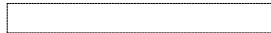
AMB 40°C INS cl. F DT80K NEMA NOM EFF 91.0%

DUTY CONT. DES B Code H

10HP 7.5kW 50Hz 380V 15.4A 965RPM SF 1.00 EFF 89.1% (IE3) DES N



MOBIL POLYREX EM (20000h)



MADE IN BRAZIL
11438382