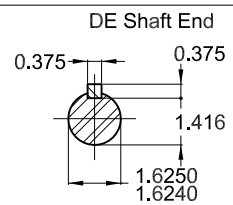
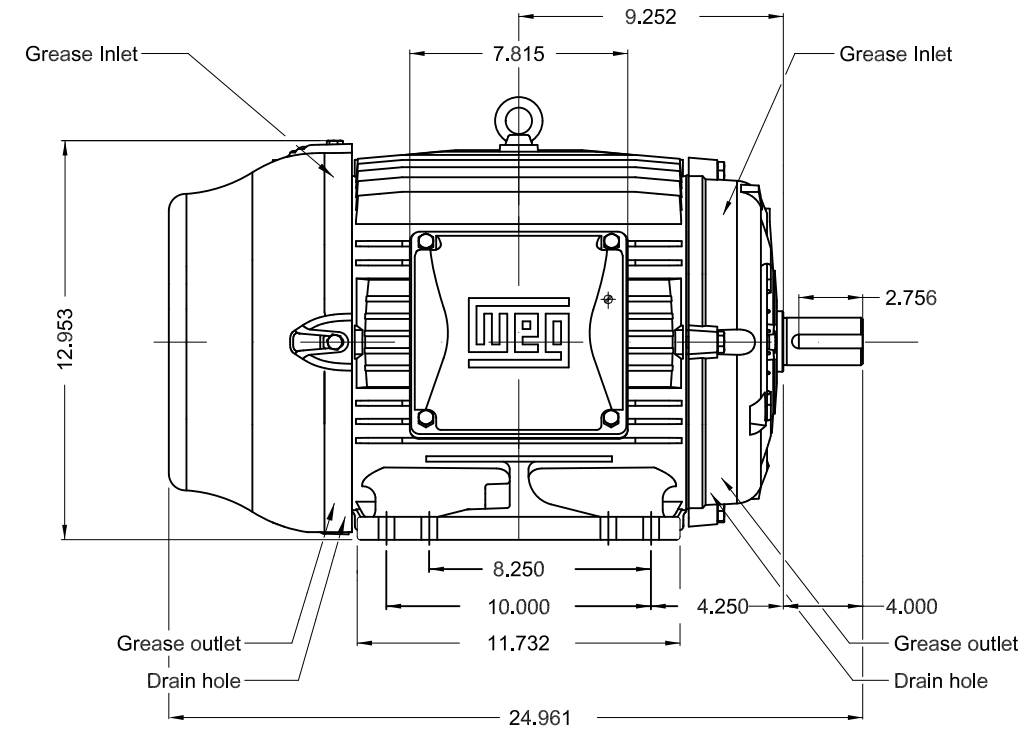
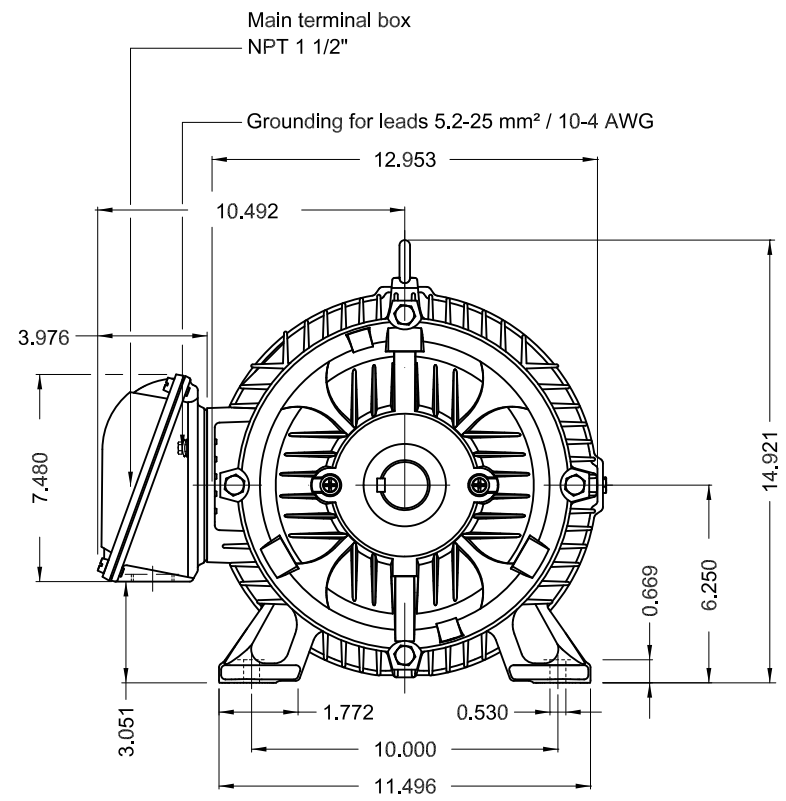


DATA SHEET



Three Phase Induction Motor - Squirrel Cage

Customer :						
Product line : W22 NEMA Premium Efficiency Three-Phase			Product code : 11723921		Catalog # : 01518ET3E254T-W22	
Frame : 254/6T Output : 15 HP (11 kW) Poles : 4 Frequency : 60 Hz Rated voltage : 230/460 V Rated current : 36.0/18.0 A L. R. Amperes : 230/115 A LRC : 6.4x(Code G) No load current : 14.0/7.00 A Rated speed : 1768 rpm Slip : 1.78 % Rated torque : 44.6 ft.lb Locked rotor torque : 240 % Breakdown torque : 260 % Insulation class : F Service factor : 1.25 Moment of inertia (J) : 2.62 sq.ft.lb Design : B			Locked rotor time : 55s (cold) 31s (hot) Temperature rise : 80 K Duty cycle : Cont.(S1) Ambient temperature : -20°C to +40°C Altitude : 1000 m.a.s.l. Protection degree : IP55 Cooling method : IC411 - TEFC Mounting : F-1 Rotation ¹ : Both (CW and CCW) Noise level ² : 64.0 dB(A) Starting method : Direct On Line Approx. weight ³ : 293 lb			
Output 25% 50% 75% 100%			Foundation loads			
Efficiency (%) 0.000 91.0 91.7 92.4			Max. traction : 472 lb			
Power Factor 0.00 0.68 0.78 0.83			Max. compression : 765 lb			
Losses at normative operating points (speed;torque), in percentage of rated output power						
P1 (0,9;1,0)	P2 (0,5;1,0)	P3 (0,25;1,0)	P4 (0,9;0,5)	P5 (0,5;0,5)	P6 (0,5;0,25)	P7 (0,25;0,25)
8.1	6.8	6.3	3.9	2.7	1.8	1.2
			<u>Drive end</u>		<u>Non drive end</u>	
Bearing type :			6309 C3		6209 C3	
Sealing :			V'Ring		V'Ring	
Lubrication interval :			20000 h		20000 h	
Lubricant amount :			13 g		9 g	
Lubricant type :			Mobil Polyrex EM			
Notes USABLE @208V 39.8A SF 1.15 SFA 45.8A						
This revision replaces and cancel the previous one, which must be eliminated. (1) Looking the motor from the shaft end. (2) Measured at 1m and with tolerance of +3dB(A). (3) Approximate weight subject to changes after manufacturing process. (4) At 100% of full load.				These are average values based on tests with sinusoidal power supply, subject to the tolerances stipulated in NEMA MG-1.		
Rev.	Changes Summary			Performed	Checked	Date
Performed by						
Checked by					Page	Revision
Date	07/11/2023				1 / 1	



Without vertical jackscrews
 Color RAL 5009
 Painting plan 203A
 Mounting B3R(D)

15 HP 04 Poles 60 Hz A

						USERADMIN								00	
ECM	LOC	SUMMARY OF MODIFICATIONS				EXECUTED	CHECKED	RELEASED	DATE	VER					
EXECUTED	USERADMIN	THREE PH. MOTOR W22 NEMA PREM. EFF.				EXECUTED		CHECKED		RELEASED		DATE		VER	
CHECKED		FRAME 254/6T IP55 TEFC				EXECUTED		CHECKED		RELEASED		DATE		VER	
RELEASED						EXECUTED		CHECKED		RELEASED		DATE		VER	
REL. DATE		WMO Jaragua do Sul				Product Engineering		SHEET		1 / 1		DATE		VER	

PREVIEW

WDD 00





FOR SAFE AREA
Mod. TE1BFOXON
CC029A



For use on 60Hz
Class I, Div 2, Gr A, B, C and D - T3
Class I, Zone 2, IIC - T3
Class II, Div 2, Gr F and G - T4
For use on PWM: Gr. A, B, C, D and F,
VT 1000:1, CT 20:1, 1.00SF - T3A

MODEL 01518ET3E254T-W22

Inverter Duty Motor
Severe Duty

PH3 60Hz Fr. 254/6T 1000m.a.s.l. IP55 TEFC 293lb

V 230/460 A 36.0/18.0

HP 15 kW 11

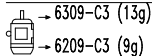
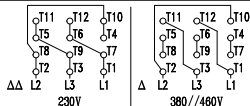
SF 1.25 SFA 45.0/22.5

RPM 1770 PF 0.83

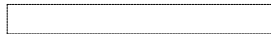
AMB 40°C INS cl. F DT80K NEMA NOM EFF 92.4%

DUTY CONT. DES B Code G

15HP 11kW 50Hz 380V 21.5A 1455RPM SF 1.00 EFF 90.2% (IE2)



MOBIL POLYREX EM (20000h)



MADE IN MEXICO
11723921