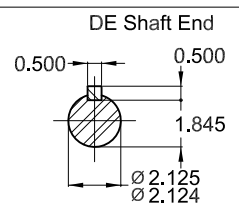
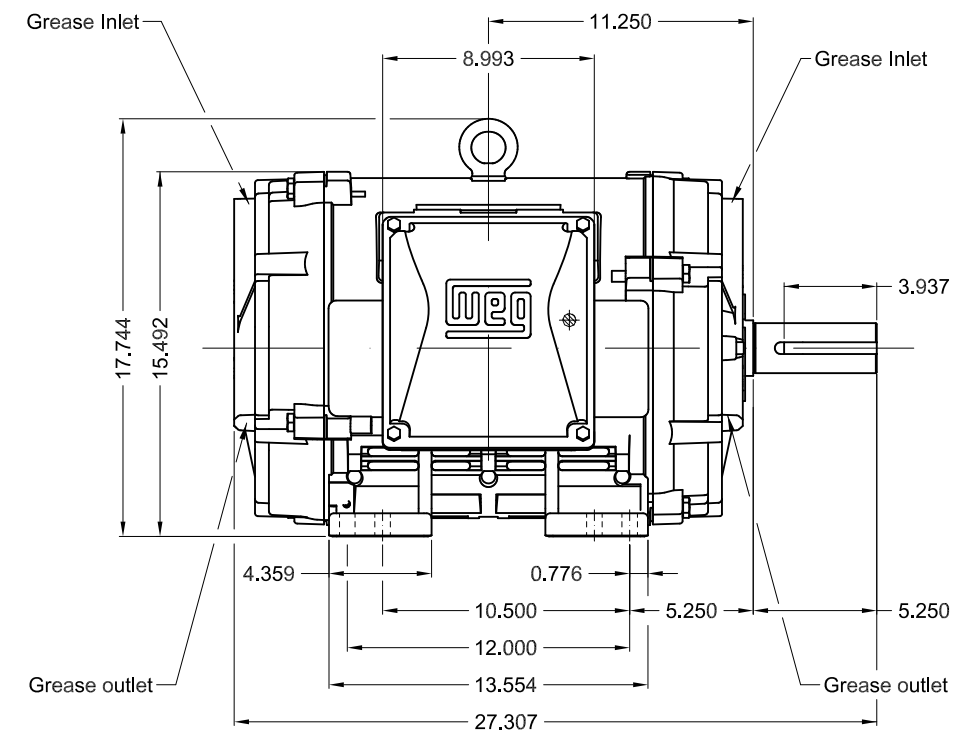
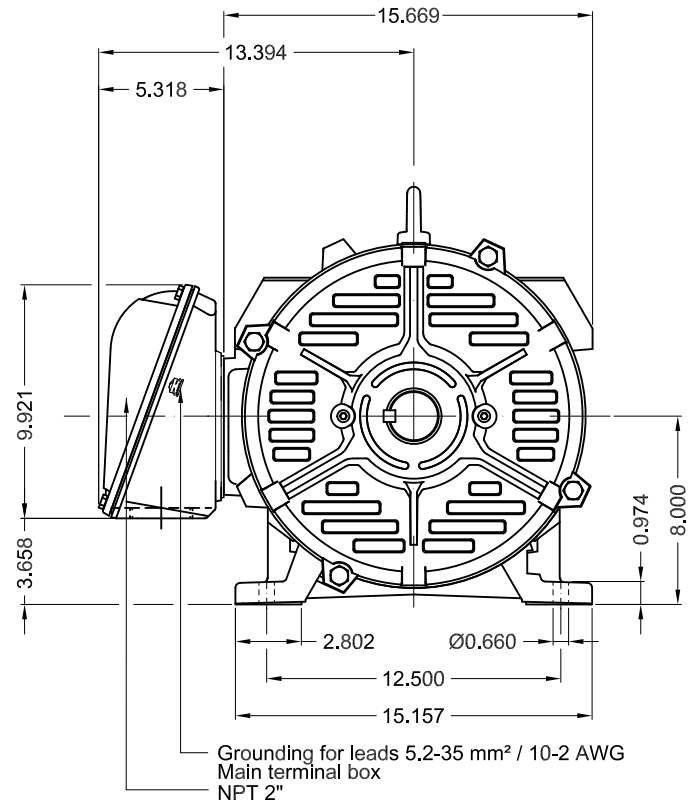


# DATA SHEET



## Three Phase Induction Motor - Squirrel Cage

Customer :				
Product line : W40 NEMA Premium Efficiency Three-Phase		Product code : 14367636		
		Catalog # : 05018OT3E326T-W40		
Frame : 324/6T Output : 50 HP (37 kW) Poles : 4 Frequency : 60 Hz Rated voltage : 230/460 V Rated current : 117/58.5 A L. R. Amperes : 737/369 A LRC : 6.3x(Code G) No load current : 46.4/23.2 A Rated speed : 1775 rpm Slip : 1.39 % Rated torque : 148 ft.lb Locked rotor torque : 240 % Breakdown torque : 240 % Insulation class : F Service factor : 1.25 Moment of inertia (J) : 7.08 sq.ft.lb Design : B		Locked rotor time : 19s (cold) 11s (hot) Temperature rise : 80 K Duty cycle : Cont.(S1) Ambient temperature : -20°C to +40°C Altitude : 1000 m.a.s.l. Protection degree : IP23 Cooling method : IC01 - ODP Mounting : F-1 Rotation <sup>1</sup> : Both (CW and CCW) Noise level <sup>2</sup> : 66.0 dB(A) Starting method : Direct On Line Approx. weight <sup>3</sup> : 510 lb		
Output	25%	50%	75%	100%
Efficiency (%)	94.0	94.1	94.5	94.5
Power Factor	0.44	0.70	0.80	0.84
Foundation loads				
Max. traction				
Max. compression				
		<u>Drive end</u>	<u>Non drive end</u>	
Bearing type	:	6312 Z C3	6211 Z C3	
Sealing	:	Without Bearing Seal	Without Bearing Seal	
Lubrication interval	:	20000 h	20000 h	
Lubricant amount	:	21 g	11 g	
Lubricant type	:	Mobil Polyrex EM		
Notes USABLE @208V 129A SF 1.15 SFA 149A				
This revision replaces and cancel the previous one, which must be eliminated. (1) Looking the motor from the shaft end. (2) Measured at 1m and with tolerance of +3dB(A). (3) Approximate weight subject to changes after manufacturing process. (4) At 100% of full load.		These are average values based on tests with sinusoidal power supply, subject to the tolerances stipulated in NEMA MG-1.		
Rev.	Changes Summary		Performed	Checked
Performed by			Page	Revision
Checked by				
Date	07/11/2023			
			1 / 1	



Color RAL 5009  
Painting plan 203A  
Mounting NEMA F-1  
Mounting B3R(D)

50 HP 04 Poles 60 Hz										A		
										1:8		
										00		
ECM	LOC	SUMMARY OF MODIFICATIONS					USERADMIN	EXECUTED	CHECKED	RELEASED	DATE	VER
EXECUTED	USERADMIN	THREE PH. MOTOR W40 NEMA PREM. EFF.					PREVIEW					
CHECKED		FRAME 324/6T IP23 ODP					WDD 00					
RELEASED							SHEET		1 / 1			
REL. DATE		WMO Jaragua do Sul		Product Engineering								

Dimensions in inches XME A3



60Hz: For use on PWM: VT 1000:1, CT 3:1,  
1.00SF



Mod.T01#FOXON  
CC029A

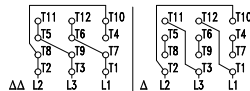
MODEL 050180T3E326T-W40




Inverter Duty Motor  
IEC 60034-1

MADE IN BRAZIL  
14367636

PH3 Fr. 324/6T DUTY CONT. ODP(IC01) IP23 DES B(N) Code G  
510lb 1000m.a.s.l. INS cl. F DT 80K AMB 40°C SF 1.00//1.25

V		Hz	kW	HP	RPM	A		SFA		PF	IE code	NEMA NOM EFF $\eta$ 100%/75%/50%
230 $\Delta\Delta$	460 $\Delta$	60	37	50	1775	117	58.5	146	73.1	0.84	IE3	94.5/94.5/94.1
380 $\Delta$	-	50	30	40	1475	58.0	-	58.0	-	0.84	IE3	93.6/93.5/93.1
-	-	-	-	-	-	-	-	-	-	-	-	-
-	-	-	-	-	-	-	-	-	-	-	-	-



-  → 6312-Z-C3 (21g)
-  → 6211-Z-C3 (11g)
-  ~~MOBIL POLYREX EM (20000h)~~

