

DATA SHEET



Three Phase Induction Motor - Squirrel Cage

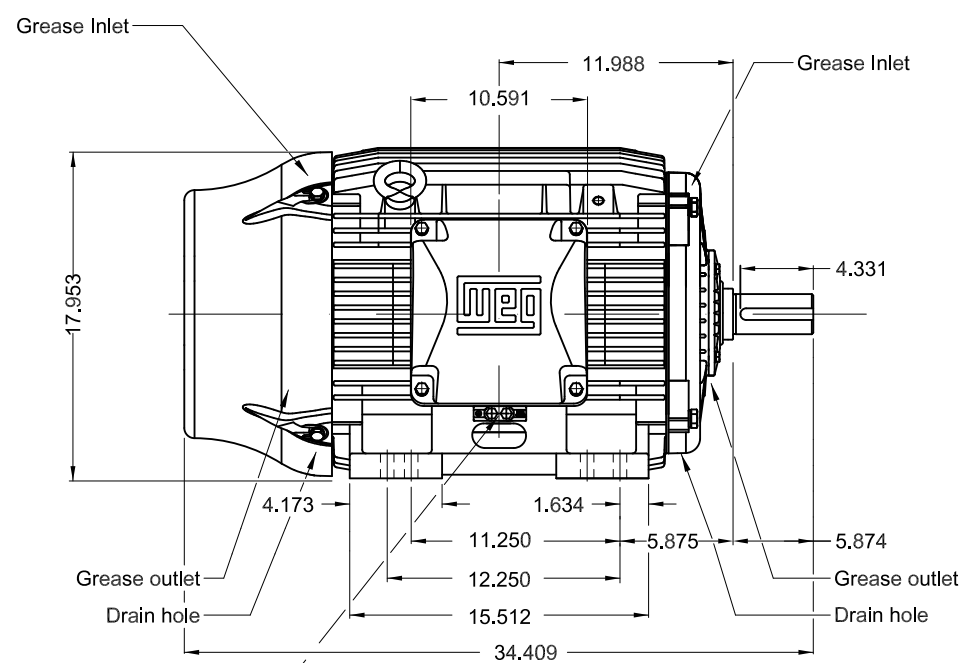
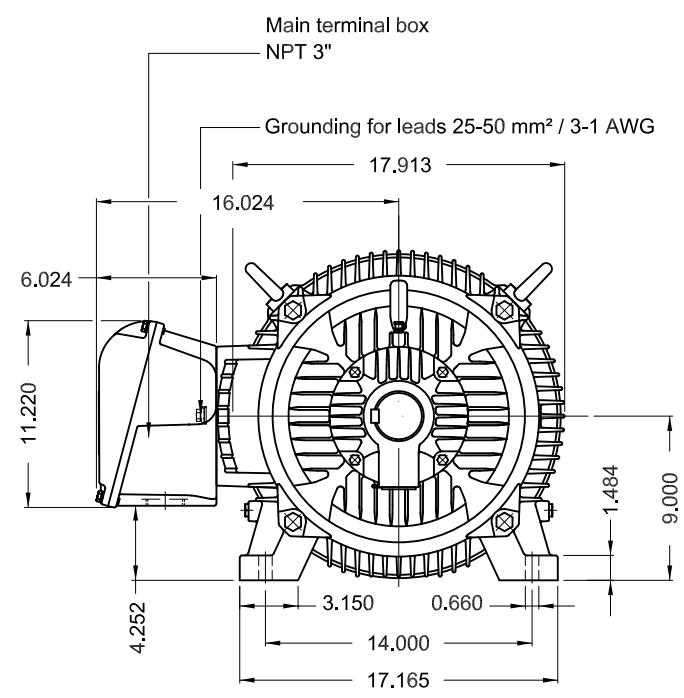
Customer :																
Product line : W22 NEMA Premium Efficiency Three-Phase	Product code : 11166657 Catalog # : 07518ET3E365T-W22															
Frame : 364/5T Output : 75 HP (55 kW) Poles : 4 Frequency : 60 Hz Rated voltage : 230/460 V Rated current : 174/87.2 A L. R. Amperes : 1116/558 A LRC : 6.4x(Code G) No load current : 66.0/33.0 A Rated speed : 1780 rpm Slip : 1.11 % Rated torque : 221 ft.lb Locked rotor torque : 240 % Breakdown torque : 260 % Insulation class : F Service factor : 1.25 Moment of inertia (J) : 23.3 sq.ft.lb Design : B	Locked rotor time : 25s (cold) 14s (hot) Temperature rise : 80 K Duty cycle : Cont.(S1) Ambient temperature : -20°C to +40°C Altitude : 1000 m.a.s.l. Protection degree : IP55 Cooling method : IC411 - TEFC Mounting : F-1 Rotation ¹ : Both (CW and CCW) Noise level ² : 67.0 dB(A) Starting method : Direct On Line Approx. weight ³ : 922 lb															
<table border="1"> <tr> <td>Output</td> <td>25%</td> <td>50%</td> <td>75%</td> <td>100%</td> </tr> <tr> <td>Efficiency (%)</td> <td>0.000</td> <td>94.5</td> <td>95.0</td> <td>95.4</td> </tr> <tr> <td>Power Factor</td> <td>0.00</td> <td>0.68</td> <td>0.78</td> <td>0.83</td> </tr> </table>	Output	25%	50%	75%	100%	Efficiency (%)	0.000	94.5	95.0	95.4	Power Factor	0.00	0.68	0.78	0.83	Foundation loads Max. traction : 1725 lb Max. compression : 2647 lb
Output	25%	50%	75%	100%												
Efficiency (%)	0.000	94.5	95.0	95.4												
Power Factor	0.00	0.68	0.78	0.83												
Losses at normative operating points (speed;torque), in percentage of rated output power																
P1 (0,9;1,0)	P2 (0,5;1,0)	P3 (0,25;1,0)	P4 (0,9;0,5)	P5 (0,5;0,5)	P6 (0,5;0,25)	P7 (0,25;0,25)										
4.7	3.8	3.5	2.4	1.6	1.1	0.7										
Drive end Bearing type : 6314 C3 Sealing : WSeal Lubrication interval : 12000 h Lubricant amount : 27 g Lubricant type : Mobil Polyrex EM			Non drive end Bearing type : 6314 C3 Sealing : WSeal Lubrication interval : 12000 h Lubricant amount : 27 g													
Notes USABLE @208V 186A SF 1.10 SFA 205A																
This revision replaces and cancel the previous one, which must be eliminated. (1) Looking the motor from the shaft end. (2) Measured at 1m and with tolerance of +3dB(A). (3) Approximate weight subject to changes after manufacturing process. (4) At 100% of full load.				These are average values based on tests with sinusoidal power supply, subject to the tolerances stipulated in NEMA MG-1.												
Rev.	Changes Summary			Performed	Checked	Date										
Performed by																
Checked by					Page	Revision										
Date	07/11/2023				1 / 1											

1 2 3 4 5 6

A

B

C



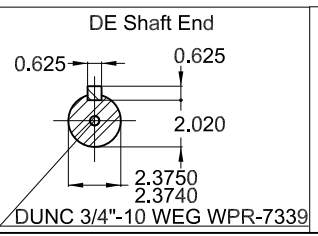
Grounding for leads 25-185 mm² / 3AWG-350MCM

D

E

75 HP 04 Poles 60 Hz A

Without vertical jackscrews
 Color RAL 5009
 Painting plan 203A
 Mounting B3R(D)



ECM		LOC	SUMMARY OF MODIFICATIONS			USERADMIN					00
EXECUTED	USERADMIN		THREE PH. MOTOR W22 NEMA PREM. EFF. FRAME 364/5T IP55 TEFC	EXECUTED CHECKED RELEASED DATE VER		PREVIEW WDD 00					
CHECKED											
RELEASED											
REL. DATE		WMO Jaragua do Sul		Product Engineering	SHEET 1 / 1						



FOR SAFE AREA
Mod. TE1BFOXON
CC029A



For use on 60Hz
Class I, Div 2, Gr A, B, C and D - T3
Class I, Zone 2, IIC - T3
Class II, Div 2, Gr F and G - T4
For use on PWM: Gr. A, B, C, D and F,
VT 1000:1, CT 20:1, 1.00SF - T3A

MODEL 07518ET3E365T-W22

Inverter Duty Motor
Severe Duty

PH3 60Hz Fr. 364/5T 1000m.a.s.l. IP55 TEFC 922lb

V 230/460

A 174/87.2

HP 75

kW 55

SF 1.25

SFA 218/109

RPM 1780

PF 0.83

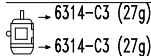
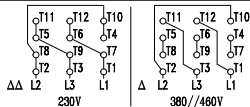
AMB 40°C

INS cl. F DT80K NEMA NOM EFF 95.4%

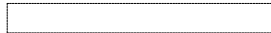
DUTY CONT.

DES B Code G

75HP 55kW 50Hz 380V 106A 1470RPM SF 1.00 EFF 93.6% (IE2)



MOBIL POLYREX EM (12000h)



MADE IN MEXICO
11166657