

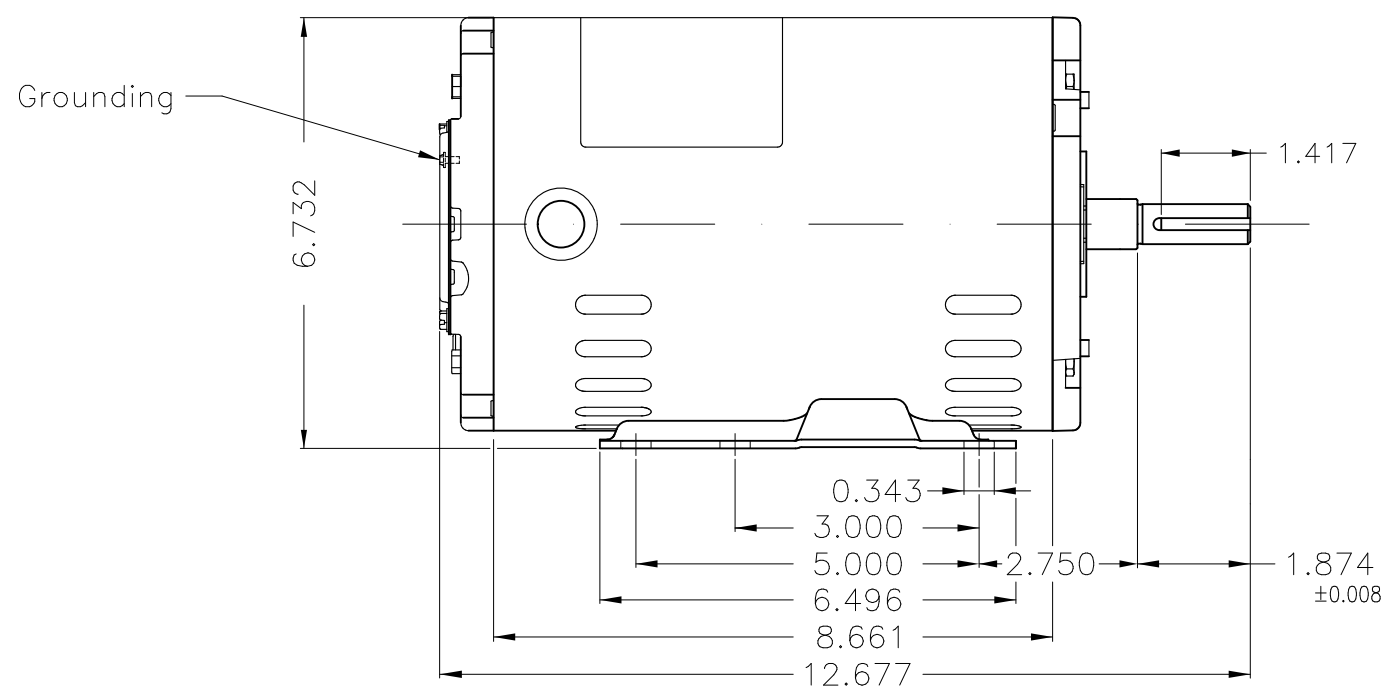
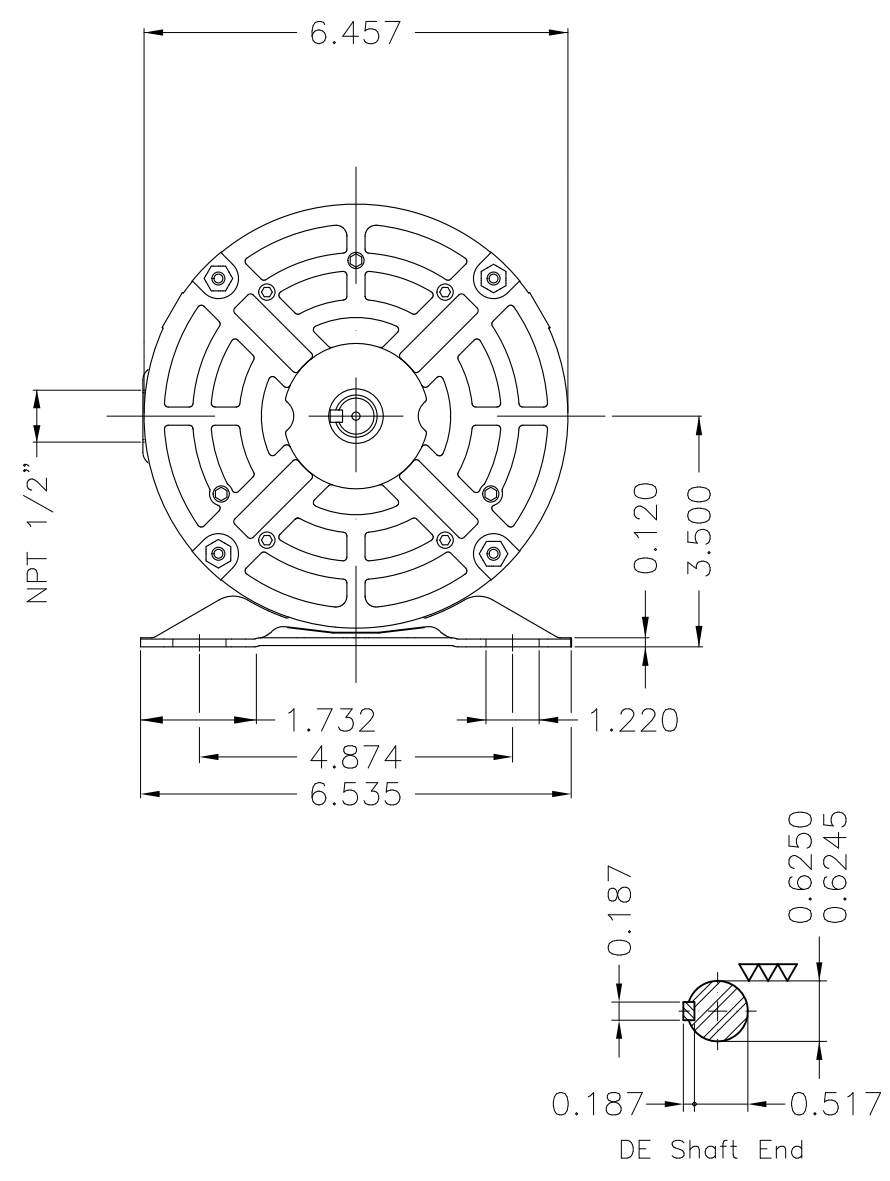
DATA SHEET



Three Phase Induction Motor - Squirrel Cage

Customer :					
Product line : Rolled Steel Premium Efficiency Three-Phase		Product code : 12809667			
		Catalog # : 00158OT3E56-S			
Frame : 56H	Output : 1.5 HP (1.1 kW)	Locked rotor time : 25s (cold) 14s (hot)	Temperature rise : 80 K	Duty cycle : Cont.(S1)	
Poles : 4	Frequency : 60 Hz	Ambient temperature : -20°C to +40°C	Altitude : 1000 m.a.s.l.	Cooling method : IC01 - ODP	
Rated voltage : 230/460 V	Rated current : 4.20/2.10 A	Mounting : F-1	Rotation ¹ : Both (CW and CCW)	Noise level ² : 52.0 dB(A)	
L. R. Amperes : 37.0/18.5 A	LRC : 8.8x(Code L)	Starting method : Direct On Line	Approx. weight ³ : 37.8 lb		
No load current : 2.60/1.30 A	Rated speed : 1760 rpm				
Rated torque : 4.48 ft.lb	Slip : 2.22 %				
Locked rotor torque : 290 %	Breakdown torque : 350 %				
Insulation class : F	Service factor : 1.15				
Moment of inertia (J) : 0.1296 sq.ft.lb	Design : A				
Output	25%	50%	75%	100%	
Efficiency (%)	82.9	84.0	85.5	86.5	
Power Factor	0.30	0.53	0.66	0.76	
Foundation loads					
Max. traction : 162 lb					
Max. compression : 200 lb					
Bearing type :	<u>Drive end</u> 6204 ZZ		<u>Non drive end</u> 6202 ZZ		
Sealing :	Without Bearing Seal		Without Bearing Seal		
Lubrication interval :	-		-		
Lubricant amount :	-		-		
Lubricant type :	Mobil Polyrex EM				
Notes USABLE @208V 4.64A SF 1.00 SFA 4.64A					
This revision replaces and cancel the previous one, which must be eliminated. (1) Looking the motor from the shaft end. (2) Measured at 1m and with tolerance of +3dB(A). (3) Approximate weight subject to changes after manufacturing process. (4) At 100% of full load.			These are average values based on tests with sinusoidal power supply, subject to the tolerances stipulated in NEMA MG-1.		
Rev.	Changes Summary		Performed	Checked	Date
Performed by					
Checked by					
Date	06/11/2023			Page 1 / 1	Revision

A
B
C
D
E



Without coating									
Mounting F-1/B3R(D)									
					USERADMIN	00			
ECM	LOC	SUMMARY OF MODIFICATIONS			EXECUTED	CHECKED	RELEASED	DATE	VER
EXECUTED	USERADMIN	THREE PH. MOTOR ROLLED STEEL PREM. EFF.			PREVIEW		WDD 00		
CHECKED		FRAME 56H IP21 ODP							
RELEASED									
REL. DATE		WMO	Jaragua do Sul	Product Engineering	SHEET	1 / 1			

1.5 HP 04 Poles 60 Hz

A



Dimensions in inches XME A3

**NEMA**
Premium

3PT9



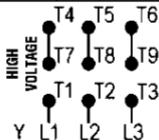
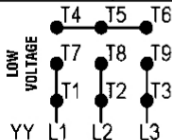
MADE IN MEXICO

MAT: 12809667

W01.T00IC0X0X

MODEL 00158OT3E56-S

PH 3	Hz 60	HP 1.5
FR 56H		kW 1.1
DUTY CONT.		V 230/460
ALT 1000 m.a.s.l		A 4.20/2.10
INS CL F ΔT 80K		SFA 4.83/2.42
AMB 40°C	DES A	SF 1.15
ENCL ODP	CODE L	PF 0.76
		RPM 1760
		NEMA NOM. EFF 86.5%
ALTERNATE RATING: 1.5HP 50Hz 190-220/380-415V SF1.15		
4.94-4.51/2.47-2.39A 1445RPM EFF 83.6% (IE2) IEC 60034-1		
Inverter duty motor For 60Hz use on VPWM 1000:1 VT, 5:1 CT		
DE 6204-ZZ	ODE 6202-ZZ	MOBIL POLYREX EM



T1-BLU T2-WHT
 T3-ORG T4-YEL
 T5-BLK T6-GRY
 T7-PNK T8-RED
 T9-RED BRK

INTERCHANGE ANY TWO LINE WIRES TO REVERSE THE ROTATION

WARNING: Motor must be grounded in accordance with local and national electrical codes to prevent serious electrical shocks. Disconnect power source before servicing unit.



AVERTISSEMENT: Le moteur doit être mis à la terre conformément aux codes électriques locaux et nationaux afin d'éviter tout choc électrique grave. Déconnectez l'alimentation avant l'entretien de la machine.