

DATA SHEET

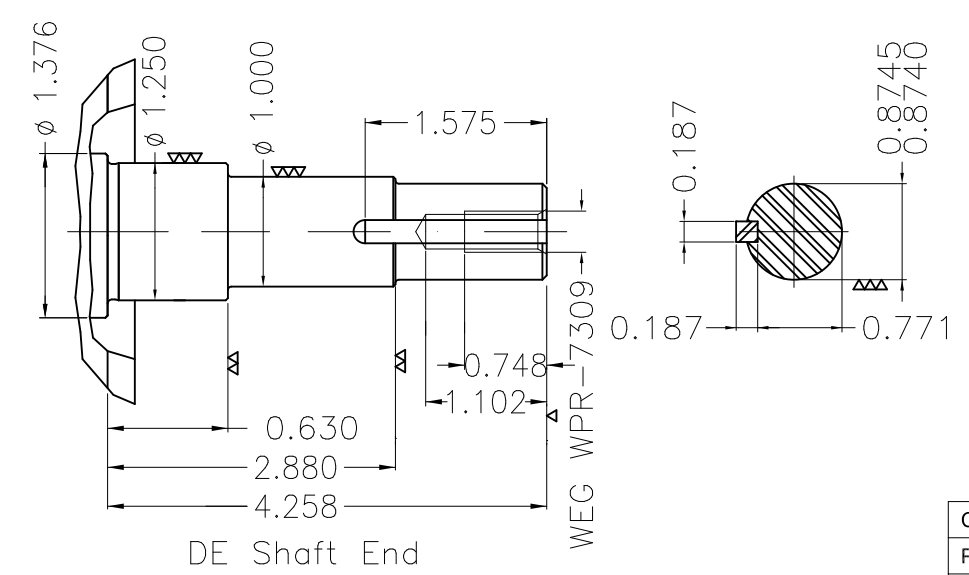
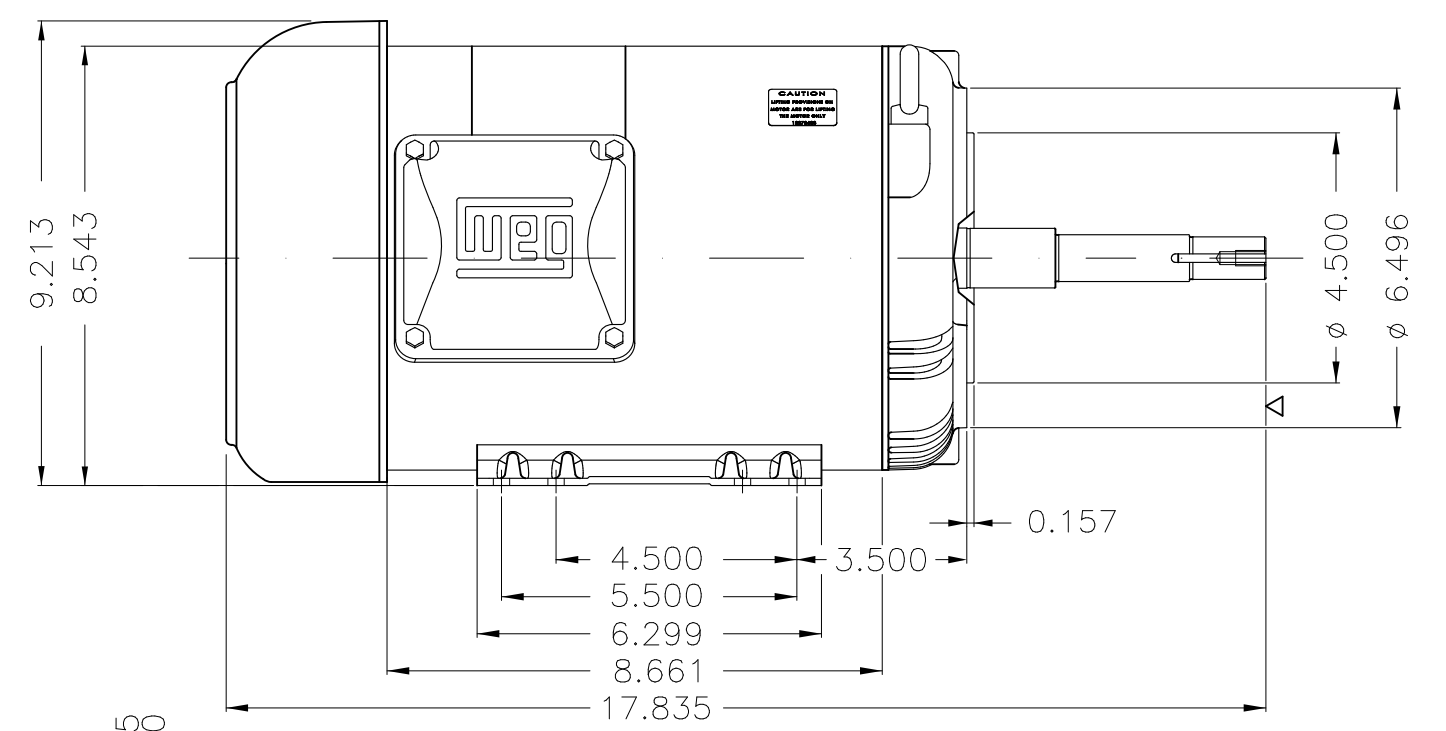
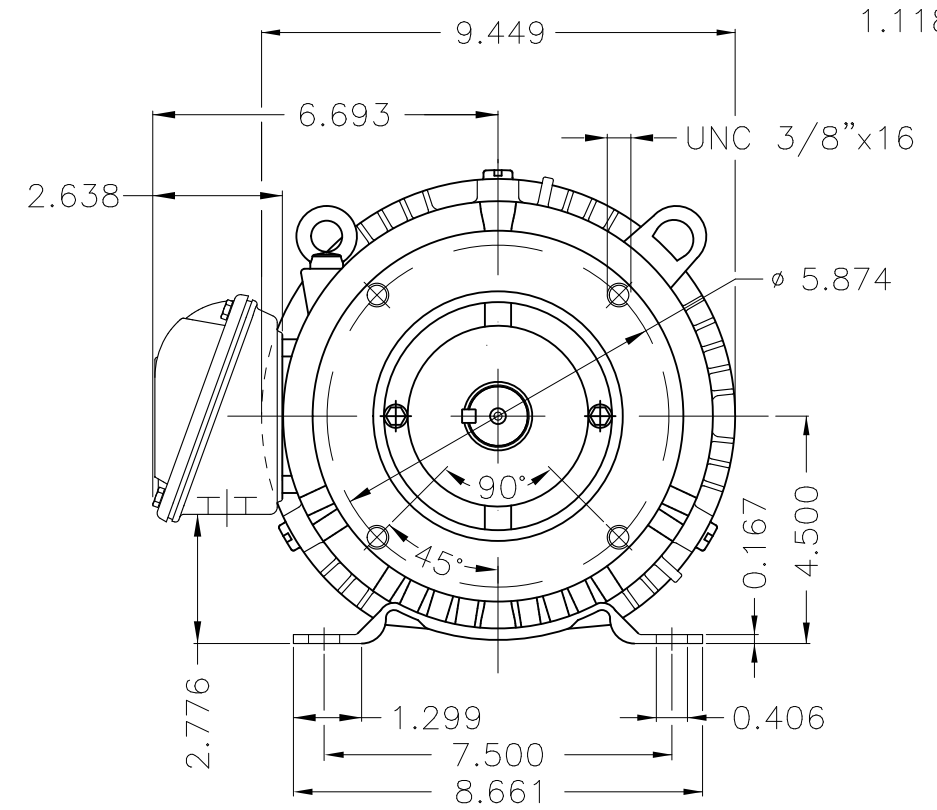
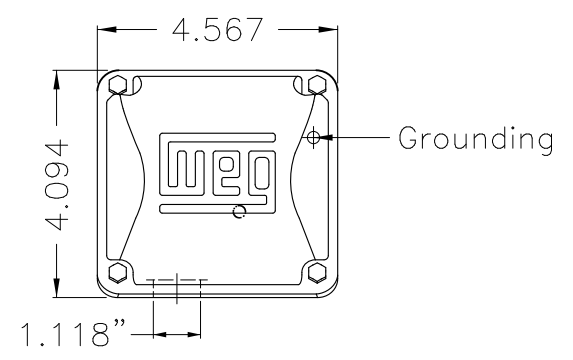


Three Phase Induction Motor - Squirrel Cage

Customer :				
Product line : Rolled Steel JM Pump NEMA Premium Efficiency Three-Phase		Product code : 13346126		
		Catalog # : 00336ET3E182JM-S		
Frame : 182/4JM	Output : 3 HP (2.2 kW)	Poles : 2	Frequency : 60 Hz	Rated voltage : 230/460 V
Rated current : 7.34/3.67 A	L. R. Amperes : 64.6/32.3 A	LRC : 8.8x(Code K)	No load current : 3.22/1.61 A	Rated speed : 3515 rpm
Slip : 2.36 %	Rated torque : 4.48 ft.lb	Locked rotor torque : 220 %	Breakdown torque : 300 %	Insulation class : F
Service factor : 1.15	Moment of inertia (J) : 0.1564 sq.ft.lb	Design : B	Locked rotor time : 39s (cold) 22s (hot)	Temperature rise : 80 K
			Duty cycle : Cont.(S1)	Ambient temperature : -20°C to +40°C
			Altitude : 1000 m.a.s.l.	Protection degree : IP55
			Cooling method : IC411 - TEFC	Mounting : F-1
			Rotation ¹ : Both (CW and CCW)	Noise level ² : 68.0 dB(A)
			Starting method : Direct On Line	Approx. weight ³ : 69.6 lb
Output	25%	50%	75%	100%
Efficiency (%)	83.6	84.0	86.5	86.5
Power Factor	0.44	0.71	0.82	0.87
Foundation loads				
Max. traction : 82 lb				
Max. compression : 152 lb				
Bearing type :	<u>Drive end</u> 6207 ZZ		<u>Non drive end</u> 6205 ZZ	
Sealing :	V'Ring		Without Bearing Seal	
Lubrication interval :	-		-	
Lubricant amount :	-		-	
Lubricant type :	Mobil Polyrex EM			
Notes USABLE @208V 8.12A SF 1.00 SFA 8.12A				
This revision replaces and cancel the previous one, which must be eliminated. (1) Looking the motor from the shaft end. (2) Measured at 1m and with tolerance of +3dB(A). (3) Approximate weight subject to changes after manufacturing process. (4) At 100% of full load.			These are average values based on tests with sinusoidal power supply, subject to the tolerances stipulated in NEMA MG-1.	
Rev.	Changes Summary		Performed	Checked
Performed by			Page 1 / 1	Revision
Checked by				
Date	03/11/2023			

1 2 3 4 5 6

A
B
C
D
E



EUNC 3/8" - 16 WEG WPR-7309

DE Shaft End

Color Munsell N 1 matte black					
Painting plan 207N					
Mounting F-1/B34R(D)					
				USERADMIN	00
ECM	LOC	SUMMARY OF MODIFICATIONS	EXECUTED	CHECKED	RELEASED
EXECUTED	USERADMIN	THREE PH. MOTOR ROLLED STEEL CLOSE COUPLED PUMP IN TYPE NEW PREM. EFF.			
CHECKED		FRAME 182/4JM IP55 TEFC			
RELEASED					
REL. DATE	WMO	Jaragua do Sul	Product Engineering	WDD	00
			SHEET	1 / 1	

3 HP 02 Poles 60 Hz

**NEMA**
Premium3PT9
UL US LISTED
FOR SAFE AREA**SP** US
Energy Verified

MADE IN MEXICO

MAT: 13346126 CC029A

W01.TE0IC0X0N

MODEL 00336ET3E182JM-S

10OCT2023 S/N:

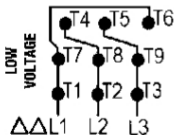
For 60Hz: Class I, Zone 2, IIC
Class I, Div.2, Gr. A,B,C,D - T3
Div 2 Inverter Duty (SF1.00)
CT 2:1/VT 1000:1

PH 3	Hz 60	HP 3.0
FR 182/4JM		KW 2.2
DUTY CONT.		V 230/460
ALT 1000 m.a.s.l		A 7.34/3.67
INS CL F ΔT 80K	IP55	SFA 8.44/4.22
AMB 40°C	DES B	SF 1.15
ENCL TEFC	CODE K	PF 0.87
		RPM 3515
		NEMA NOM. EFF 86.5%

ALTERNATE RATING: 3.0HP	50Hz	190-220/380-415V	SF1.15
8.70-7.68/4.35-4.07A	2885RPM	EFF 85.3%	{IE2} IEC 60034-1

For safe area-Inverter duty motor For 60Hz use on VPWM 1000:1 VT, 10:1 CT

DE 6207-ZZ	ODE 6205-ZZ	MOBIL POLYREX EM
------------	-------------	------------------



T1-BLU T2-WHT
T3-ORG T4-YEL
T5-BLK T6-GRY
T7-PNK T8-RED
T9-RED BRK

INTERCHANGE ANY TWO LINE WIRES TO REVERSE THE ROTATION

WARNING: Motor must be grounded in accordance with local and national electrical codes to prevent serious electrical shocks. Disconnect power source before servicing unit.



AVERTISSEMENT: Le moteur doit être mis à la terre conformément aux codes électriques locaux et nationaux afin d'éviter tout choc électrique grave. Déconnectez l'alimentation avant l'entretien de la machine.

