

DATA SHEET



Single Phase Induction Motor - Squirrel Cage

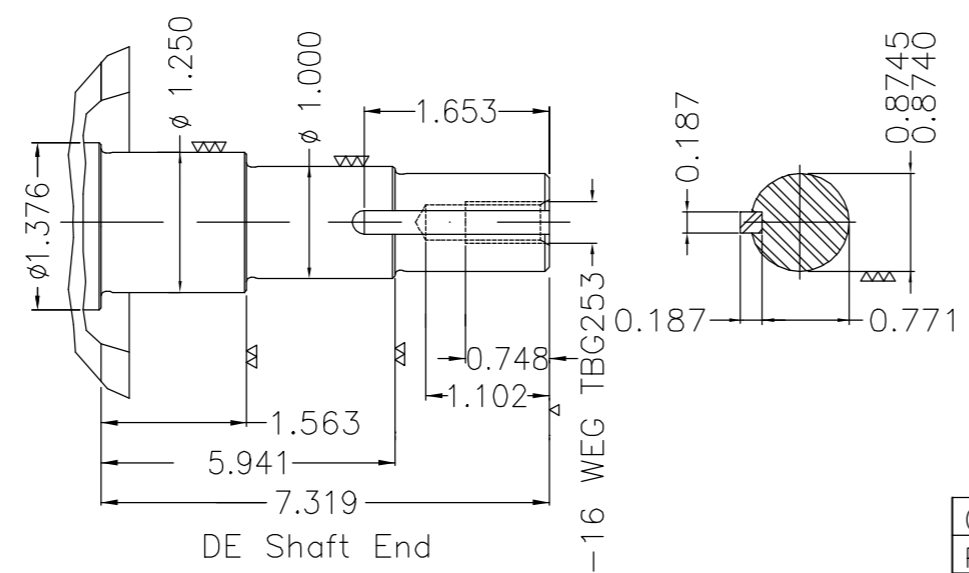
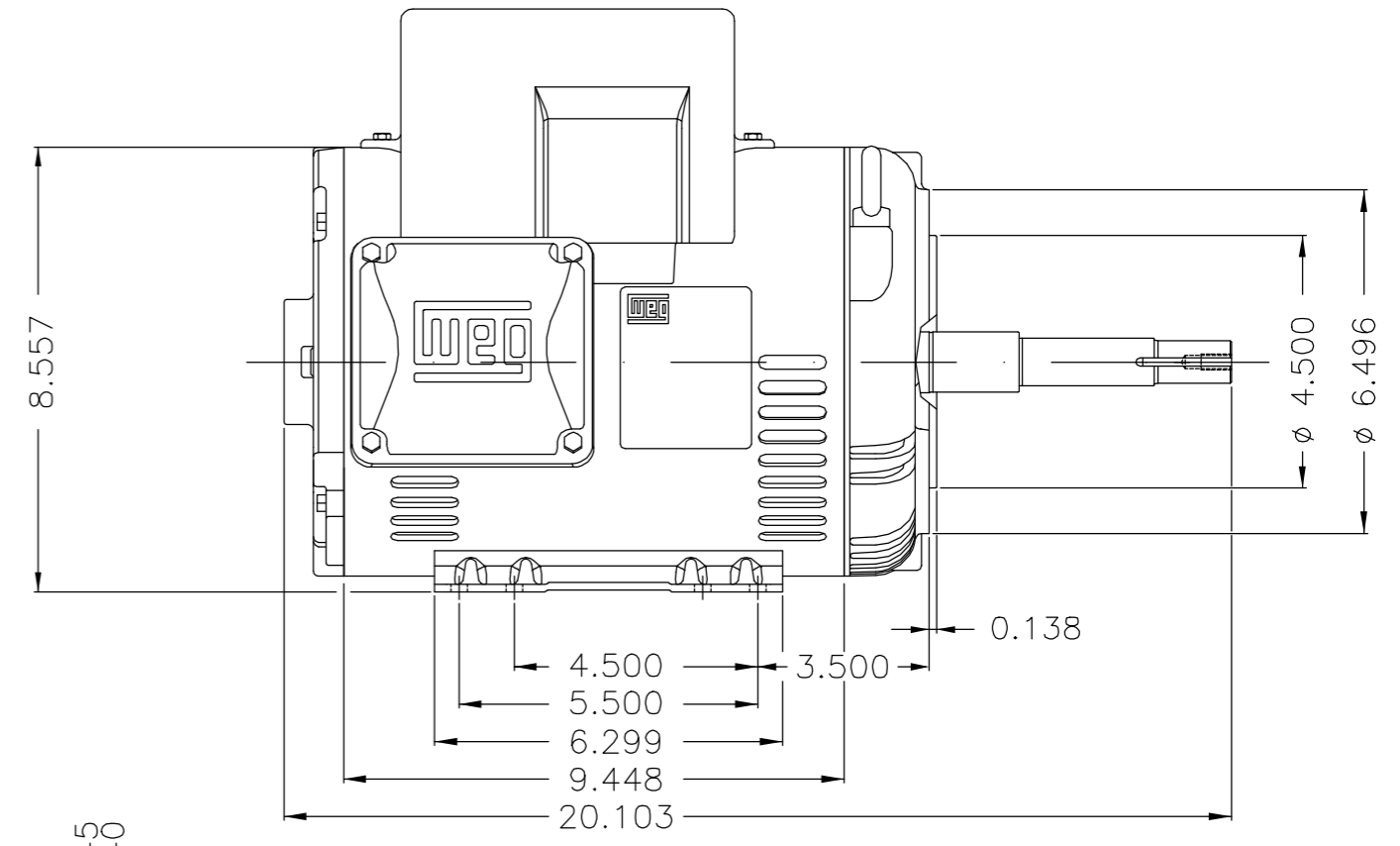
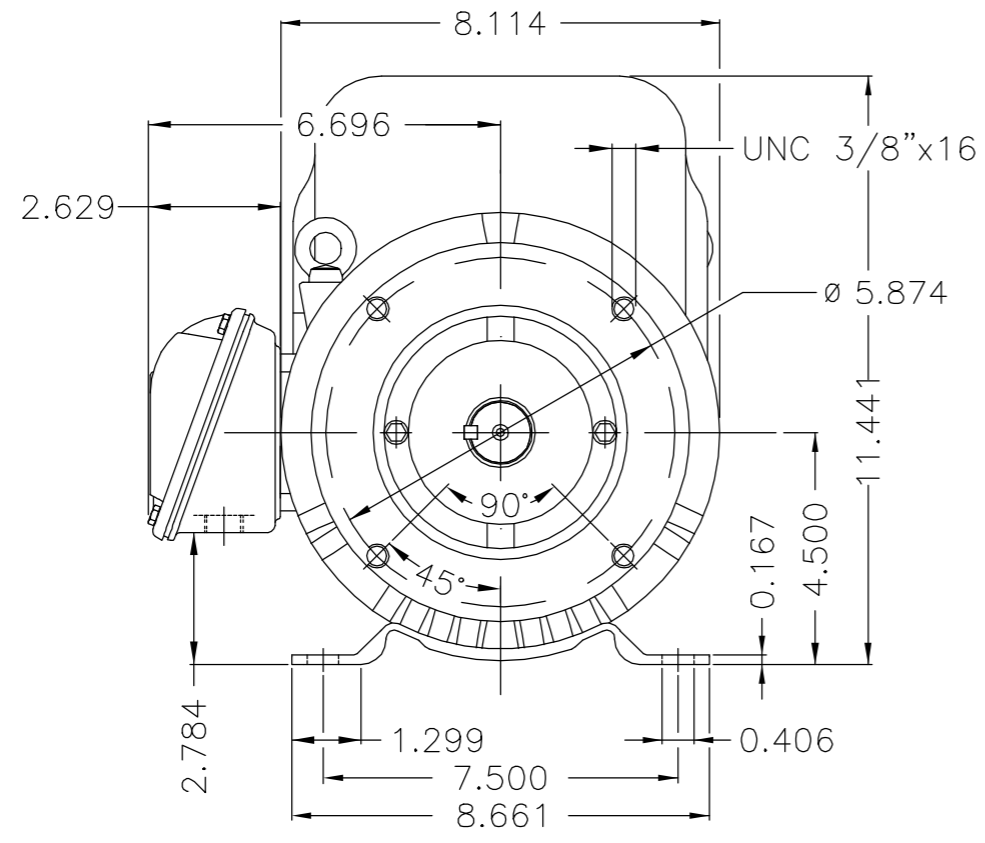
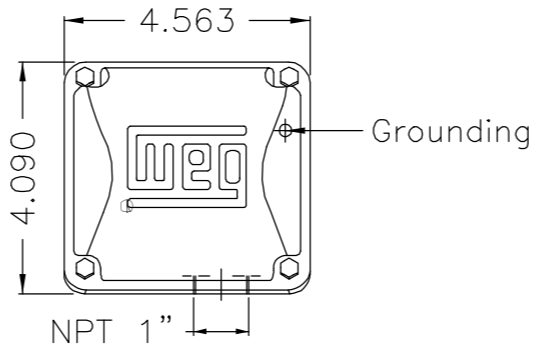
Customer :					
Product line : Rolled Steel JP Pump Single-Phase		Product code : 15194881			
		Catalog # : 00336OS1B182JP-S			
Frame	: 182/4JP	Locked rotor time	: 10s (cold) 6s (hot)		
Output	: 3 HP (2.2 kW)	Temperature rise	: 80 K		
Poles	: 2	Duty cycle	: Cont.(S1)		
Frequency	: 60 Hz	Ambient temperature	: -20°C to +40°C		
Rated voltage	: 115/208-230 V	Altitude	: 1000 m.a.s.l.		
Rated current	: 25.3/14.0-12.7 A	Cooling method	: IC01 - ODP		
L. R. Amperes	: 177/98.0-88.9 A	Mounting	: F-1		
LRC	: 7.0x(Code H)	Rotation ¹	: Both (CW and CCW)		
No load current	: 12.6/5.70-6.30 A	Starting method	: Direct On Line		
Rated speed	: 3510 rpm	Approx. weight ⁹	: 71.7 lb		
Slip	: 2.50 %				
Rated torque	: 4.49 ft.lb				
Locked rotor torque	: 235 %				
Breakdown torque	: 270 %				
Insulation class	: F				
Service factor	: 1.15				
Moment of inertia (J)	: 0.1566 sq.ft.lb				
Design	: L				
Output	25%	50%	75%	100%	
Efficiency (%)	0.000	80.0	83.2	84.0	
Power Factor	0.00	0.76	0.85	0.90	
Foundation loads					
Max. traction : 41 lb					
Max. compression : 113 lb					
		<u>Drive end</u>	<u>Non drive end</u>		
Bearing type	:	6207 ZZ	6205 ZZ		
Sealing	:	Without Bearing Seal	Without Bearing Seal		
Lubrication interval	:	0 h	0 h		
Lubricant amount	:	0 g	0 g		
Lubricant type	:	Mobil Polyrex EM			
Notes					
This revision replaces and cancel the previous one, which must be eliminated. (1) Looking the motor from the shaft end. (2) Measured at 1m and with tolerance of +3dB(A). (3) Approximate weight subject to changes after manufacturing process. (4) At 100% of full load.			These are average values based on tests with sinusoidal power supply, subject to the tolerances stipulated in NEMA MG-1.		
Rev.	Changes Summary		Performed	Checked	Date
Performed by					
Checked by					
Date	06/11/2023			Page	Revision
				1 / 1	

EJE/SHAFT	
ESTÁNDAR/STANDARD	X
OPCIONAL/OPTIONAL	
ESPECIAL/SPECIAL	

Dimensões em polegada
Dimensions in inches

PRELIMINARY DOCUMENT
Not to be used for installation purposes.

THIS IS AN UPDATED REVISION, THE PREVIOUS ONE MUST BE DISREGARDED.



EUNC 3/8"-16 WEG TBG253

Color Munsell N 1 negro mate / Color Munsell N 1 matte black

Plan de pintura 207N / Painting plan 207N

Forma constructiva F-1/B34R(D) / Mounting F-1/B34R(D)

WEG ELECTRIC CORPORATION - WEC

500002066143		According to claim 419093855	ALVAREZZ	MORALESR	MORALESR	28.01.2022	01
500001677030		NEW DOCUMENT	CESTRELLA	HERNANDEZA	HERNANDEZA	04.11.2019	00
ECM	LOC	SUMMARY OF MODIFICATIONS	EXECUTED	CHECKED	RELEASED	DATE	VER
EXECUTED	CESTRELLA	SINGLE PHASE MOTOR OPEN ROLLED STEEL FRAME 182/4JP ODP CLOSE COUPLED PUMP JP TYPE	10007118582				
CHECKED	HERNANDEZA		000	01			
RELEASED	HERNANDEZA						
REL DT	04.11.2019	WMX	Huehuetoca	Product Engineering	SHEET	1 / 1	

3 HP 02 Poles 60Hz 115/208-230V 415809783

UNCONTROLLED COPY RELEASED ZME A3