

# DATA SHEET

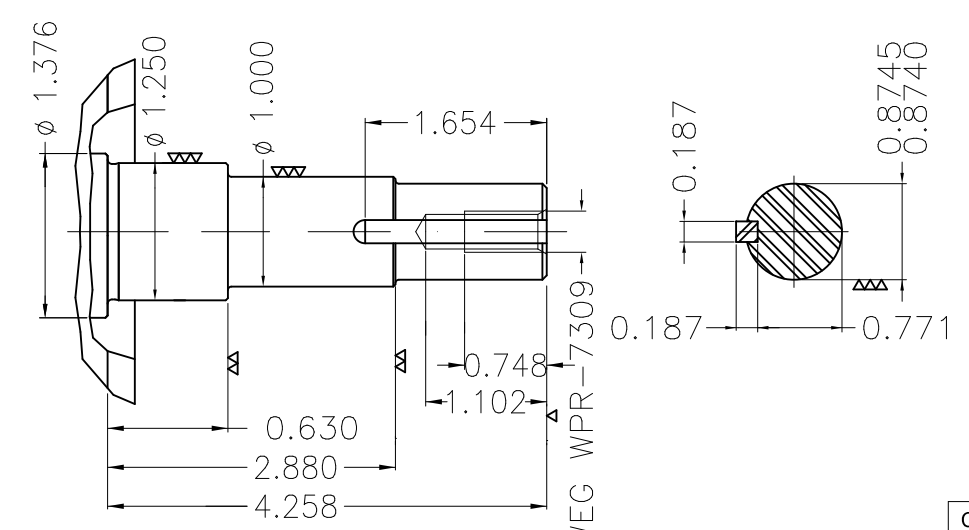
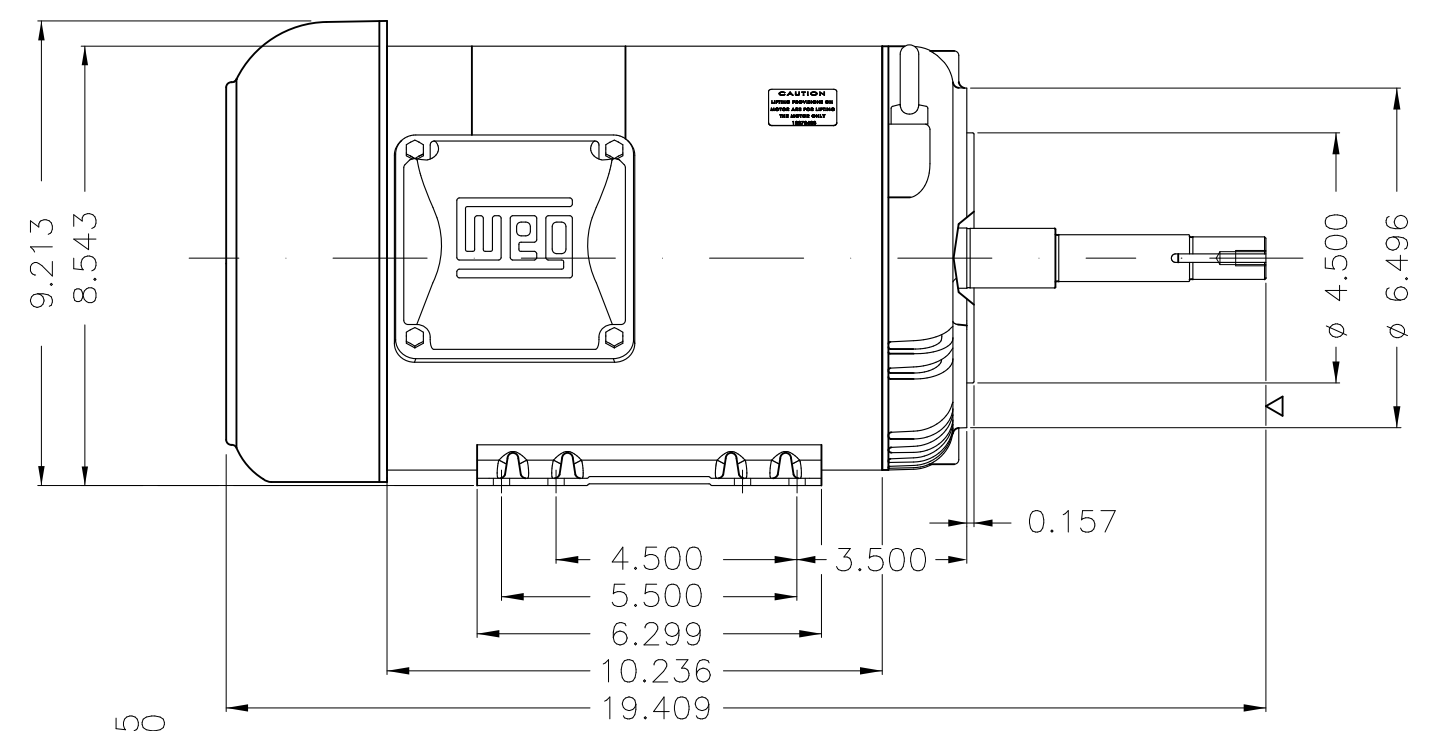
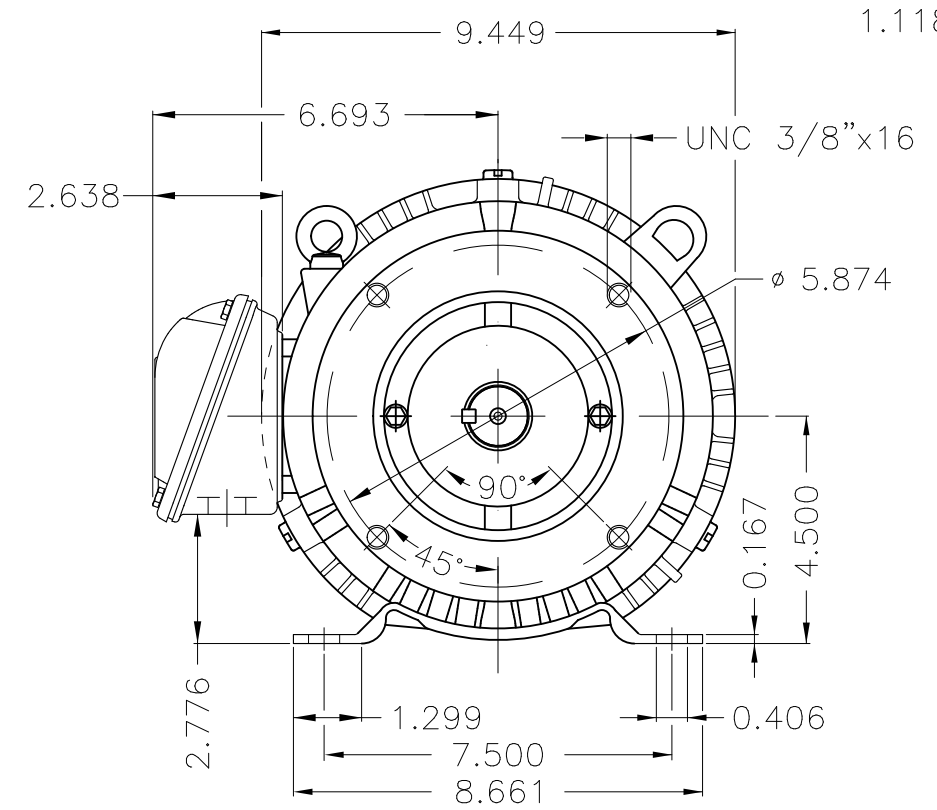
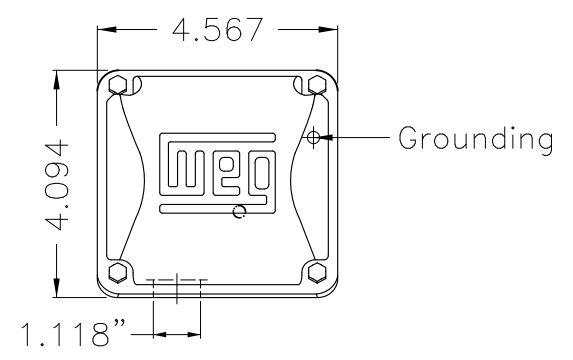


## Three Phase Induction Motor - Squirrel Cage

Customer :				
Product line : Rolled Steel JM Pump NEMA Premium Efficiency Three-Phase		Product code : 13393200		
		Catalog # : 00536ET3E184JM-S		
Frame : 182/4JM	Output : 5 HP (3.7 kW)	Poles : 2	Frequency : 60 Hz	Rated voltage : 230/460 V
Rated current : 11.8/5.90 A	L. R. Amperes : 92.0/46.0 A	LRC : 7.8x(Code J)	No load current : 4.40/2.20 A	Rated speed : 3500 rpm
Slip : 2.78 %	Rated torque : 7.50 ft.lb	Locked rotor torque : 220 %	Breakdown torque : 300 %	Insulation class : F
Service factor : 1.15	Moment of inertia (J) : 0.2079 sq.ft.lb	Design : B	Locked rotor time : 30s (cold) 17s (hot)	Temperature rise : 80 K
			Duty cycle : Cont.(S1)	Ambient temperature : -20°C to +40°C
			Altitude : 1000 m.a.s.l.	Protection degree : IP55
			Cooling method : IC411 - TEFC	Mounting : F-1
			Rotation <sup>1</sup> : Both (CW and CCW)	Noise level <sup>2</sup> : 68.0 dB(A)
			Starting method : Direct On Line	Approx. weight <sup>3</sup> : 89.3 lb
Output	25%	50%	75%	100%
Efficiency (%)	87.2	87.5	88.5	88.5
Power Factor	0.49	0.76	0.85	0.89
Foundation loads				
Max. traction : 130 lb				
Max. compression : 219 lb				
Bearing type :	<u>Drive end</u>		<u>Non drive end</u>	
Sealing :	6207 ZZ		6205 ZZ	
Lubrication interval :	V'Ring		V'Ring	
Lubricant amount :	-		-	
Lubricant type :	Mobil Polyrex EM			
Notes				
USABLE @208V 13.1A SF 1.00 SFA 13.1A				
This revision replaces and cancel the previous one, which must be eliminated. (1) Looking the motor from the shaft end. (2) Measured at 1m and with tolerance of +3dB(A). (3) Approximate weight subject to changes after manufacturing process. (4) At 100% of full load.			These are average values based on tests with sinusoidal power supply, subject to the tolerances stipulated in NEMA MG-1.	
Rev.	Changes Summary		Performed	Checked
Performed by				
Checked by				
Date	06/11/2023		Page	Revision
			1 / 1	

1 2 3 4 5 6

A  
B  
C  
D  
E



EUNC 3/8" - 16 WEG WPR-7309

DE Shaft End

Color Munsell N 1 matte black									
Painting plan 207N									
Mounting F-1/B34R(D)									
					USERADMIN	00			
ECM	LOC	SUMMARY OF MODIFICATIONS			EXECUTED	CHECKED	RELEASED	DATE	VER
EXECUTED	USERADMIN	THREE PH. MOTOR ROLLED STEEL CLOSE COUPLED PUMP IN TYPE NEW PREM. EFF.							
CHECKED		FRAME 182/4JM IP55 TEFC							
RELEASED									
REL. DATE		WMO	Jaragua do Sul	Product Engineering	WDD	00			
					SHEET	1 / 1			

5 HP 02 Poles 60 Hz

**NEMA**  
**Premium**3PT9  
**UL** US LISTED  
FOR SAFE AREA**SP** US  
Energy Verified

MADE IN MEXICO

MAT: 13393200 CC029A

W01.TE0IC0X0N

MODEL 00536ET3E184JM-S

03NOV2023 S/N:

For 60Hz: Class I, Zone 2, IIC

Class I, Div.2, Gr. A,B,C,D - T3

Div 2 Inverter Duty (SF1.00)

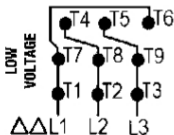
CT 2:1/VT 1000:1

PH 3	Hz 60	HP 5.0
FR 182/4JM		KW 3.7
DUTY CONT.		V 230/460
ALT 1000 m.a.s.l		A 11.8/5.90
INS CL F ΔT 80K	IP55	SFA 13.6/6.79
AMB 40°C	DES B	SF 1.15
ENCL TEFC	CODE J	PF 0.89
		RPM 3500
		NEMA NOM. EFF 88.5%

ALTERNATE RATING: 5.0HP	50Hz	190-220/380-415V	SF1.00
14.3-12.4/7.17-6.59A	2860RPM	EFF 85.2%	(IE1) IEC 60034-1

For safe area-Inverter duty motor For 60Hz use on VPWM 1000:1 VT, 10:1 CT

DE 6207-ZZ	ODE 6205-ZZ	MOBIL POLYREX EM
------------	-------------	------------------



T1-BLU T2-WHT  
T3-ORG T4-YEL  
T5-BLK T6-GRY  
T7-PNK T8-RED  
T9-RED BRK

INTERCHANGE ANY TWO LINE WIRES TO REVERSE THE ROTATION

**WARNING:** Motor must be grounded in accordance with local and national electrical codes to prevent serious electrical shocks. Disconnect power source before servicing unit.



**AVERTISSEMENT:** Le moteur doit être mis à la terre conformément aux codes électriques locaux et nationaux afin d'éviter tout choc électrique grave. Déconnectez l'alimentation avant l'entretien de la machine.

