

DATA SHEET

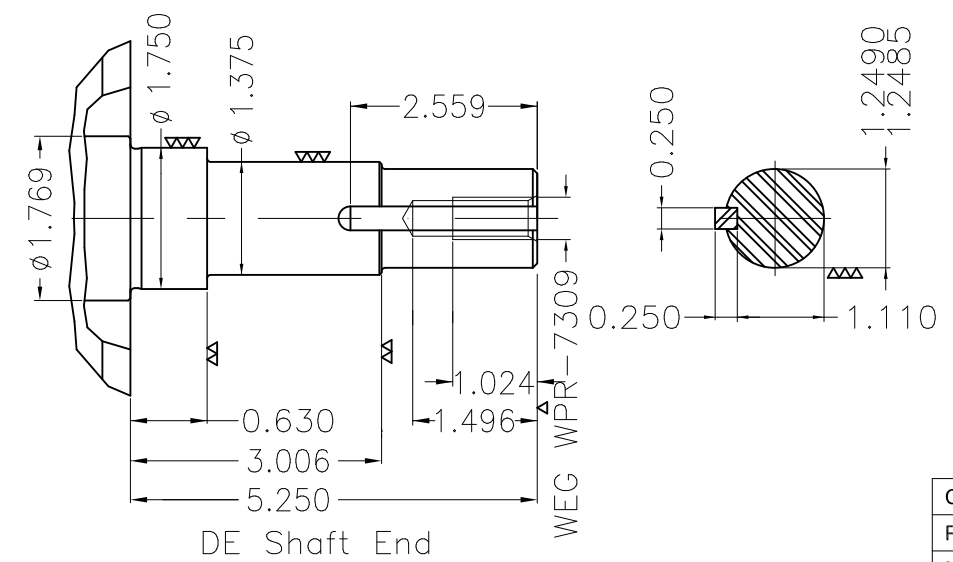
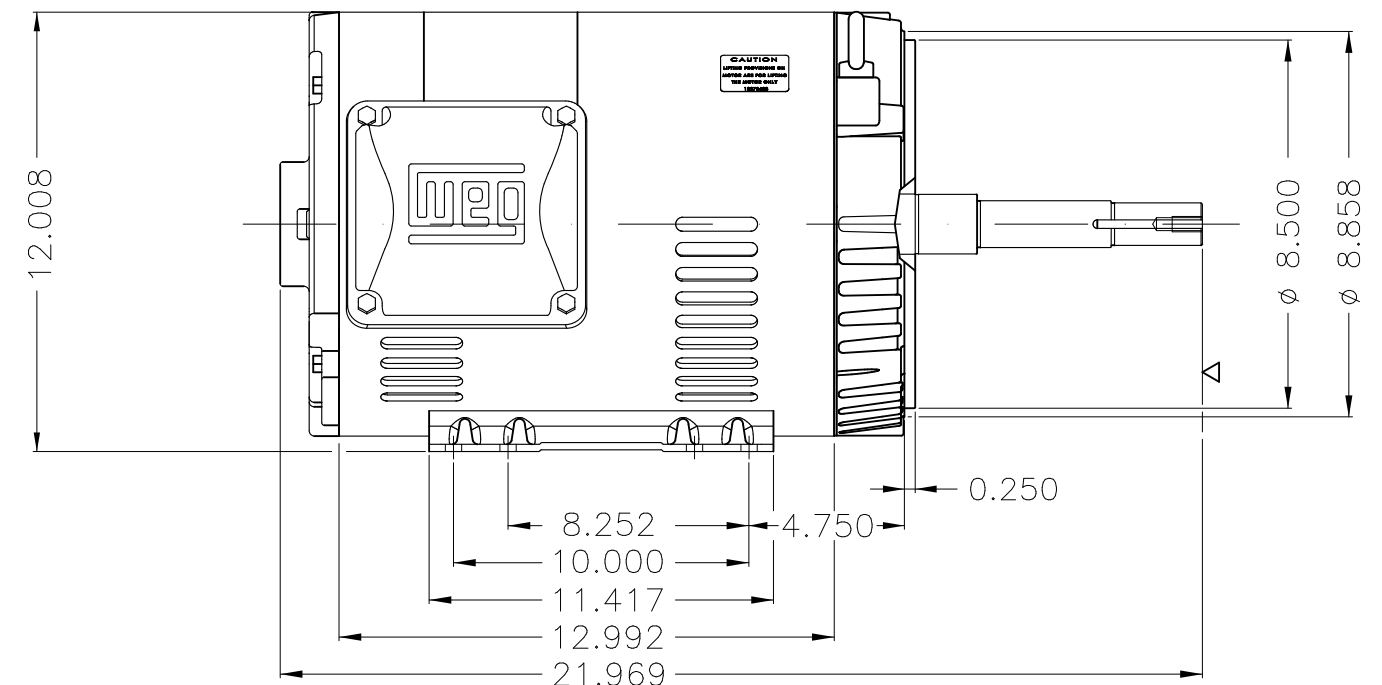
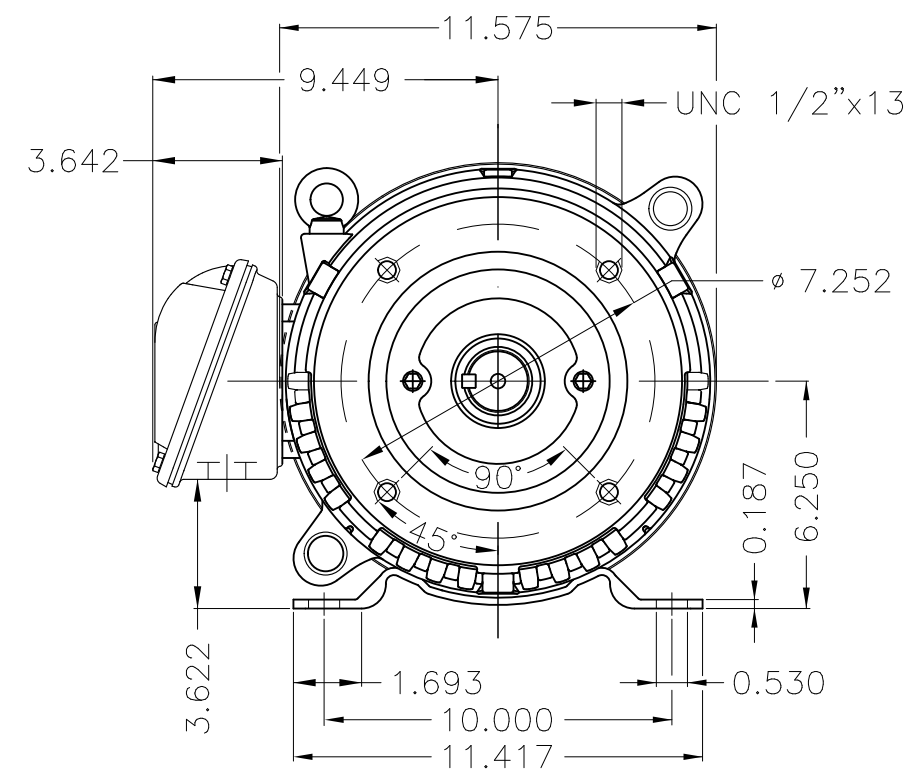
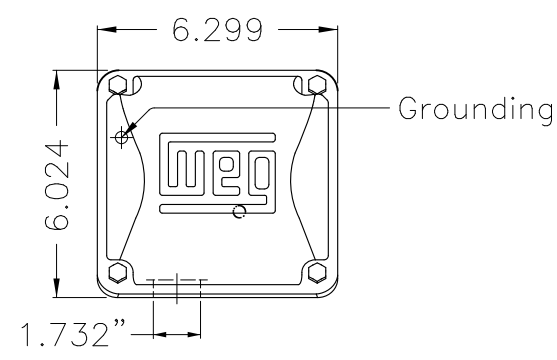


Three Phase Induction Motor - Squirrel Cage

Customer :					
Product line : Rolled Steel JM Pump NEMA Premium Efficiency Three-Phase		Product code : 12691267			
		Catalog # : 02036OT3E254JM-S			
Frame : 254/6JM	Output : 20 HP (15 kW)	Poles : 2	Frequency : 60 Hz	Rated voltage : 230/460 V	
Rated current : 47.6/23.8 A	L. R. Amperes : 286/143 A	LRC : 6.0x(Code G)	No load current : 17.0/8.50 A	Rated speed : 3525 rpm	
Slip : 2.08 %	Rated torque : 29.8 ft.lb	Locked rotor torque : 180 %	Breakdown torque : 240 %	Insulation class : F	
Service factor : 1.15	Moment of inertia (J) : 0.7848 sq.ft.lb	Design : B	Locked rotor time : 23s (cold) 13s (hot)	Temperature rise : 80 K	
			Duty cycle : Cont.(S1)	Ambient temperature : -20°C to +40°C	
			Altitude : 1000 m.a.s.l.	Cooling method : IC01 - ODP	
			Mounting : F-1	Rotation ¹ : Both (CW and CCW)	
			Noise level ² : 70.0 dB(A)	Starting method : Direct On Line	
			Approx. weight ³ : 184 lb		
Output	25%	50%	75%	100%	
Efficiency (%)	90.0	90.2	91.0	91.0	
Power Factor	0.49	0.76	0.83	0.87	
Foundation loads					
Max. traction : 306 lb					
Max. compression : 490 lb					
Bearing type :	<u>Drive end</u> 6309 Z C3		<u>Non drive end</u> 6208 Z C3		
Sealing :	Without Bearing Seal		Without Bearing Seal		
Lubrication interval :	20000 h		20000 h		
Lubricant amount :	13 g		8 g		
Lubricant type :	Mobil Polyrex EM				
Notes USABLE @208V 52.6A SF 1.00 SFA 52.6A					
This revision replaces and cancel the previous one, which must be eliminated. (1) Looking the motor from the shaft end. (2) Measured at 1m and with tolerance of +3dB(A). (3) Approximate weight subject to changes after manufacturing process. (4) At 100% of full load.			These are average values based on tests with sinusoidal power supply, subject to the tolerances stipulated in NEMA MG-1.		
Rev.	Changes Summary		Performed	Checked	Date
Performed by					
Checked by					
Date	06/11/2023			Page 1 / 1	Revision

1 2 3 4 5 6

A
B
C
D
E



EUNC 1/2"-13 WEG WPR-7309

DE Shaft End

Color Munsell N 1 matte black									
Painting plan 207N									
Mounting F-1/B34R(D)									
					USERADMIN	00			
ECM	LOC	SUMMARY OF MODIFICATIONS			EXECUTED	CHECKED	RELEASED	DATE	VER
EXECUTED	USERADMIN	THREE PH. MOTOR ROLLED STEEL CLOSE COUPLED PUMP IN TYPE NEW PREM. EFF.							
CHECKED		FRAME 254/6JM IP21 ODP							
RELEASED									
REL. DATE		WMO	Jaragua do Sul	Product Engineering	WDD	00			
					SHEET	1 / 1			

20 HP 02 Poles 60 Hz



Dimensions in inches XME A3



MADE IN MEXICO

MAT: 12691267 CC029A

W01.T00IC0X0N

MODEL 020360T3E254JM-S

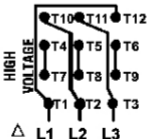
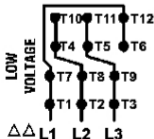
26SEP2023 S/N:

PH 3	Hz 60	HP 20
FR 254/6JM		kW 15
DUTY CONT.		V 230/460
ALT 1000 m.a.s.l		A 47.6/23.8
INS CL F ΔT 80K		SFA 54.7/27.4
AMB 40°C	DES B	SF 1.15
ENCL ODP	CODE G	PF 0.87
		RPM 3525
		NEMA NOM. EFF 91.0%

ALTERNATE RATING: 20HP	50Hz	190-220/380-415V	SF1.00
58.0-50.4/29.0-26.7A	2895RPM	EFF 87.2%	IEC 60034-1

Inverter duty motor For 60Hz use on VPWM 1000:1 VT, 3:1 CT

DE 6309-Z-C3	ODE 6208-Z-C3	MOBIL POLYREX EM	20000h
--------------	---------------	------------------	--------



- T1-BLU T2-WHT
- T3-ORG T4-YEL
- T5-BLK T6-GRY
- T7-PNK T8-RED
- T9-RED BRK
- T10-CURRY
- T11-GRN T12-VLT

INTERCHANGE ANY TWO LINE WIRES TO REVERSE THE ROTATION



WARNING: Motor must be grounded in accordance with local and national electrical codes to prevent serious electrical shocks. Disconnect power source before servicing unit.



AVERTISSEMENT: Le moteur doit être mis à la terre conformément aux codes électriques locaux et nationaux afin d'éviter tout choc électrique grave. Déconnectez l'alimentation avant l'entretien de la machine.