



# Technical Data - Pump

## Vertical Multistage Pump Nema - SBN 120-2-1

Revision no.

Page:  
 1

Receiver

From

Company name  
 Respons. Department  
 Person in charge  
 Phone number  
 Fax no  
 E-mail address



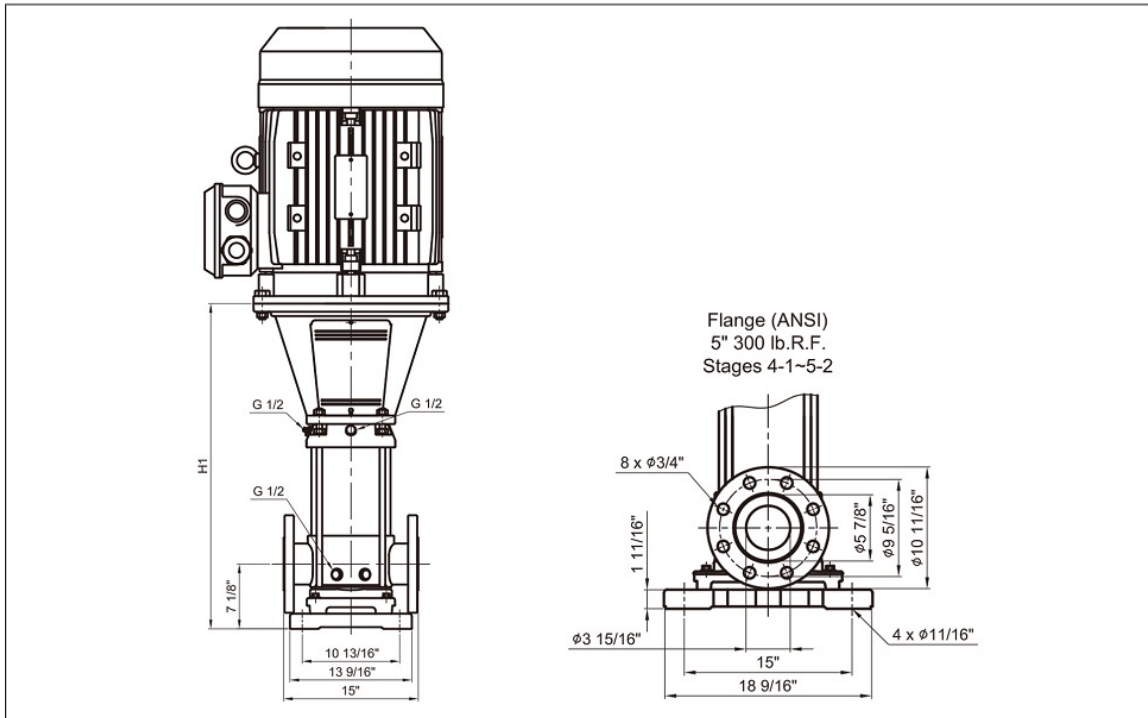


**Pump Brand: Gol Pumps**  
**Model: SBN 120-2-1**

**Motor Brand: WEG**  
**Model: 04036OT3E286TSC-W40**



### Pump Dimensions:



Pump Installation Size (inch)				
ANSI Flange	Port Size		NEMA Frame TEFC motors	Net Weight
	DNA	DNM		Lb.
H1	5	5	284/6TSC	237.3

Project	Project ID	Created by	Created on	Last update
---------	------------	------------	------------	-------------



# Performance Curves

## Vertical Multistage Pump Nema - SBN 120-2-1

Revision no.

Page:  
2

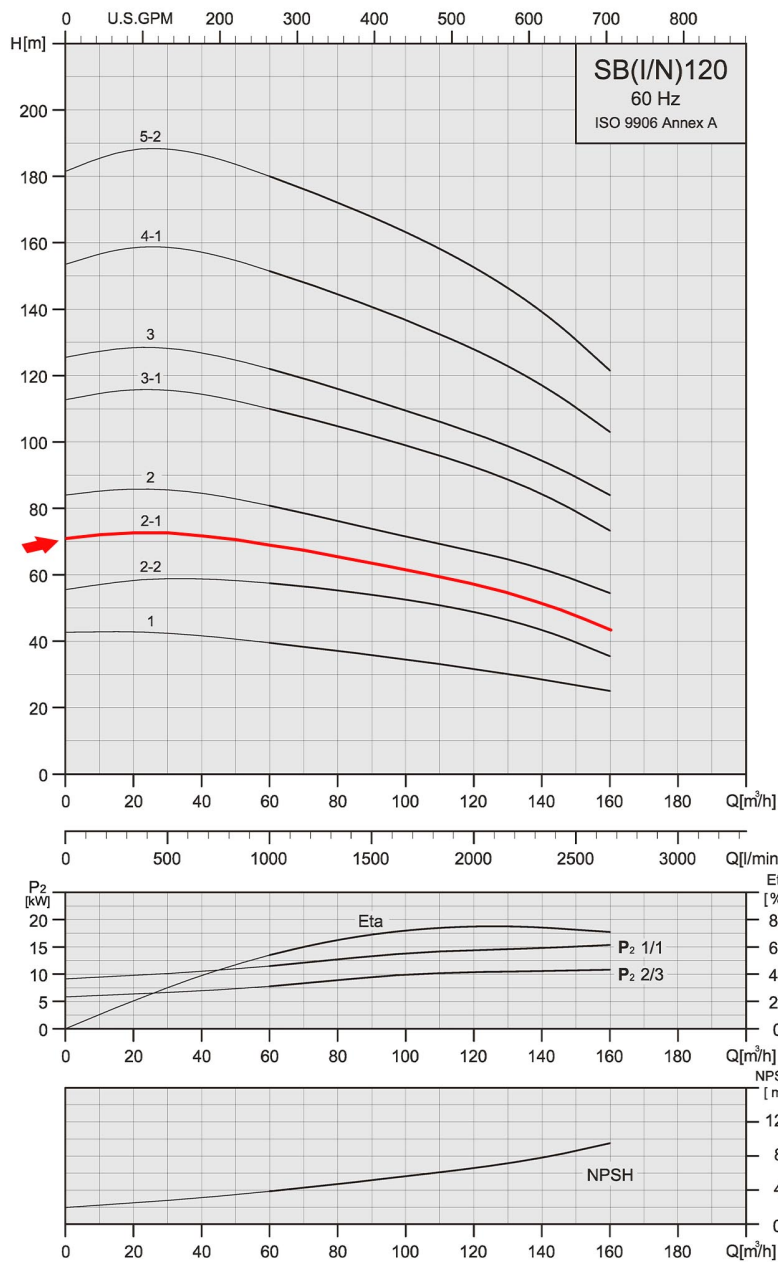
Receiver

From

Company name  
Respons. Department  
Person in charge  
Phone number  
Fax no  
E-mail address



Model	Port Size (in.)		Flow	HP	Volts	Amps	Phase	Max. Head	Max. Suction	Max. PSI
	DNA	DNM	GPH		V	I Max.	Ph	Ft.	Ft.	
<b>SBN 120-2-1</b>	5	5	42000	40	230/460	93.7/46.8	Three	230	17	101



Project	Project ID	Created by	Created on	Last update
---------	------------	------------	------------	-------------





## Technical Data - Motor

### Vertical Multistage Pump Nema - SBN 120-2-1

Revision no.

Page:  
4

	Receiver	From
Company name		
Respons. Department		
Person in charge		
Phone number		
Fax no		
E-mail address		

Product line : W40 NEMA Premium Efficiency Three-Phase      Product code : 14496989  
 Catalog # : 04036OT3E286TSC-W40

Frame : 284/6TSC  
 Output : 40 HP (30 kW)  
 Poles : 2  
 Frequency : 60 Hz  
 Rated voltage : 230/460 V  
 Rated current : 93.7/46.8 A  
 L. R. Amperes : 609/304 A  
 LRC : 6.5x(Code G)  
 No load current : 30.8/15.4 A  
 Rated speed : 3540 rpm  
 Slip : 1.67 %  
 Rated torque : 59.3 ft.lb  
 Locked rotor torque : 190 %  
 Breakdown torque : 240 %  
 Insulation class : F  
 Service factor : 1.25  
 Moment of inertia (J) : 2.02 sq.ft.lb  
 Design : B

Locked rotor time : 14s (cold) 8s (hot)  
 Temperature rise : 80 K  
 Duty cycle : Cont.(S1)  
 Ambient temperature : -20°C to +40°C  
 Altitude : 1000 m.a.s.l.  
 Protection degree : IP23  
 Cooling method : IC01 - ODP  
 Mounting : F-1  
 Rotation<sup>1</sup> : Both (CW and CCW)  
 Noise level<sup>2</sup> : 73.0 dB(A)  
 Starting method : Direct On Line  
 Approx. weight<sup>3</sup> : 346 lb

Output	25%	50%	75%	100%
Efficiency (%)	91.5	91.7	92.4	92.4
Power Factor	0.51	0.76	0.84	0.87

Foundation loads  
 Max. traction  
 Max. compression

	<u>Drive end</u>	<u>Non drive end</u>
Bearing type	6311 Z C3	6211 Z C3
Sealing	Without Bearing Seal	Without Bearing Seal
Lubrication interval	20000 h	20000 h
Lubricant amount	18 g	11 g
Lubricant type	Mobil Polyrex EM	

Notes:  
 USABLE @208V 104A SF 1.15 SFA 119A

This revision replaces and cancel the previous one, which must be eliminated.  
 (1) Looking the motor from the shaft end.  
 (2) Measured at 1m and with tolerance of +3dB(A).  
 (3) Approximate weight subject to changes after manufacturing process.  
 (4) At 100% of full load.

These are average values based on tests with sinusoidal power supply, subject to the tolerances stipulated in NEMA MG-1.

Project	Project ID	Created by	Created on	Last update



# Dimensions and Nameplate

## Vertical Multistage Pump Nema - SBN 120-2-1

Revision no.

Page:  
5

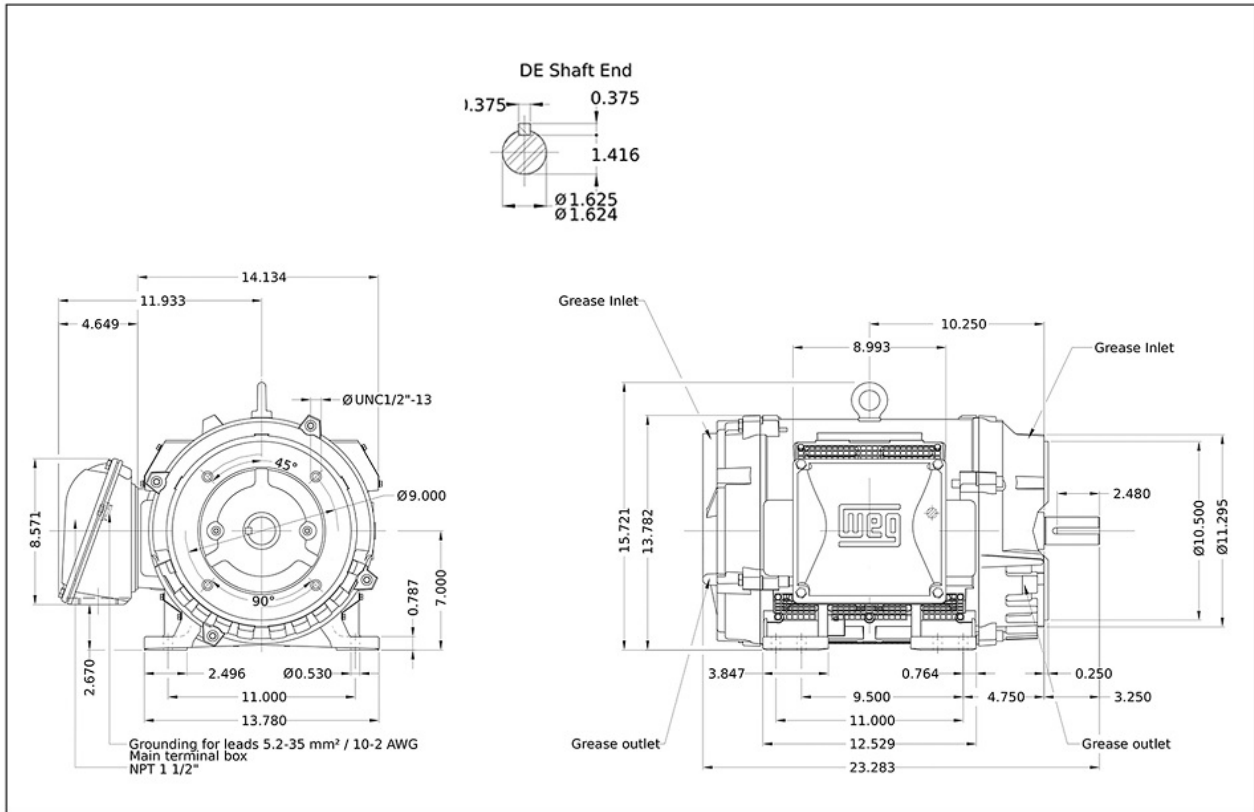
Receiver

From

Company name  
Respons. Department  
Person in charge  
Phone number  
Fax no  
E-mail address

--	--

### Motor Dimensions:



### Motor Nameplate:



MODEL 040360T3E286TSC-W40

Inverter Duty Motor  
IEC 60034-1

60Hz: For use on PWM: VT 1000:1, CT 3:1, 1.00SF

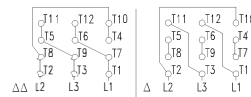


Mod.T01#FOXON  
CC029A

MADE IN BRAZIL  
14496989

PH3 Fr. 284/6TSC DUTY CONT. ODP(IC01) IP23 DES B(N) Code G  
346lb 1000m.a.s.l. INS cl. F DT 80K AMB 40°C SF 1.00//1.25

V	Hz	kW	HP	RPM	A	SFA	PF	IE code	NEMA NOM EFF			
									$\eta$ 100%/75%/50%			
230Δ	460Δ	60	30	40	3540	93.7	46.8	117	58.5	0.87	IE3	92.4/92.4/91.7
380Δ	-	50	22	30	2950	41.9	-	41.9	-	0.86	IE3	92.8/91.4/90.0
-	-	-	-	-	-	-	-	-	-	-	-	-



6311-Z-C3 (18g)

6211-Z-C3 (11g)

MOBIL POLYREX EM (20000h)

Project

Project ID

Created by

Created on

Last update