



Technical Data - Pump

Vertical Multistage Pump Nema - SBN 150-3

Revision no.

Page:

1

Receiver

From

 Company name
 Respons. Department
 Person in charge
 Phone number
 Fax no
 E-mail address

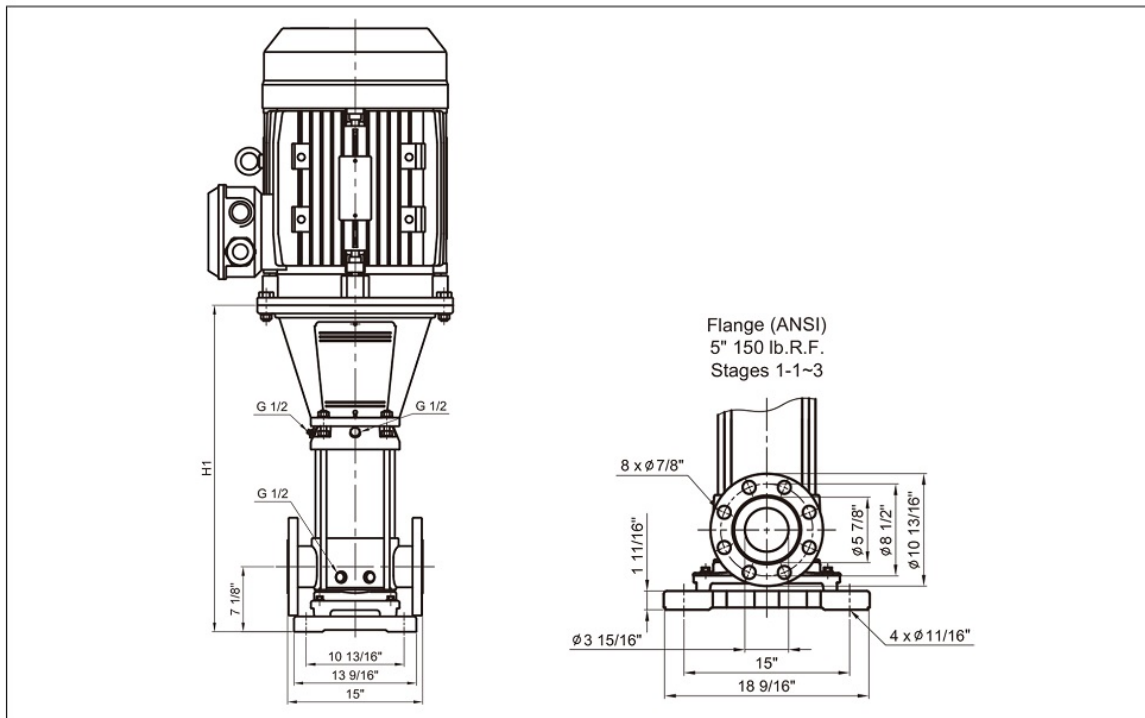


Pump Brand: Gol Pumps
Model: SBN 150-3

Motor Brand: WEG
Model: 10036ET3E405TSC-W22



Pump Dimensions:



Pump Installation Size (inch)				
ANSI Flange	Port Size		NEMA Frame TEFC motors	Net Weight
	DNA	DNM		Lb.
H1	5	5	404/5TS	364.2

Project

Project ID

Created by

Created on

Last update



Performance Curves

Vertical Multistage Pump Nema - SBN 150-3

Revision no.

Page:
2

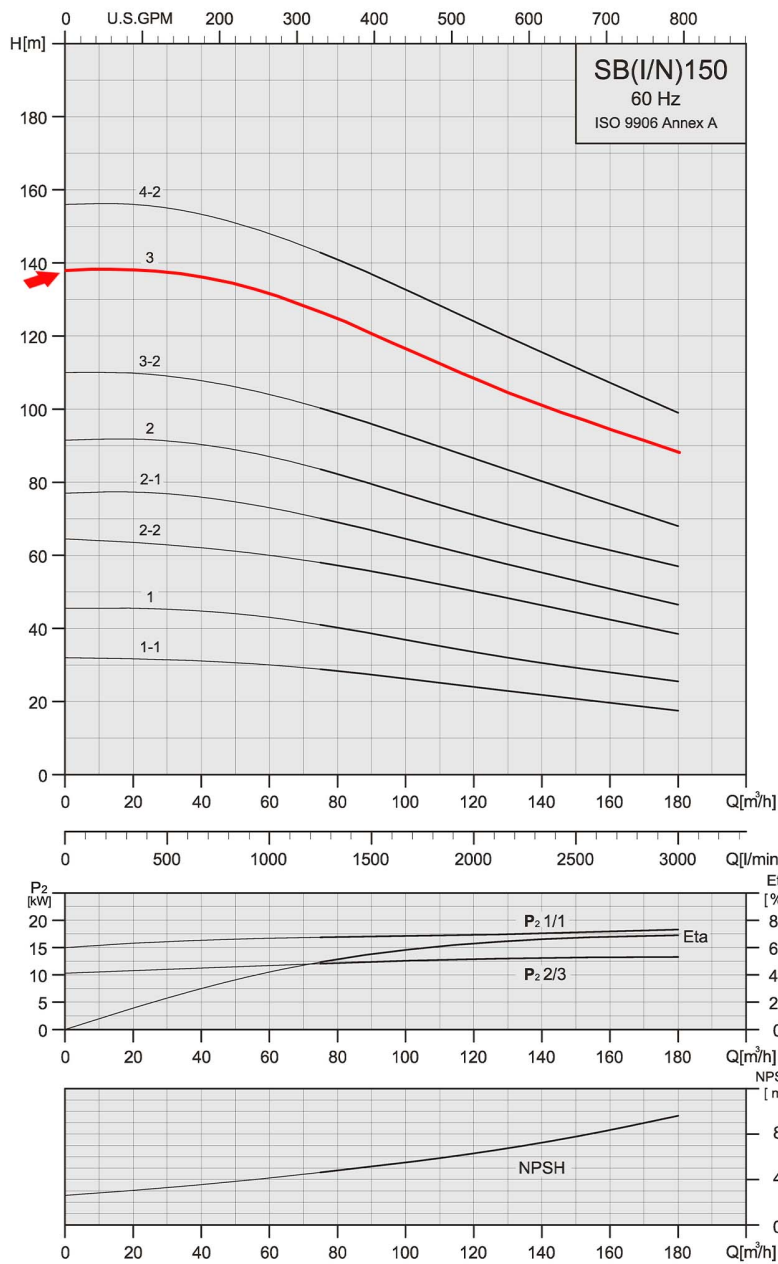
Receiver

From

Company name
Respons. Department
Person in charge
Phone number
Fax no
E-mail address

--	--

Model	Port Size (in.)		Flow	HP	Volts	Amps	Phase	Max. Head	Max. Suction	Max. PSI
	DNA	DNM	GPH		V	I Max.	Ph	Ft.	Ft.	
SBN 150-3	5	5	47700	100	230/460	224/112	Three	455	17	200



Project	Project ID	Created by	Created on	Last update
---------	------------	------------	------------	-------------



Parts and Materials

Vertical Multistage Pump Nema - SBN 150-3

Revision no.	Page:
	3

	Receiver	From
Company name		
Respons. Department		
Person in charge		
Phone number		
Fax no		
E-mail address		

Parts List	Material	Standard
36 Pump Head	Stainless Steel	AISI 316
53 Motor Bracket (15~60HP)	Cast Iron	ASTM 35B
	(75~100HP)	Cast Iron
17 Bearing Ring	PTFE	
18 Impeller	Stainless Steel	AISI 316
37 Shaft	Stainless Steel	AISI 316
48 Outer Sleeve	Stainless Steel	AISI 316
82 O-ring for Outer Sleeve	EPDM	
12 Chamber	Stainless Steel	AISI 316
24 Neck Ring	PTFE	
59 Base	Stainless Steel	AISI 316
62 Base Plate	Cast Iron	ASTM 65-45-12
62A Base Plate	Cast Iron	ASTM 65-45-12
57 Mechanical Seal	Cartridge Type	
42 Bottom Bearing Ring	SiC	

Project	Project ID	Created by	Created on	Last update
---------	------------	------------	------------	-------------



Technical Data - Motor

Vertical Multistage Pump Nema - SBN 150-3

Revision no. _____

Page: 4

	Receiver	From
Company name		
Respons. Department		
Person in charge		
Phone number		
Fax no		
E-mail address		

Product line : W22 NEMA Premium Efficiency Three-Phase Product code : 5160366
 Catalog # : 10036ET3E405TSC-W22

Frame : 404/5TS Output : 100 HP (75 kW) Poles : 2 Frequency : 60 Hz Rated voltage : 230/460 V Rated current : 224/112 A L. R. Amperes : 1456/728 A LRC : 6.5x(Code G) No load current : 52.0/26.0 A Rated speed : 3545 rpm Slip : 1.53 % Rated torque : 20.5 kgfm Locked rotor torque : 240 % Breakdown torque : 260 % Insulation class : F Service factor : 1.25 Moment of inertia (J) : 0.5561 kgm ² Design : B	Locked rotor time : 25s (cold) 14s (hot) Temperature rise : 80 K Duty cycle : Cont.(S1) Ambient temperature : -20°C to +40°C Altitude : 1000 m.a.s.l. Protection degree : IP55 Cooling method : IC411 - TEFC Mounting : F-1 Rotation ¹ : Both (CW and CCW) Noise level ² : 79.0 dB(A) Starting method : Direct On Line Approx. weight ³ : 503 kg
---	--

	25%	50%	75%	100%	
Output					Foundation loads
Efficiency (%)	0.000	93.0	94.1	94.1	Max. traction : 272 kgf
Power Factor	0.00	0.83	0.88	0.89	Max. compression : 775 kgf

	<u>Drive end</u>	<u>Non drive end</u>
Bearing type	6314 C3	6314 C3
Sealing	WSeal	WSeal
Lubrication interval	4000 h	4000 h
Lubricant amount	27 g	27 g
Lubricant type	Mobil Polyrex EM	

Notes:
 USABLE @208V 243A SF 1.10 SFA 268A

This revision replaces and cancel the previous one, which must be eliminated. (1) Looking the motor from the shaft end. (2) Measured at 1m and with tolerance of +3dB(A). (3) Approximate weight subject to changes after manufacturing process. (4) At 100% of full load.	These are average values based on tests with sinusoidal power supply, subject to the tolerances stipulated in NEMA MG-1.
--	--

Project	Project ID	Created by	Created on	Last update



Dimensions and Nameplate

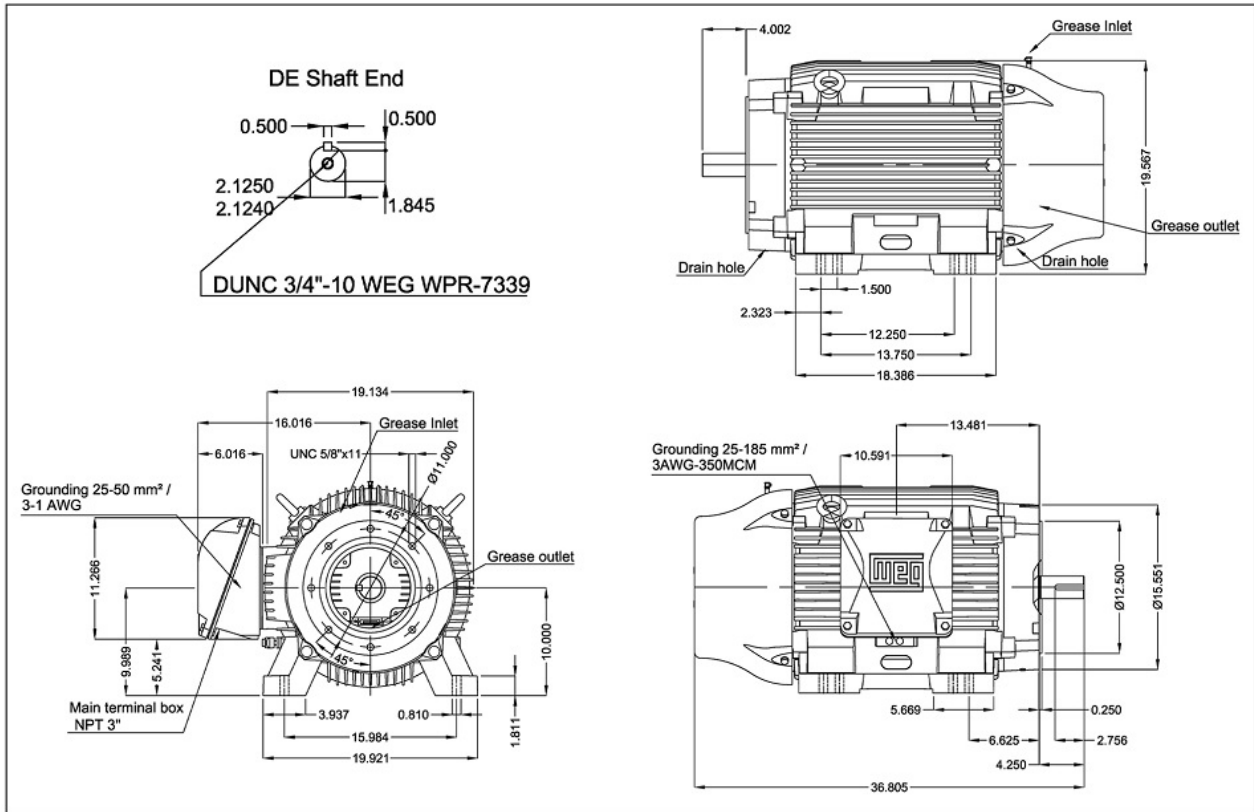
Vertical Multistage Pump Nema - SBN 150-3

Revision no. _____

Page: 5

	Receiver	From
Company name		
Respons. Department		
Person in charge		
Phone number		
Fax no		
E-mail address		

Motor Dimensions:



Motor Nameplate:

MADE IN MEXICO
11165996

MODEL 10036ET3E40STSE W22

FOR SAFE AREA Mod. TE1BF0XON CC029A

For use on 60Hz
Class I, Div 2, Gr A, B, C and D - T3
Class I, Zone 2, IIC - T3
Class II, Div 2, Gr F and G - T4
For use on PWM: Gr. A, B, C, D and F,
VT 1000-1, CT 20-1, 1.00SF - TSA

<p>Inverter Duty Motor Severe Duty</p> <p>PH3 60Hz Fr. 404/5TS 1000m.a.s.l. IP55 TEFC 11561b</p> <p>V 230/460 A 224/112</p> <p>HP 100 kW 75</p> <p>SF 1.25 SFA 280/140</p> <p>RPM 3545 PF 0.89</p> <p>AMB 40°C INS cl. F DT80K NEMA NOM EFF 94.1%</p> <p>DUTY CONT. DES B Code G</p>	<p>→ 6314-C3 (27g)</p> <p>→ 6314-C3 (27g)</p> <p>MOBIL POLYREX EM (4000h)</p>
<p>75HP 55kW 50Hz 380V 99.6A 2955RPM SF 1.00 EFF 94.3% (IE3)</p>	

Project	Project ID	Created by	Created on	Last update
---------	------------	------------	------------	-------------