



Technical Data - Pump

Vertical Multistage Pump Nema - SBN 45-2

Revision no.

Page:
 1

	Receiver	From
Company name		
Respons. Department		
Person in charge		
Phone number		
Fax no		
E-mail address		

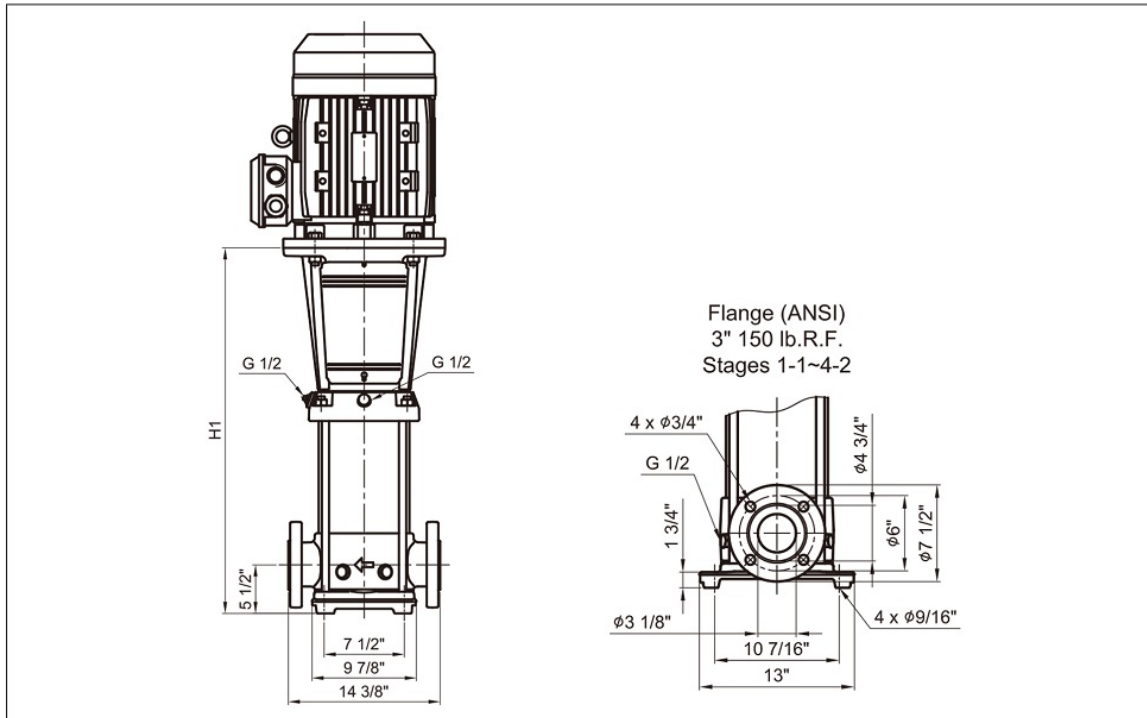


Pump Brand: Gol Pumps
Model: SBN 45-2

Motor Brand: WEG
Model: 01536ET3ER254TC-S



Pump Dimensions:



Pump Installation Size (inch)				
ANSI Flange	Port Size		NEMA Frame TEFC motors	Net Weight
	DNA	DNM		Lb.
H1	3	3	254/6TC	153.8

Project	Project ID	Created by	Created on	Last update
---------	------------	------------	------------	-------------



Performance Curves

Vertical Multistage Pump Nema - SBN 45-2

Revision no. _____

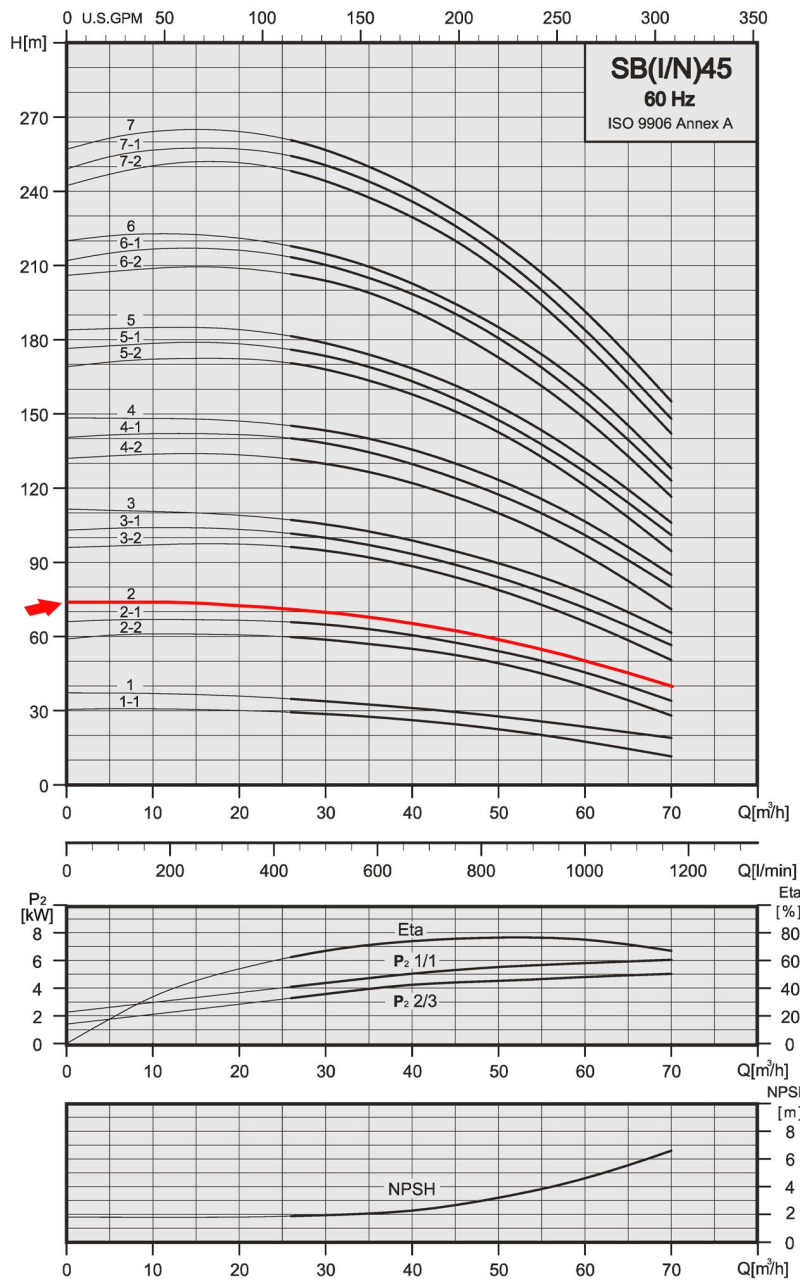
Page: 2

Receiver _____

From _____

Company name _____
 Respons. Department _____
 Person in charge _____
 Phone number _____
 Fax no _____
 E-mail address _____

Model	Port Size (in.)		Flow	HP	Volts	Amps	Phase	Max. Head	Max. Suction	Max. PSI
	DNA	DNM	GPH		V	I Max.	Ph	Ft.	Ft.	
SBN 45-2	3	3	18600	15	230/460	34.8/17.4	Three	245	17	108.8



Project _____	Project ID _____	Created by _____	Created on _____	Last update _____
---------------	------------------	------------------	------------------	-------------------



Parts and Materials

Vertical Multistage Pump Nema - SBN 45-2

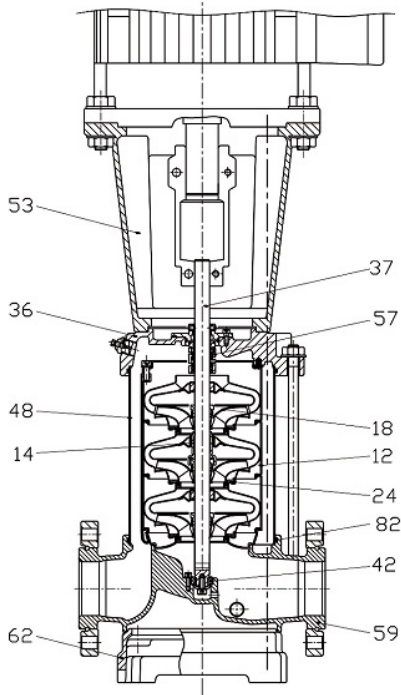
Revision no.

Page:
 3

Receiver

From

Company name
 Respons. Department
 Person in charge
 Phone number
 Fax no
 E-mail address



Parts List	Material	Standard
36 Pump Head	Stainless Steel	AISI 316
53 Motor Bracket	Cast Iron	ASTM 35B
18 Impeller	Stainless Steel	AISI 316
37 Shaft	Stainless Steel	AISI 316
48 Outer Sleeve	Stainless Steel	AISI 316
82 O-ring for Outer Sleeve	EPDM	
12 Chamber	Stainless Steel	AISI 316
24 Neck Ring	Carbon Fiber + POB + PTFE	
59 Base	Stainless Steel	AISI 316
62 Base Plate	Cast Iron	ASTM 35B
57 Mechanical Seal	Cartridge Type	
14 Bearing Ring	POB + Graphite + PTFE	
42 Bottom Bearing Ring	Tungsten Carbide	

Project	Project ID	Created by	Created on	Last update
---------	------------	------------	------------	-------------



Technical Data - Motor

Vertical Multistage Pump Nema - SBN 45-2

Revision no.

Page:
4

Receiver	From
----------	------

Company name
 Respons. Department
 Person in charge
 Phone number
 Fax no
 E-mail address

Product line : Rolled Steel NEMA Premium Efficiency Three-Phase Product code : 13041121
 Catalog # : 01536ET3ER254TC-S

Frame : 254/6TC
 Output : 15 HP (11 kW)
 Poles : 2
 Frequency : 60 Hz
 Rated voltage : 230/460 V
 Rated current : 34.8/17.4 A
 L. R. Amperes : 237/118 A
 LRC : 6.8x(Code G)
 No load current : 13.0/6.50 A
 Rated speed : 3525 rpm
 Slip : 2.08 %
 Rated torque : 22.3 ft.lb
 Locked rotor torque : 200 %
 Breakdown torque : 300 %
 Insulation class : F
 Service factor : 1.15
 Moment of inertia (J) : 0.8718 sq.ft.lb
 Design : B

Locked rotor time : 25s (cold) 14s (hot)
 Temperature rise : 80 K
 Duty cycle : Cont.(S1)
 Ambient temperature : -20°C to +40°C
 Altitude : 1000 m.a.s.l.
 Protection degree : IP55
 Cooling method : IC411 - TEFC
 Mounting : F-1
 Rotation¹ : Both (CW and CCW)
 Noise level² : 75.0 dB(A)
 Starting method : Direct On Line
 Approx. weight³ : 201 lb

Output	25%	50%	75%	100%
Efficiency (%)	89.2	89.5	91.0	91.0
Power Factor	0.47	0.73	0.83	0.87

Foundation loads
 Max. traction : 221 lb
 Max. compression : 422 lb

	<u>Drive end</u>	<u>Non drive end</u>
Bearing type :	6309 Z C3	6208 Z C3
Sealing :	V'Ring	Without Bearing Seal
Lubrication interval :	15797 h	20000 h
Lubricant amount :	13 g	8 g
Lubricant type :	Mobil Polyrex EM	

Notes:
 USABLE @208V 38.5A SF 1.00 SFA 38.5A

This revision replaces and cancel the previous one, which must be eliminated.
 (1) Looking the motor from the shaft end.
 (2) Measured at 1m and with tolerance of +3dB(A).
 (3) Approximate weight subject to changes after manufacturing process.
 (4) At 100% of full load.

These are average values based on tests with sinusoidal power supply, subject to the tolerances stipulated in NEMA MG-1.

Project	Project ID	Created by	Created on	Last update
---------	------------	------------	------------	-------------



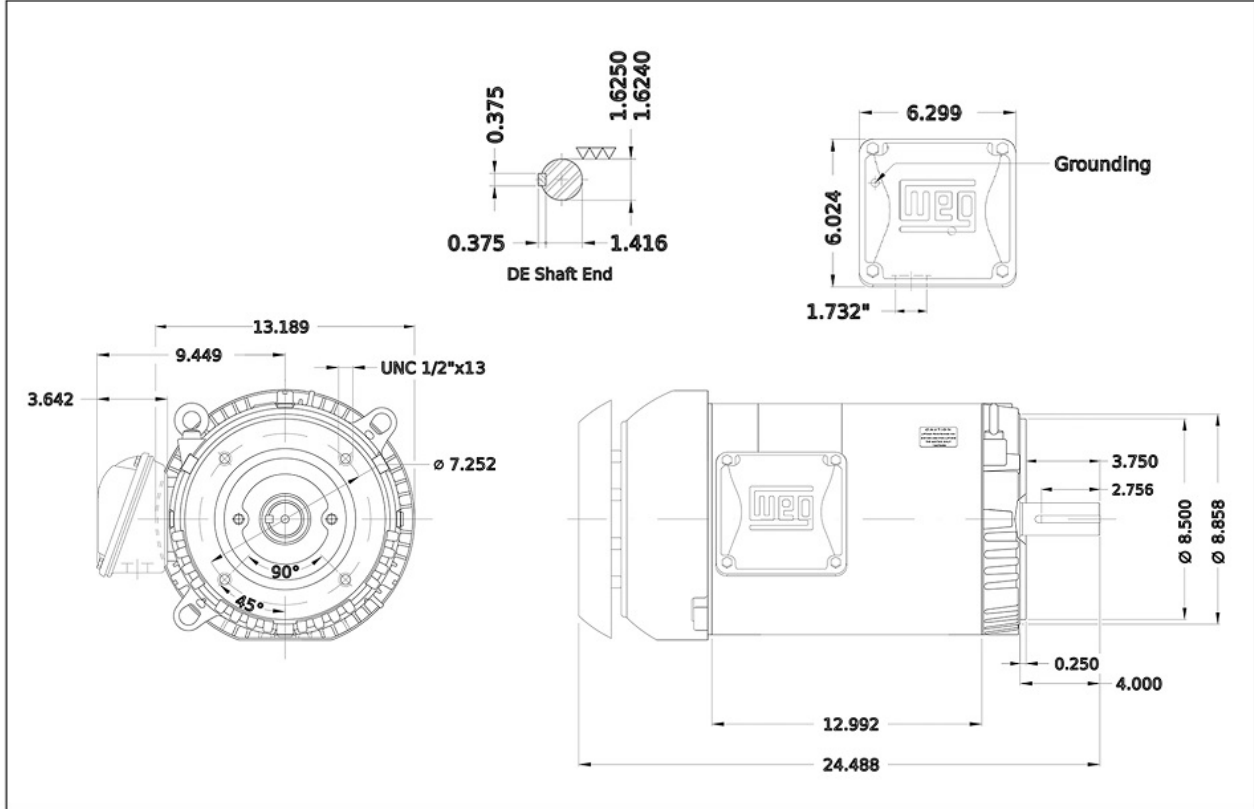
Dimensions and Nameplate

Vertical Multistage Pump Nema - SBN 45-2

Revision no. _____
Page: 5

	Receiver	From
Company name		
Respons. Department		
Person in charge		
Phone number		
Fax no		
E-mail address		

Motor Dimensions:



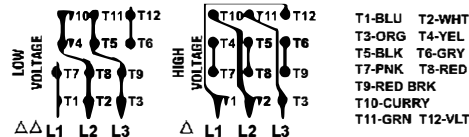
Motor Nameplate:



MADE IN MEXICO
MAT: 13041121 CC029A
W01.TE01C0X0N
MODEL 01536ET3ER254TC-S

For 60Hz: Class I, Zone 2, IIC
 Class I, Div.2, Gr. A,B,C,D - T3
 Div 2 Inverter Duty (SF 1.00)
 CT 2-1/VT 1000-1

PH 3	Hz 60	HP 15	
FR 254/6TC		kW 11	
DUTY CONT.		V 230/460	
ALT 1000 m.a.s.l		A 34.8/17.4	
INS CL F AT 80K	IP55	SFA 40.0/20.0	
AMB 40°C	IDES B	SF 1.15	
ENCL TEFC	ICODE G	PF 0.87	
		RPM 3525	
		NEMA NOM. EFF 91.0%	
ALTERNATE RATING: 12.5HP 50Hz 190-220/380-415V SF 1.00			
35.4-31.3/17.7-16.6A 2920RPM EFF 89.8% (IE2) IEC 60034-1			
For safe area-inverter duty motor For 80Hz use on VPWM 1000:1 VT, 10:1 CT			
DE 6309-Z-C3	IODE 6208-Z-C3	MOBIL POLYREX EM	15797h



INTERCHANGE ANY TWO LINE WIRES TO REVERSE THE ROTATION

WARNING: Motor must be grounded in accordance with local and national electrical codes to prevent serious electrical shocks. Disconnect power source before servicing unit.

AVERTISSEMENT: Le moteur doit être mis à la terre conformément aux codes électriques locaux et nationaux afin d'éviter tout choc électrique grave. Déconnectez l'alimentation avant l'entretien de la machine.

Project	Project ID	Created by	Created on	Last update
---------	------------	------------	------------	-------------