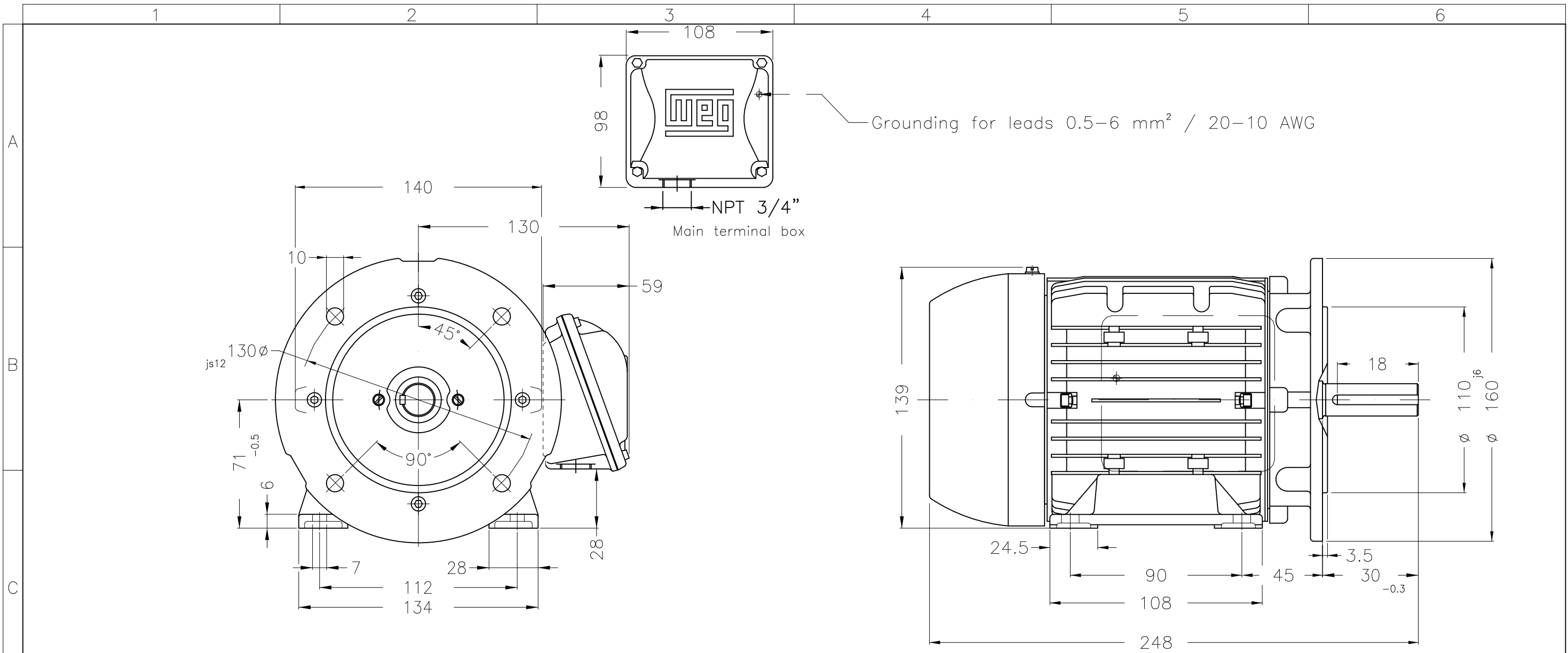


DATA SHEET

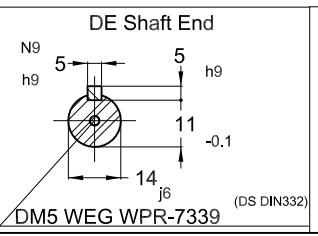


Three Phase Induction Motor - Squirrel Cage

Customer :					
Product line : Multimounting High Efficiency Three-Phase		Product code : 14051983			
		Catalog # : .5536EP3EAL71FF-W22			
Frame	: 71	Locked rotor time	: 12s (cold) 7s (hot)		
Output	: 0.75 HP (0.55 kW)	Temperature rise	: 80 K		
Poles	: 2	Duty cycle	: S1		
Frequency	: 60 Hz	Ambient temperature	: -20°C to +40°C		
Rated voltage	: 230/460 V	Altitude	: 1000 m.a.s.l.		
Rated current	: 2.28/1.14 A	Protection degree	: IP55		
L. R. Amperes	: 15.5/7.75 A	Cooling method	: IC411 - TEFC		
LRC	: 6.8	Mounting	: B35L(E)		
No load current	: 1.20/0.600 A	Rotation ¹	: Both (CW and CCW)		
Rated speed	: 3420 rpm	Noise level ²	: 60.0 dB(A)		
Slip	: 5.00 %	Starting method	: Direct On Line		
Rated torque	: 1.15 ft.lb	Approx. weight ³	: 20.9 lb		
Locked rotor torque	: 270 %				
Breakdown torque	: 270 %				
Insulation class	: F				
Service factor	: 1.15				
Moment of inertia (J)	: 0.0107 sq.ft.lb				
Design	: N				
Output	25%	50%	75%	100%	
Efficiency (%)	70.7	72.0	75.0	76.0	
Power Factor	0.36	0.60	0.72	0.80	
Foundation loads					
Max. traction : 23 lb					
Max. compression : 44 lb					
		<u>Drive end</u>	<u>Non drive end</u>		
Bearing type	:	6202 ZZ	6202 ZZ		
Sealing	:	Oil Seal	Oil Seal		
Lubrication interval	:	-	-		
Lubricant amount	:	-	-		
Lubricant type	:	Mobil Polyrex EM			
Notes:					
This revision replaces and cancel the previous one, which must be eliminated. (1) Looking the motor from the shaft end. (2) Measured at 1m and with tolerance of +3dB(A). (3) Approximate weight subject to changes after manufacturing process. (4) At 100% of full load.			These are average values based on tests with sinusoidal power supply, subject to the tolerances stipulated in NEMA MG-1.		
Rev.	Changes Summary		Performed	Checked	Date
Performed by					
Checked by				Page	Revision
Date	27/12/2023			1 / 1	



Bearing cap
Color RAL 7022
Painting plan 207N
Mounting B35L(E)



0.75 HP 02 Poles 60 Hz						A			
HYBRISUSER						00			
ECM	LOC	SUMMARY OF MODIFICATIONS			EXECUTED	CHECKED	RELEASED	DATE	VER
EXECUTED	HYBRISUSER	THREE PH. MOTOR MULTIMOUNTIN HIGH EFF.			PREVIEW				
CHECKED		FRAME 71 IP55 TEFC			WDD 00				
RELEASED					SHEET		1 / 1		
REL. DATE		WMO	Jaragua do Sul	Product Engineering					

Dimensions in mm



W21 Tru-metric

MODEL .5536EP3EAL71FF-W22

Electric Motor
Severe Duty



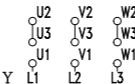
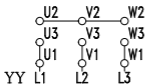
Class Div 2, Gr A, B, C and D - T3C
Class Zone 2, IIC - T3C
Class II, Div 2, Gr F - T3C

FOR SAFE AREA
Mod. TE01A0X0H
Type ET



PH3 Fr. AL71 DUTY CONT. IP55 DES N Code K IEC 60034-1
1000m.a.s.l. INS cl. F DT 80K AMB 40°C SF 1.15

V		Hz	kW	HP	RPM	A		SFA		PF	IE code	NEMA NOM EFF η 100%/75%/50%
230YY	460Y	60	0.55	0.75	3420	2.28	1.14	2.62	1.31	0.80	IE2	76.0/75.0/72.0
-	380Y	50	0.55	0.75	2750	-	1.31	-	1.31	0.85	IE2	75.0/74.0/73.0
-	415Y	50	0.55	0.75	2820	-	1.26	-	1.26	0.80	IE2	76.0/74.0/72.0
-	-	-	-	-	-	-	-	-	-	-	-	-



MOBIL POLYREX EM

MADE IN BRAZIL
14051983