



Technical Data

Submersible Pump - GST 35-06

Revision no.

Page:

1

Receiver

From

 Company name
 Respons. Department
 Person in charge
 Phone number
 Fax no
 E-mail address

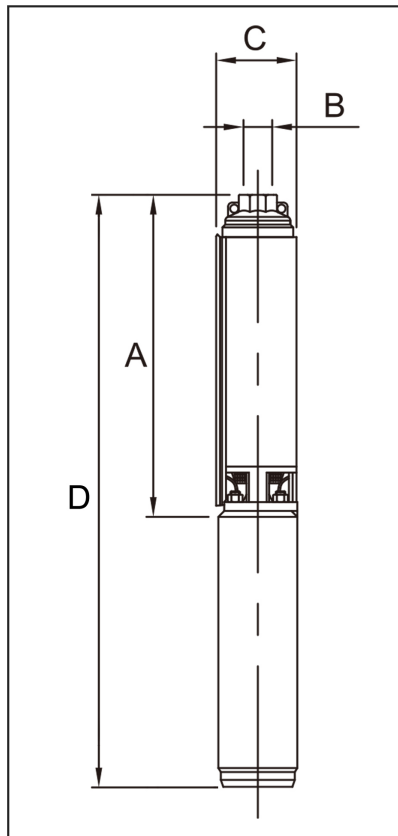


Brand: Gol Pumps
Model: GST 35-06

Weight (lb)		
Pump	Motor	Pump + Motor
7.5	25.3	32.8

Cable	
Length (Ft)	AWG
3.9	14

Dimensions:



Outlet	Motor Dia.	Dimensions (inch)			
		A	B	C	D
NPT 2"	4"	14.1"	2"	3.9"	29"

Project

Project ID

Created by

Created on

Last update



Performance Curves

Submersible Pump - GST 35-06

Revision no.

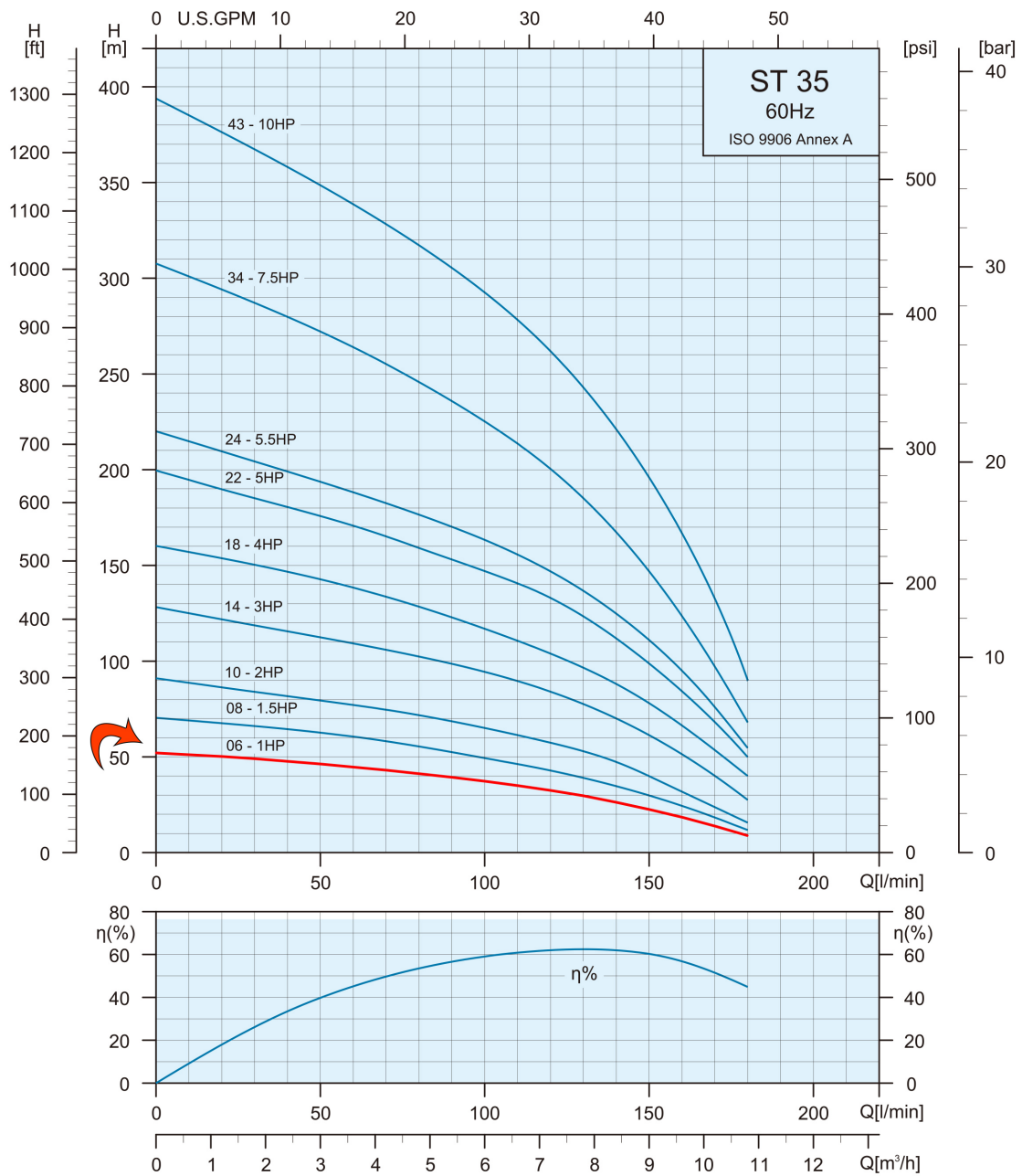
Page:
2

Receiver

From

Company name
Respons. Department
Person in charge
Phone number
Fax no
E-mail address

Pump Model	Motor		Q Capacity 3500RPM										
	kW	HP	Gal/Min	0	15.9	18.5	21.2	23.8	26.4	31.7	37	42.3	47.6
GST 35-06	0.75	1	Head in Feet	170.6	144.4	141.2	137.8	131.2	124.7	108.3	88.6	59.1	29.5



Project	Project ID	Created by	Created on	Last update
---------	------------	------------	------------	-------------



Part List and Materials Submersible Pump - GST 35-06

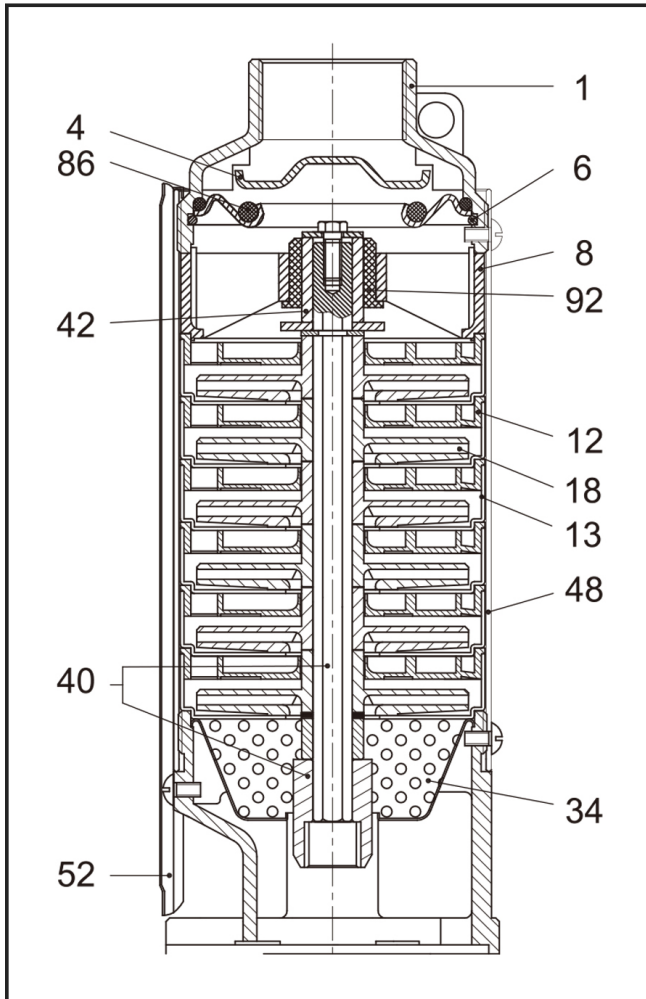
Revision no. _____

Page:
3

Receiver _____ From _____

Company name _____
 Respons. Department _____
 Person in charge _____
 Phone number _____
 Fax no _____
 E-mail address _____

Motor Model	P2		S.F	Voltage	Phase	Wire	In	Imax	Istart	PF (%)		Efficiency (%)		RPM	Thrust	Capacitor
	kW	HP		V	PH		A	A	A	Allowable Load	Overload Factor	Allowable Load	Overload Factor		N	UF
	4CS3526M	0.75		1	1.4		230	Single	2	5.4	6.8	24.2	0.97		0.98	62.7



No.	Part Name	Materials
1	Discharge Head	AISI 304
4	Check Valve Cone	AISI 304
6	Check Valve Retaining Ring	AISI 304
8	Bearing Spider	Glass Filled Polycarbonate
12	Diffuser	Glass Filled Polycarbonate
13	Bowl	AISI 304
18	Impeller	Noryl
34	Strainer	AISI 304
40	Pump Shaft / Coupling	AISI 304
42	Shaft Sleeve	AISI 304 or Norly
48	Pump Casing	AISI 304
52	Cable Guard	AISI 304
86	O-Ring	NBR
92	Bearing	Polyacetal

Project _____	Project ID _____	Created by _____	Created on _____	Last update _____
---------------	------------------	------------------	------------------	-------------------